

WURTH ELECTRONICS SMD Inductors



NEW FROM WURTH

Inductors

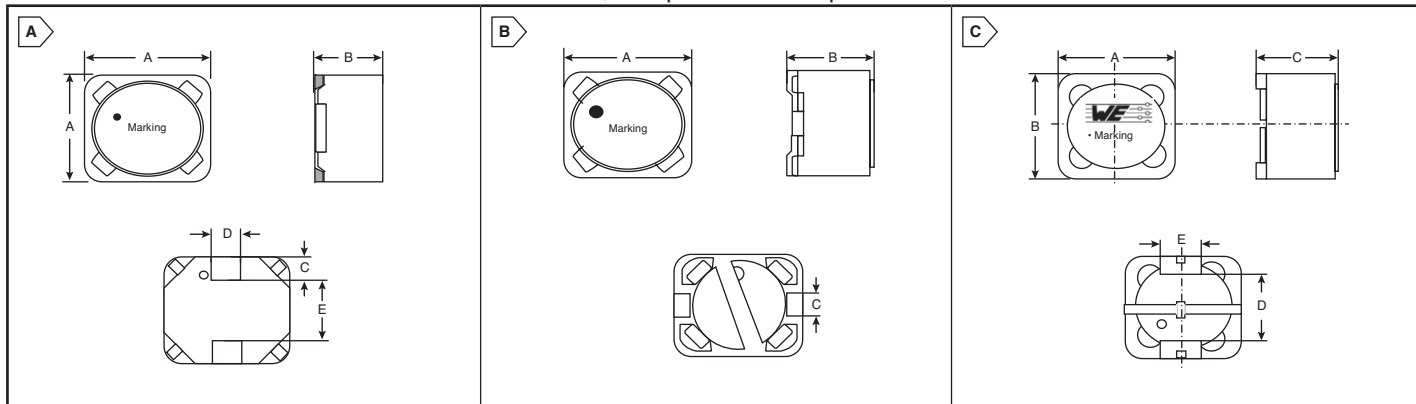
Wurth Electronics

NEW FROM WURTH

NEW FROM WURTH

NEW FROM WURTH

RoHS Compliant This product is RoHS compliant.



POWER INDUCTORS WE-PD

Characteristics:

- Magnetically shielded version which results in a low leakage field
- High storage capacity
- Low self-losses
- Highest possible current loading for SMD Inductors
- Operating temperature: -40°C to +125°C
- Recommended solder profile: Reflow

Applications:

- Switching regulators with low operating voltages (computer, laptop, mobile phones, pagers)
- Integrated DC/DC-converter
- Perfectly suitable for switching regulators with extremely high efficiency (> 86%)
- Graphic cards
- Plastic base: Because of the one piece construction these are more suitable for high vibration or shock applications

Size	Dimensions: mm					Base
	A	B	C	D	E	
7332	7.3	3.2	1.5	1.5	4.0	Plastic
7345	7.3	4.5	1.5	1.5	4.0	Plastic
7345	7.3	4.5	2.0	-	-	Metal
1260	12.0	12.0	6.0	8.0	5.0	Plastic

7332

For quantities greater than listed, call for quote.

MOUSER STOCK NO.	Wurth Electronics Part No.	Fig.	Base	Inductance (µH)	Rated Current (A)	Saturation Current (A)	DC Resist. (Ω)	DC Resist. Typical (Ω)	Self Resonant Freq. (MHz)	Price Each			Reel Qty.	Price per Piece
										1	25	100		
710-7447789001	7447789001	A	Plastic	1.0	5.37	6.4	0.012	0.01	42	2.34	2.22	2.15	1000	1.68
710-7447789002	7447789002	A	Plastic	2.2	4.02	4.8	0.02	0.019	36	2.34	2.22	2.15	1000	1.68
710-7447789003	7447789003	A	Plastic	3.3	3.42	4.2	0.03	0.024	33	2.34	2.22	2.15	1000	1.68
710-7447789004	7447789004	A	Plastic	4.7	2.9	3.9	0.035	0.033	30	2.34	2.22	2.15	1000	1.68
710-7447789006	7447789006	A	Plastic	6.8	2.5	2.75	0.044	0.042	26	2.34	2.22	2.15	1000	1.68
710-744778910	744778910	A	Plastic	10	1.83	2.2	0.072	0.064	23	2.34	2.22	2.15	1000	1.68
710-7447789112	7447789112	A	Plastic	12	1.73	1.9	0.098	0.076	22	2.34	2.22	2.15	1000	1.68
710-7447789118	7447789118	A	Plastic	18	1.41	1.7	0.14	0.114	19.6	2.34	2.22	2.15	1000	1.88
710-7447789122	7447789122	A	Plastic	22	1.38	1.4	0.019	0.119	18	2.34	2.22	2.15	1000	1.68
710-7447789133	7447789133	A	Plastic	33	1.22	1.15	0.024	0.153	15.6	2.34	2.22	2.15	1000	1.68
710-7447789139	7447789139	A	Plastic	39	1.03	1.1	0.32	0.209	15	2.34	2.22	2.15	1000	1.68
710-7447789147	7447789147	A	Plastic	47	0.85	1.0	0.36	0.315	13	2.34	2.22	2.15	1000	1.68
710-7447789156	7447789156	A	Plastic	56	0.84	0.9	0.47	0.335	11	2.34	2.22	2.15	1000	1.68
710-7447789168	7447789168	A	Plastic	68	0.74	0.84	0.52	0.427	10.2	2.34	2.22	2.15	1000	1.68
710-7447789182	7447789182	A	Plastic	82	0.69	0.78	0.69	0.47	8.1	2.34	2.22	2.15	1000	1.68
710-744778920	744778920	A	Plastic	100	0.62	0.76	0.79	0.585	7	2.34	2.22	2.15	1000	1.68

7345

For quantities greater than listed, call for quote.

MOUSER STOCK NO.	Wurth Electronics Part No.	Fig.	Base	Inductance (µH)	Rated Current (A)	Saturation Current (A)	DC Resist. (Ω)	DC Resist. Typical (Ω)	Self Resonant Freq. (MHz)	Price Each			Reel Qty.	Price per Piece
										1	25	100		
710-7447779001	7447779001	A	Plastic	1.0	5.3	9.5	0.011	0.01	49	2.26	2.13	1.87	1000	1.77
710-7447779002	7447779002	A	Plastic	2.2	4.2	6.0	0.018	0.015	45	2.26	2.13	1.87	1000	1.77
710-7447779003	7447779003	A	Plastic	3.3	3.3	4.5	0.03	0.026	38	2.26	2.13	1.87	1000	1.77
710-7447779004	7447779004	A	Plastic	4.7	3.16	4.4	0.032	0.028	35	2.26	2.13	1.87	1000	1.77
710-744777910	744777910	A	Plastic	10	2.0	2.6	0.049	0.045	23	2.26	2.13	1.87	1000	1.77
710-744777910	744777910	B	Metal	10	2.0	2.6	0.049	0.045	23	2.26	2.13	1.87	1000	1.77
710-7447779112	7447779112	A	Plastic	12	1.82	2.4	0.058	0.05	21	2.26	2.13	1.87	1000	1.77
710-7447779118	7447779118	A	Plastic	18	1.5	2.05	0.091	0.08	17	2.26	2.13	1.87	1000	1.77
710-7447779122	7447779122	A	Plastic	22	1.41	1.7	0.11	0.09	15	2.26	2.13	1.87	1000	1.77
710-7447779133	7447779133	A	Plastic	33	1.13	1.4	0.17	0.14	12	2.26	2.13	1.87	1000	1.77
710-7447779139	7447779139	A	Plastic	39	1.13	1.4	0.17	0.14	12	2.26	2.13	1.87	1000	1.77
710-7447779147	7447779147	A	Plastic	47	1.03	1.1	0.26	0.19	10	2.26	2.13	1.87	1000	1.77
710-7447779168	7447779168	A	Plastic	68	0.87	0.95	0.38	0.239	9	2.26	2.13	1.87	1000	1.77
710-7447779182	7447779182	A	Plastic	82	0.84	0.9	0.43	0.25	8	2.26	2.13	1.87	1000	1.77
710-744777920	744777920	A	Plastic	100	0.79	0.75	0.38	0.29	7	2.26	2.13	1.87	1000	1.77

1260

For quantities greater than listed, call for quote.

MOUSER STOCK NO.	Wurth Electronics Part No.	Fig.	Base	Inductance (µH)	Rated Current (A)	Saturation Current (A)	DC Resist. (Ω)	DC Resist. Typical (Ω)	Self Resonant Freq. (MHz)	Price Each			Reel Qty.	Price per Piece
										1	25	100		
710-744771001	744771001	C	Metal	1.5	10.5	12.5	0.006	0.004	60	2.36	2.27	2.20	500	2.20
710-744771002	744771002	C	Metal	2.2	10.0	11.0	0.008	0.005	50	2.36	2.27	2.20	500	2.20
710-744771003	744771003	C	Metal	3.5	9.25	9.0	0.0075	0.005	40	2.36	2.27	2.20	500	2.20
710-744771004	744771004	C	Metal	4.7	8.25	8.0	0.0106	0.008	35	2.36	2.27	2.20	500	2.20
710-744771008	744771008	C	Metal	8.2	6.25	6.25	0.02	0.014	25	2.36	2.27	2.20	500	2.20
710-74477110	74477110	C	Metal	10	5.0	5.5	0.025	0.018	21.5	2.36	2.27	2.20	500	2.20
710-744771112	744771112	C	Metal	12	3.91	4.85	0.027	0.023	19.7	2.36	2.27	2.20	500	2.20
710-744771118	744771118	C	Metal	18	3.48	4.3	0.034	0.029	14.3	2.36	2.27	2.20	500	2.20
710-744771122	744771122	C	Metal	22	3.37	3.77	0.036	0.031	13	2.36	2.27	2.20	500	2.20
710-744771133	744771133	C	Metal	33	2.68	3.0	0.057	0.049	10	2.36	2.27	2.20	500	2.20
710-744771139	744771139	C	Metal	39	2.49	2.74	0.068	0.057	9	2.36	2.27	2.20	500	2.20
710-744771147	744771147	C	Metal	47	2.21	2.6	0.075	0.072	8	2.36	2.27	2.20	500	2.20
710-744771156	744771156	C	Metal	56	2.01	2.35	0.11	0.087	7	2.36	2.27	2.20	500	2.20
710-744771168	744771168	C	Metal	68	1.91	2.19	0.12	0.096	6	2.36	2.27	2.20	500	2.20
710-744771182	744771182	C	Metal	82	1.65	1.88	0.14	0.129	5.2	2.36	2.27	2.20	500	2.20
710-74477120	74477120	C	Metal	100	1.53	1.7	0.016	0.15	4.9	2.36	2.27	2.20	500	2.20