

WURTH ELECTRONICS Inductors and Ferrites



RoHS Compliant This product is RoHS compliant.

WE-FLAT FLAT FERRITE CORE

- Features:**
- Filter for common mode interferences
 - Also available with adhesive tape
 - Operating temperature: -25°C to +125°C

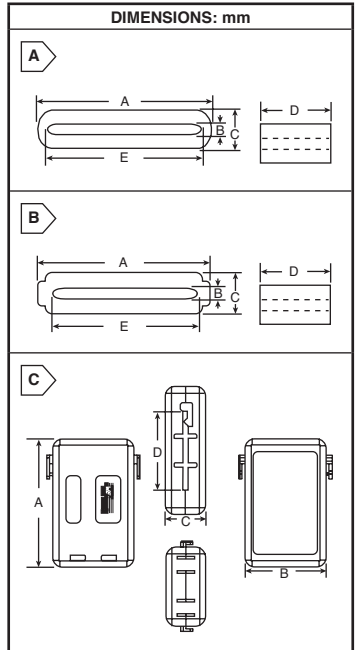
- Applications:**
- Interference problems on data lines of digital devices



RoHS Compliant

For quantities greater than listed, call for quote.

MOUSER STOCK NO.	Wurth Part No.	Fig.	Z @ 25MHz 1 turn (Ω)	Z @ 100MHz 1 turn (Ω)	Number of Poles	Version	Material	A (mm)	B (mm)	C (mm)	D (mm)	E (mm)	Price Each			
													1	10	25 100	
710-7427221	7427221	A	50	166	10	Round	3 W 800	18.0	8.0	5.0	1.0	14.0	4.08	3.54	3.22	3.04
710-7427226	7427226	A	30	75	13	Round	4 W 620	23.8	12.0	6.6	1.1	18.8	3.60	3.45	3.39	3.24
710-7427224	7427224	B	55	115	16	Edged	4 W 620	28.0	14.6	7.7	1.5	23.0	3.99	3.82	3.76	3.60
710-7427220	7427220	A	50	90	21	Round	4 W 620	33.5	20.0	6.5	1.3	28.0	4.59	4.55	4.50	4.47
710-7427223	7427223	A	23	48	23	Round	3 W 800	35.0	8.0	8.0	1.5	30.0	6.20	5.87	5.25	5.25
710-7427228	7427228	A	35	80	26	Round	4 W 620	41.2	15.0	7.7	1.5	35.0	5.08	4.89	4.73	4.73
710-7427214	7427214	A	26	66	30	Round	3 W 800	45.2	12.0	6.5	1.3	40.0	5.70	5.27	4.93	4.68
710-7427218	7427218	A	25	66	34	Round	4 W 620	49.6	12.0	6.5	1.3	44.0	5.37	5.29	5.20	5.12
710-7427216	7427216	A	25	63	40	Round	4 W 620	57.9	12.0	7.0	1.3	52.0	5.58	5.53	5.47	5.42



STAR-FLAT SNAP FERRITE WITH SAFETY KEY TECHNOLOGY

- Features:**
- STAR-FLAT's ribbon cable holding feature prevents sliding and cable crimping
 - The security lock guarantees electromagnetic compatibility because only authorized person can unlock the snap ferrite with the STAR-TEC key

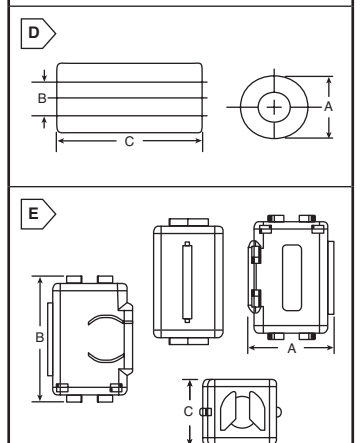
- Applications:**
- Color: Grey
 - Patented technology
 - Classification of the plastic case: UL94V0
 - Operating temperature: -25°C to +105°C
 - Safety Key: 74271



RoHS Compliant

For quantities greater than listed, call for quote.

MOUSER STOCK NO.	Wurth Part No.	Fig.	Z @ 25MHz 1 turn (Ω)	Z @ 100MHz 1 turn (Ω)	Number of Poles	Material	A (mm)	B (mm)	C (mm)	D (mm)	Price Each			
											1	50	100	500
710-7427246	7427246	C	97	194	26	4 W 620	53.3	33.1	16	34	12.77	12.26	11.53	10.78
710-7427247	7427247	C	72	192	50	4 W 620	84.5	33.1	16	64.5	25.92	24.94	24.94	24.94
710-74272475	74272475	C	42	114	50	4 W 620	84.5	19.6	16	64.5	20.90	20.51	20.00	20.00
710-7427248	7427248	C	78	180	40	4 W 620	71.3	33.1	16	52	16.32	15.69	14.62	14.62



LFS EMI SUPPRESSION AXIAL FERRITE BEADS WE-AFB

- Features:**
- Core material: MnZn for low frequency applications
 - Operating temperature: -25°C to +85°C

- Applications:**
- Especially for applications in the low frequency range from 150kHz to 30MHz
 - Suppression of electronic ballasts (i.e. neon tube) in the lighting industry



RoHS Compliant

For quantities greater than listed, call for quote.

MOUSER STOCK NO.	Wurth Part No.	Fig.	Z @ 1 MHz 1 turn (Ω)	Z @ 10MHz 1 turn (Ω)	Cable Dia. (mm)	DIMENSIONS: mm			Price Each		
						A	B	C	1	25	100
710-7427253	7427253	D	100	80	≤7.6	16.0	8.0	28.5	5.62	5.47	5.10
710-7427229	7427229	D	100	60	≤9.1	17.5	9.5	28.5	5.62	5.47	5.10
710-7427255	7427255	D	90	60	≤9.8	18.6	10.2	28.5	6.31	6.20	6.05
710-7427290	7427290	D	90	50	≤12.5	26.0	13.0	28.5	10.14	9.51	9.10

SNAP FERRITES STAR-FIX LFS

- Features:**
- With patented flexible cable fixing
 - Prefixing cable system facilitates the cable assembling process
 - Cable clamping protection
 - One key in each packaging unit
 - Classification of the plastic case: UL94-V0
 - Operating temperature: -25°C to +105°C
 - Patented technology
 - Core material: MnZn

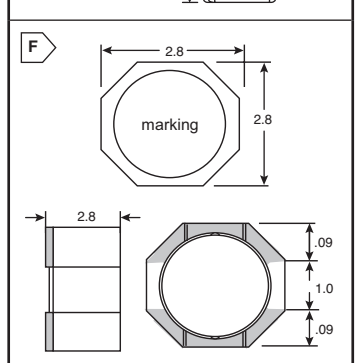
- Applications:**
- Especially for applications in the low frequency range from 300kHz to 30MHz
 - Perfect for applications with varying cable diameter
 - Reusable because of the key technology therefore perfect for test and measuring purposes and cables with difficult access
 - Suppression of electronic ballasts (i.e. neon tube) in the lighting industry



RoHS Compliant

For quantities greater than listed, call for quote.

MOUSER STOCK NO.	Wurth Part No.	Fig.	Z @ 1 MHz 1 turn (Ω)	Z @ 10MHz 1 turn (Ω)	Cable Dia. (mm)	DIMENSIONS: mm			Price Each		
						A	B	C	1	25	100
710-7427272	7427272	E	30	45	4.5 - 8.0	35.1	21.7	18.2	15.20	14.34	13.27
710-7427273	7427273	E	30	45	8.5 - 12.5	35.1	31.0	28.0	8.11	7.82	7.56



SMD SHIELDED TINY POWER INDUCTORS WE-TPC

- Features:**
- Extremely flat power inductor
 - High current capability
 - Magnetically shielded which results in a low leakage field
 - Recommended solder profile: Reflow
 - Operating temperature: -40°C to +125°C

- Applications:**
- Portable power like PDA, digital camera, PCMCIA cards and displays
 - DC/DC converter
 - Embedded PC
 - Mobile data gathering, telemetric



RoHS Compliant

For quantities greater than listed, call for quote.

MOUSER STOCK NO.	Wurth Part No.	Fig.	L (μH)	I _R (A)	I _{sat} (A)	R _{DC} (Ω)	R _{DC} typ (Ω)	f _{res} (MHz)	Price Each		
									1	25	100
2828											
710-74402500047	74402500047	F	0.47	3.30	4.70	0.023	0.019	290	1.73	1.68	1.62
710-74402500072	74402500072	F	0.72	3.00	4.00	0.028	0.024	210	1.73	1.68	1.62
710-744025001	744025001	F	1.2	2.60	3.00	0.042	0.036	180	1.73	1.68	1.62
710-744025002	744025002	F	2.2	1.80	2.40	0.066	0.057	130	1.73	1.68	1.62
710-744025003	744025003	F	3.3	1.50	1.80	0.101	0.085	100	1.73	1.68	1.62
710-744025004	744025004	F	4.7	1.35	1.70	0.120	0.100	84	1.73	1.68	1.62
710-744025006	744025006	F	6.8	1.10	1.30	0.165	0.142	59	1.73	1.68	1.62
710-744025100	744025100	F	10	1.00	1.10	0.190	0.170	41	1.73	1.68	1.62
710-744025150	744025150	F	15	0.72	0.90	0.400	0.356	32	1.73	1.68	1.62
710-744025220	744025220	F	22	0.50	0.75	0.575	0.525	23	1.73	1.68	1.62

POWER MULTILAYER INDUCTORS WE-PMI

- Features:**
- Compact multilayer type
 - Suitable for applications with high currents up to 2.5A
 - DCR values below 0.2Ω
 - Magnetically shielded construction: No cross talk
 - Operating temperature: -40°C to +125°C

- Applications:**
- DC/DC converters especially at high switching frequencies
 - Portable devices like PDA and digital cameras

DIMENSIONS: mm			
	A	B	C
0805	2.0	1.2	1.0
0806	2.0	1.6	1.0



RoHS Compliant

For quantities greater than listed, call for quote.

MOUSER STOCK NO.	Wurth Part No.	Fig.	L (μH)	I _R (A)	I _{sat} (A)	R _{DC} (Ω)	f _{res} (MHz)	Q	Price Each		
									1	25	100
0805											
710-74479775210	74479775210	G	1.0	1100	700	90	100	10	.74	.691	.621
710-74479775222	74479775222	G	2.2	700	500	270	70	12	.74	.691	.621
0806											
710-74479776222	74479776222	G	2.2	1200	400	110	75	15	.74	.691	.621
710-74479776233	74479776233	G	3.3	1100	300	130	60	15	.74	.691	.621
710-74479776247	74479776247	G	4.7	1000	250	160	45	15	.74	.691	.621

