

# TDK SMD Ferrite Core, Magnetic Shielded Chip Inductors



## MLF SERIES MLF2012 TYPE

### Features:

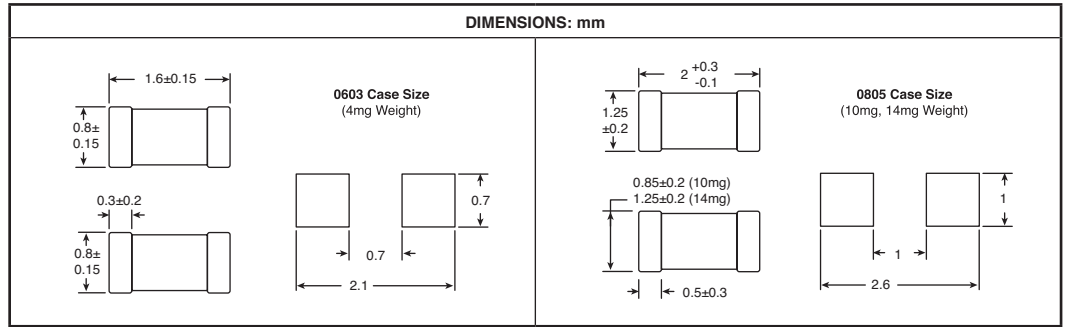
- High-reliability monolithic structure
- Ferrite core and magnetic shielding enables the design of compact circuits with high packing density
- Excellent solderability and high heat resistance permits either flow or reflow soldering
- The products contain no lead and also support lead-free soldering

### Applications:

- Digital cellular phone, car audio, TV, personal computers, or various electronic appliances

### Specifications:

- Operating Temperature Range: -25°C to +85°C
- Storage Temperature Range: -40°C to +85°C (unit of products)



For quantities greater than listed, call for quote.

MOUSER STOCK NO.	TDK Part No.	Case Size	Value (μH)	Tolerance (±)	SRF (MHz)	DCR (Ω)	Rated Current	Price Each			
								1	10	100	2000
810-MLF1608D47NM	MLF1608D47NM	0603	0.047	20%	350	0.3	50	.44	.37	.296	.129
810-MLF1608D68NM	MLF1608D68NM	0603	0.068	20%	325	0.3	50	.41	.34	.272	.119
810-MLF1608D82NM	MLF1608D82NM	0603	0.082	20%	310	0.3	50	.41	.34	.272	.119
810-MLF1608DR10K	MLF1608DR10K	0603	0.1	10%	295	0.5	50	.41	.34	.272	.119
810-MLF1608DR12K	MLF1608DR12K	0603	0.12	10%	280	0.5	50	.41	.34	.272	.119
810-MLF1608DR15K	MLF1608DR15K	0603	0.15	10%	260	0.6	50	.41	.34	.272	.119
810-MLF1608DR18K	MLF1608DR18K	0603	0.18	10%	245	0.6	50	.41	.34	.272	.119
810-MLF1608DR22K	MLF1608DR22K	0603	0.22	10%	230	0.8	50	.41	.34	.272	.119
810-MLF1608DR27K	MLF1608DR27K	0603	0.27	10%	210	0.8	50	.41	.34	.272	.119
810-MLF1608DR33K	MLF1608DR33K	0603	0.33	10%	200	0.85	35	.41	.34	.272	.119
810-MLF1608DR39K	MLF1608DR39K	0603	0.39	10%	185	1	35	.41	.34	.272	.119
810-MLF1608DR47K	MLF1608DR47K	0603	0.47	10%	170	1.35	35	.41	.34	.272	.119
810-MLF1608DR56K	MLF1608DR56K	0603	0.56	10%	155	1.55	35	.41	.34	.272	.119
810-MLF1608DR68K	MLF1608DR68K	0603	0.68	10%	140	1.7	35	.41	.34	.275	.119
810-MLF1608A1R0K	MLF1608A1R0K	0603	1	10%	105	0.6	25	.41	.34	.272	.119
810-MLF1608A1R2K	MLF1608A1R2K	0603	1.2	10%	100	0.8	25	.41	.34	.272	.119
810-MLF1608A1R5K	MLF1608A1R5K	0603	1.5	10%	90	0.8	25	.41	.34	.272	.119
810-MLF1608A1R8K	MLF1608A1R8K	0603	1.8	10%	80	0.95	25	.41	.34	.272	.119
810-MLF1608A2R2K	MLF1608A2R2K	0603	2.2	10%	75	1.15	15	.41	.34	.272	.119
810-MLF1608A2R7K	MLF1608A2R7K	0603	2.7	10%	65	1.35	15	.41	.34	.272	.119
810-MLF1608A3R3K	MLF1608A3R3K	0603	3.3	10%	60	1.55	15	.41	.34	.272	.119
810-MLF1608A3R9K	MLF1608A3R9K	0603	3.9	10%	50	1.7	15	.41	.34	.272	.119
810-MLF1608A4R7K	MLF1608A4R7K	0603	4.7	10%	47	2.1	15	.41	.34	.272	.119
810-MLF1608E5R6K	MLF1608E5R6K	0603	5.6	10%	45	1.55	5	.41	.34	.272	.119
810-MLF1608E6R8K	MLF1608E6R8K	0603	6.8	10%	40	1.7	5	.41	.34	.272	.119
810-MLF1608E8R2K	MLF1608E8R2K	0603	8.2	10%	38	2.1	5	.41	.34	.272	.119
810-MLF1608E100K	MLF1608E100K	0603	10	10%	37	1.85	3	.41	.34	.272	.119
810-MLF1608E120K	MLF1608E120K	0603	12	10%	35	2.1	3	.41	.34	.272	.119
810-MLF1608C150K	MLF1608C150K	0603	15	10%	30	1.7	1	.41	.34	.272	.119
810-MLF1608C180K	MLF1608C180K	0603	18	10%	28	1.85	1	.41	.34	.272	.119
810-MLF1608C220K	MLF1608C220K	0603	22	10%	25	2.1	1	.41	.34	.272	.119
810-MLF1608C330K	MLF1608C330K	0603	33	10%	21	2.95	1	.41	.34	.272	.119
810-MLF2012D47NM	MLF2012D47NM	0805	0.047	20%	400	0.2	300	.41	.34	.272	.119
810-MLF2012D68NM	MLF2012D68NM	0805	0.068	20%	350	0.2	300	.41	.34	.272	.119
810-MLF2012D82NM	MLF2012D82NM	0805	0.082	20%	320	0.2	300	.41	.34	.272	.119
810-MLF2012DR10K	MLF2012DR10K	0805	0.1	10%	300	0.3	250	.41	.34	.272	.119
810-MLF2012DR12K	MLF2012DR12K	0805	0.12	10%	280	0.3	250	.41	.34	.272	.119
810-MLF2012DR15K	MLF2012DR15K	0805	0.15	10%	250	0.4	250	.41	.34	.272	.119
810-MLF2012DR18K	MLF2012DR18K	0805	0.18	10%	230	0.4	250	.41	.34	.272	.119
810-MLF2012DR22K	MLF2012DR22K	0805	0.22	10%	220	0.5	250	.41	.34	.272	.119
810-MLF2012DR27K	MLF2012DR27K	0805	0.27	10%	200	0.5	250	.41	.34	.272	.119
810-MLF2012DR33K	MLF2012DR33K	0805	0.33	10%	180	0.55	250	.41	.34	.272	.119
810-MLF2012DR39K	MLF2012DR39K	0805	0.39	10%	170	0.65	200	.41	.34	.272	.119
810-MLF2012DR47K	MLF2012DR47K	0805	0.47	10%	160	0.65	200	.39	.32	.264	.114
810-MLF2012DR56K	MLF2012DR56K	0805	0.56	10%	150	0.75	150	.41	.34	.272	.119
810-MLF2012DR68K	MLF2012DR68K	0805	0.68	10%	135	0.8	150	.39	.32	.262	.114
810-MLF2012DR82K	MLF2012DR82K	0805	0.82	10%	125	1	150	.41	.34	.272	.119
810-MLF2012A1R0K	MLF2012A1R0K	0805	1	10%	105	0.4	50	.39	.32	.262	.11
810-MLF2012A1R2K	MLF2012A1R2K	0805	1.2	10%	95	0.5	50	.41	.34	.272	.119
810-MLF2012A1R5K	MLF2012A1R5K	0805	1.5	10%	85	0.5	50	.41	.34	.272	.119
810-MLF2012A1R8K	MLF2012A1R8K	0805	1.8	10%	78	0.6	50	.41	.34	.272	.119
810-MLF2012A2R2K	MLF2012A2R2K	0805	2.2	10%	70	0.65	30	.41	.34	.272	.119
810-MLF2012A2R7K	MLF2012A2R7K	0805	2.7	10%	64	0.75	30	.41	.34	.272	.119
810-MLF2012A3R3K	MLF2012A3R3K	0805	3.3	10%	58	0.8	30	.41	.34	.272	.119
810-MLF2012A3R9K	MLF2012A3R9K	0805	3.9	10%	53	0.9	30	.41	.34	.272	.119
810-MLF2012A4R7K	MLF2012A4R7K	0805	4.7	10%	48	1	30	.39	.32	.262	.114
810-MLF2012E5R6K	MLF2012E5R6K	0805	5.6	10%	44	0.9	15	.41	.34	.272	.119
810-MLF2012E6R8K	MLF2012E6R8K	0805	6.8	10%	40	1	15	.41	.34	.272	.119
810-MLF2012E8R2K	MLF2012E8R2K	0805	8.2	10%	36	1.1	15	.41	.34	.272	.119
810-MLF2012E100K	MLF2012E100K	0805	10	10%	33	1.15	15	.39	.32	.262	.114
810-MLF2012E120K	MLF2012E120K	0805	12	10%	30	1.25	15	.41	.34	.272	.119
810-MLF2012C150K	MLF2012C150K	0805	15	10%	27	0.8	5	.41	.34	.272	.119
810-MLF2012C180K	MLF2012C180K	0805	18	10%	25	0.9	5	.41	.34	.272	.119
810-MLF2012C220K	MLF2012C220K	0805	22	10%	22	1.1	5	.41	.34	.272	.119
810-MLF2012C270K	MLF2012C270K	0805	27	10%	20	1.15	5	.41	.34	.272	.119
810-MLF2012C330K	MLF2012C330K	0805	33	10%	18	1.25	5	.41	.34	.272	.119
810-MLF2012K390K	MLF2012K390K	0805	39	10%	15	2.9	4	.41	.34	.272	.119
810-MLF2012K470K	MLF2012K470K	0805	47	10%	14	3	4	.39	.32	.262	.114
810-MLF2012K560K	MLF2012K560K	0805	56	10%	13	3.1	4	.41	.34	.272	.119
810-MLF2012C680K	MLF2012C680K	0805	68	10%	12	2.9	2	.41	.34	.272	.119
810-MLF2012C820K	MLF2012C820K	0805	82	10%	11	3	2	.44	.40	.34	.122
810-MLF2012C101K	MLF2012C101K	0805	100	10%	10	3.1	2	.41	.34	.272	.119