

PANASONIC High Frequency Fixed Inductors Panasonic

RoHS Compliant This product is RoHS compliant.

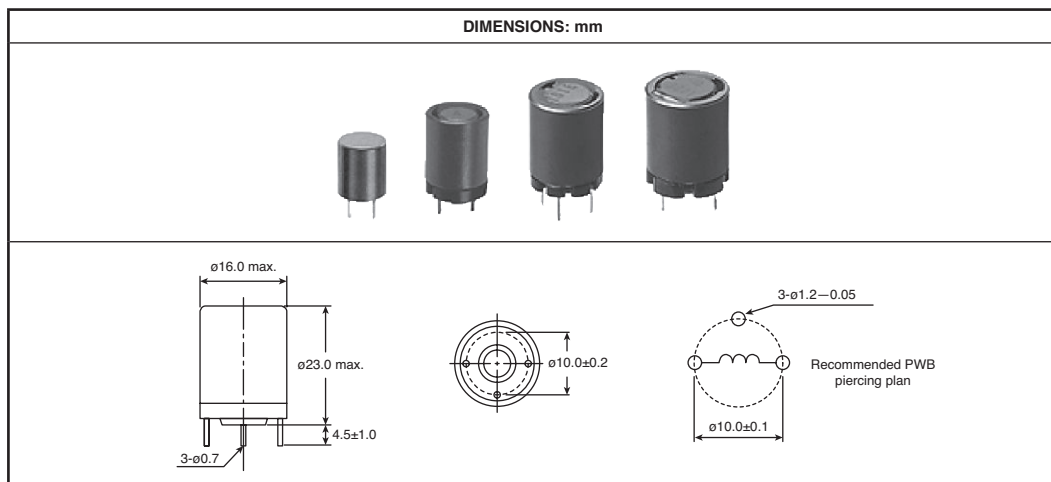
ELC SERIES CHOKE COILS - MAGNETIC SHIELD TYPE

Features:

- High-u and High Bm cores
- Wide inductor range
- Magnetic shield type

Applications:

- CTV, VCR, Audio, PC, Fax machines, PDP, Home appliance



For quantities greater than listed, call for quote.

MOUSER STOCK NO.	Panasonic Part No.	Value (nH)	Tol. %	DCR (Ω)	Idc (A max)	Price Each			
						1	50	100	500
667-ELC-15E5R6L	ELC-15E5R6L	5.6	±20	0.012	6.80	2.94	2.22	2.05	1.72
667-ELC-15E6R8L	ELC-15E6R8L	6.8	±20	0.013	6.30	2.94	2.22	2.05	1.72
667-ELC-15E8R2L	ELC-15E8R2L	8.2	±20	0.016	5.30	2.94	2.22	2.05	1.72
667-ELC-15E100L	ELC-15E100L	10	±20	0.018	5.40	2.94	2.22	2.05	1.72
667-ELC-15E120L	ELC-15E120L	12	±20	0.019	5.10	2.94	2.22	2.05	1.72
667-ELC-15E150L	ELC-15E150L	15	±20	0.022	4.70	2.94	2.22	2.05	1.72
667-ELC-15E180L	ELC-15E180L	18	±20	0.024	4.50	2.94	2.22	2.05	1.72
667-ELC-15E220L	ELC-15E220L	22	±10	0.027	4.30	2.94	2.22	2.05	1.72
667-ELC-15E270L	ELC-15E270L	27	±10	0.029	4.10	2.94	2.22	2.05	1.72
667-ELC-15E330L	ELC-15E330L	33	±10	0.032	4.00	2.94	2.22	2.05	1.72
667-ELC-15E390L	ELC-15E390L	39	±10	0.033	3.80	2.94	2.22	2.05	1.72
667-ELC-15E470L	ELC-15E470L	47	±10	0.037	3.70	2.94	2.22	2.05	1.72
667-ELC-15E560L	ELC-15E560L	56	±10	0.039	3.60	2.94	2.22	2.05	1.72
667-ELC-15E680L	ELC-15E680L	68	±10	0.045	3.50	2.94	2.22	2.05	1.72
667-ELC-15E820L	ELC-15E820L	82	±10	0.048	3.20	2.94	2.22	2.05	1.72
667-ELC-15E101L	ELC-15E101L	100	±10	0.053	3.00	2.94	2.22	2.05	1.72
667-ELC-15E121L	ELC-15E121L	120	±10	0.059	2.60	2.94	2.22	2.05	1.72
667-ELC-15E151L	ELC-15E151L	150	±10	0.077	2.40	2.94	2.22	2.05	1.72
667-ELC-15E181L	ELC-15E181L	180	±10	0.100	2.30	2.94	2.22	2.05	1.72
667-ELC-15E221L	ELC-15E221L	220	±10	0.140	2.00	2.94	2.22	2.05	1.72

For quantities greater than listed, call for quote.

MOUSER STOCK NO.	Panasonic Part No.	Value (nH)	Tol. %	DCR (Ω)	Idc (A max)	Price Each			
						1	50	100	500
667-ELC-15E271L	ELC-15E271L	270	±10	0.150	1.70	2.94	2.22	2.05	1.72
667-ELC-15E331L	ELC-15E331L	330	±10	0.170	1.60	2.94	2.22	2.05	1.72
667-ELC-15E391L	ELC-15E391L	390	±10	0.190	1.50	2.94	2.22	2.05	1.72
667-ELC-15E471L	ELC-15E471L	470	±10	0.210	1.30	2.94	2.22	2.05	1.72
667-ELC-15E561L	ELC-15E561L	560	±10	0.280	1.20	2.94	2.22	2.05	1.72
667-ELC-15E681L	ELC-15E681L	680	±10	0.310	1.10	2.94	2.22	2.05	1.72
667-ELC-15E821L	ELC-15E821L	820	±10	0.440	1.00	2.94	2.22	2.05	1.72
667-ELC-15E102L	ELC-15E102L	1000	±10	0.490	0.95	2.94	2.22	2.05	1.72
667-ELC-15E122L	ELC-15E122L	1200	±10	0.540	0.85	2.94	2.22	2.05	1.72
667-ELC-15E152L	ELC-15E152L	1500	±10	0.710	0.80	2.94	2.22	2.05	1.72
667-ELC-15E182L	ELC-15E182L	1800	±10	0.870	0.75	2.94	2.22	2.05	1.72
667-ELC-15E222L	ELC-15E222L	2200	±10	1.100	0.63	2.94	2.22	2.05	1.72
667-ELC-15E272L	ELC-15E272L	2700	±10	1.400	0.60	2.94	2.22	2.05	1.72
667-ELC-15E332L	ELC-15E332L	3300	±10	1.600	0.53	2.94	2.22	2.05	1.72
667-ELC-15E392L	ELC-15E392L	3900	±10	1.700	0.47	2.94	2.22	2.05	1.72
667-ELC-15E472L	ELC-15E472L	4700	±10	2.400	0.43	2.94	2.22	2.05	1.72
667-ELC-15E562L	ELC-15E562L	5600	±10	2.600	0.39	2.94	2.22	2.05	1.72
667-ELC-15E682L	ELC-15E682L	6800	±10	2.900	0.36	2.94	2.22	2.05	1.72
667-ELC-15E822L	ELC-15E822L	8200	±10	3.500	0.34	2.94	2.22	2.05	1.72
667-ELC-15E103L	ELC-15E103L	10000	±10	4.600	0.30	2.94	2.22	2.05	1.72

QF SERIES HIGH FREQUENCY HIGH Q - NON MAGNETIC CORE

Features:

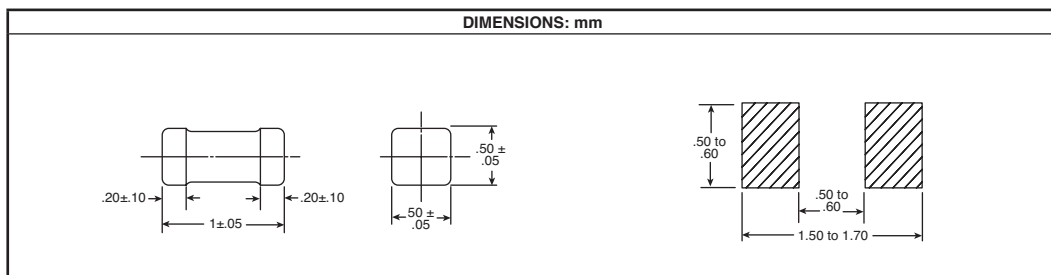
- Non polarity product
- Good for mounting
- High self resonance frequency
- Capable of being Re-flow or flow soldered
- Unique Ceramic Core/Laser-cut technology

Specifications:

- Operating Temp: -20°C to +85°C

Recommended Applications:

- RF circuitry for cellular phones and wireless communication equipment



For quantities greater than listed, call for quote.

MOUSER STOCK NO.	Panasonic Part No.	Value (nH)	Tol. %	SRF (MHz)	DCR (Ω max)	Irms (A max)	Price Each			
							1	50	100	500
0402 Case Size										
667-ELJ-QF3N0DF	ELJ-QF3N0DF	3	±0.3 nH	5500	0.12	400	.20	.15	.136	.124
667-ELJ-QF3N0ZF	ELJ-QF3N0ZF	3	±0.2 nH	5500	0.12	400	.20	.157	.143	.13
667-ELJ-QF3N6DF	ELJ-QF3N6DF	3.6	±0.3 nH	5300	0.14	380	.20	.15	.136	.124
667-ELJ-QF3N6ZF	ELJ-QF3N6ZF	3.6	±0.2 nH	5300	0.14	380	.20	.157	.143	.13
667-ELJ-QF4N3DF	ELJ-QF4N3DF	4.3	±0.3 nH	5000	0.16	360	.20	.15	.136	.124
667-ELJ-QF4N3ZF	ELJ-QF4N3ZF	4.3	±0.2 nH	5000	0.16	360	.20	.157	.143	.13
667-ELJ-QF5N1DF	ELJ-QF5N1DF	5.1	±0.3 nH	4700	0.18	350	.20	.15	.136	.124
667-ELJ-QF5N1ZF	ELJ-QF5N1ZF	5.1	±0.2 nH	4700	0.18	350	.20	.157	.143	.13
667-ELJ-QF6N2DF	ELJ-QF6N2DF	6.2	±0.3 nH	4300	0.25	330	.20	.15	.136	.124
667-ELJ-QF6N2ZF	ELJ-QF6N2ZF	6.2	±0.2 nH	4300	0.25	330	.20	.157	.143	.13
667-ELJ-QF7N5JF	ELJ-QF7N5JF	7.5	5	3700	0.33	320	.20	.15	.136	.124
667-ELJ-QF7N5ZF	ELJ-QF7N5ZF	7.5	±0.2 nH	3700	0.33	320	.20	.157	.143	.13
667-ELJ-QF9N1JF	ELJ-QF9N1JF	9.1	5	3100	0.38	320	.20	.15	.136	.124
667-ELJ-QF9N1ZF	ELJ-QF9N1ZF	9.1	±0.2 nH	3100	0.38	320	.20	.157	.143	.13

For quantities greater than listed, call for quote.

MOUSER STOCK NO.	Panasonic Part No.	Value (nH)	Tol. %	SRF (MHz)	DCR (Ω max)	Irms (A max)	Price Each			
							1	50	100	500
0402 Case Size Cont.										
667-ELJ-QF11NJF	ELJ-QF11NJF	11	5	2800	0.43	320	.20	.15	.136	.124
667-ELJ-QF11NGF	ELJ-QF11NGF	11	2	2800	0.43	320	.20	.157	.143	.13
667-ELJ-QF13NJF	ELJ-QF13NJF	13	5	2600	0.53	280	.20	.15	.136	.124
667-ELJ-QF13NGF	ELJ-QF13NGF	13	2	2600	0.53	280	.20	.157	.143	.13
667-ELJ-QF16NJF	ELJ-QF16NJF	16	5	2300	0.65	240	.20	.15	.136	.124
667-ELJ-QF16NGF	ELJ-QF16NGF	16	2	2300	0.65	240	.20	.157	.143	.13
667-ELJ-QF20NJF	ELJ-QF20NJF	20	5	2100	0.75	220	.20	.15	.136	.124
667-ELJ-QF20NGF	ELJ-QF20NGF	20	2	2100	0.75	220	.20	.157	.143	.13
667-ELJ-QF24NJF	ELJ-QF24NJF	24	5	1900	1	200	.20	.15	.136	.124
667-ELJ-QF24NGF	ELJ-QF24NGF	24	2	1900	1	200	.20	.157	.143	.13
667-ELJ-QF30NJF	ELJ-QF30NJF	30	5	1800	1.3	190	.20	.15	.136	.124
667-ELJ-QF30NGF	ELJ-QF30NGF	30	2	1800	1.3	190	.20	.157	.143	.13
667-ELJ-QF36NJF	ELJ-QF36NJF	36	5	1800	1.6	160	.20	.15	.136	.124
667-ELJ-QF36NGF	ELJ-QF36NGF	36	2	1800	1.6	160	.20	.157	.143	.13