

PANASONIC Fixed Inductors



RoHS Compliant This product is RoHS compliant.

ELL-6SH SERIES - SMD CHOKE COILS

Applications:

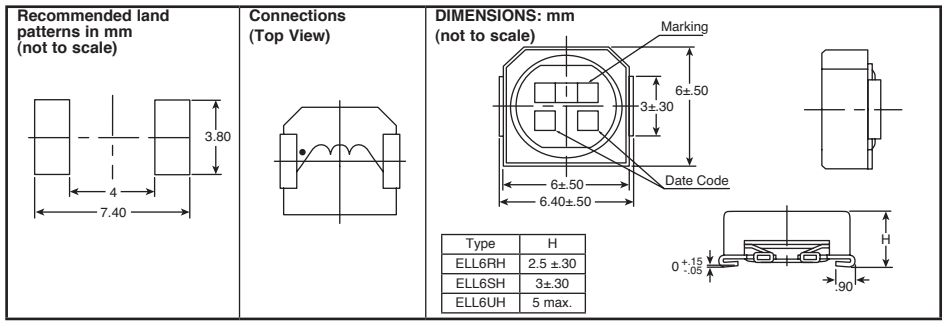
- Video, Audio, Mobile communications, Electric battery driven equipment
- As a decoupling choke coil in DC-DC converters

Features:

- Thin (height 2.5mm, 3.0mm)
- Higher reliability in mounting by separating the user terminal and internal connection
- Large current capability



RoHS Compliant



For quantities greater than listed, call for quote.

MOUSER STOCK NO.	Panasonic Part No.	Value (μF)	Tolerance	DCR (mΩ)	Idc (mA max.)	Price Each				Reel Quantity	Price Each
						1	25	100	500		
667-ELL-6SH1R0M	ELL-6SH1R0M	1.0	±20%	19	3,400	.93	.862	.65	.596	1,000	.398
667-ELL-6SH1R5M	ELL-6SH1R5M	1.5	±20%	24	3,200	.93	.862	.65	.596	1,000	.398
667-ELL-6SH2R7M	ELL-6SH2R7M	2.7	±20%	31	2,400	.93	.862	.65	.596	1,000	.398
667-ELL-6SH3R3M	ELL-6SH3R3M	3.3	±20%	34	2,200	.93	.862	.65	.596	1,000	.398
667-ELL-6SH4R7M	ELL-6SH4R7M	4.7	±20%	42	2,000	.93	.862	.65	.596	1,000	.398
667-ELL-6SH5R6M	ELL-6SH5R6M	5.6	±20%	49	1,800	.93	.862	.65	.596	1,000	.398
667-ELL-6SH6R8M	ELL-6SH6R8M	6.8	±20%	52	1,500	.93	.862	.65	.596	1,000	.398
667-ELL-6SH8R2M	ELL-6SH8R2M	8.2	±20%	61	1,400	.93	.862	.65	.596	1,000	.398
667-ELL-6SH100M	ELL-6SH100M	10	±20%	65	1,300	.93	.862	.65	.596	1,000	.398
667-ELL-6SH120M	ELL-6SH120M	12	±20%	71	1,200	.93	.862	.65	.596	1,000	.398
667-ELL-6SH150M	ELL-6SH150M	15	±20%	96	1,100	.93	.862	.65	.596	1,000	.398
667-ELL-6SH180M	ELL-6SH180M	18	±20%	130	1,000	.93	.862	.65	.596	1,000	.398
667-ELL-6SH220M	ELL-6SH220M	22	±20%	140	900	.93	.862	.65	.596	1,000	.398
667-ELL-6SH270M	ELL-6SH270M	27	±20%	160	800	.93	.862	.65	.596	1,000	.398
667-ELL-6SH330M	ELL-6SH330M	33	±20%	180	700	.93	.862	.65	.596	1,000	.398
667-ELL-6SH390M	ELL-6SH390M	39	±20%	240	650	.93	.862	.65	.596	1,000	.398
667-ELL-6SH470M	ELL-6SH470M	47	±20%	270	600	.93	.862	.65	.596	1,000	.398
667-ELL-6SH560M	ELL-6SH560M	56	±20%	290	550	.93	.862	.65	.596	1,000	.398
667-ELL-6SH680M	ELL-6SH680M	68	±20%	520	500	.93	.862	.65	.596	1,000	.398
667-ELL-6SH820M	ELL-6SH820M	82	±20%	600	450	.93	.862	.65	.596	1,000	.398
667-ELL-6SH101M	ELL-6SH101M	100	±20%	680	400	.93	.862	.65	.596	1,000	.398
667-ELL-6SH121M	ELL-6SH121M	120	±20%	750	370	.93	.862	.65	.596	1,000	.398
667-ELL-6SH151M	ELL-6SH151M	150	±20%	860	350	.93	.862	.65	.596	1,000	.398
667-ELL-6SH181M	ELL-6SH181M	180	±20%	1300	300	.93	.862	.65	.596	1,000	.398

ELL-6UH SERIES - SMD CHOKE COILS

Applications:

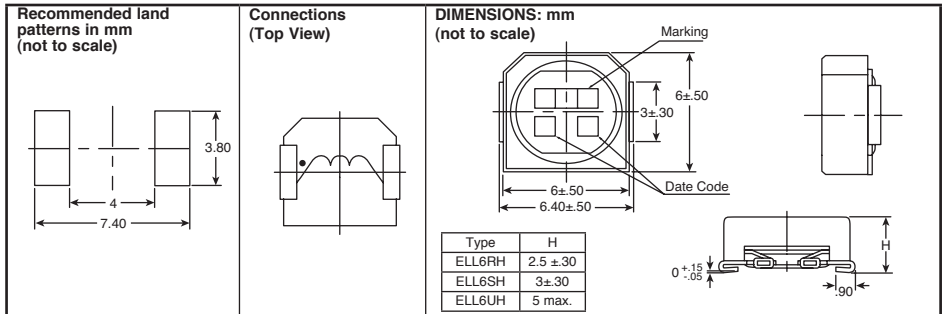
- Video, Audio, Mobile communications, Electric battery driven equipment
- As a decoupling choke coil in DC-DC converters

Features:

- Thin (height 2.5mm, 3.0mm)
- Higher reliability in mounting by separating the user terminal and internal connection
- Large current capability



RoHS Compliant



For quantities greater than listed, call for quote.

MOUSER STOCK NO.	Panasonic Part No.	Value (μF)	Tolerance	DCR (mΩ)	Idc (mA max.)	Price Each				Reel Quantity	Price Each
						1	25	100	500		
667-ELL-6UH100M	ELL-6UH100M	10	±20%	63	1,800	.66	.615	.464	.426	1,000	.284
667-ELL-6UH120M	ELL-6UH120M	12	±20%	71	1,700	.66	.615	.464	.426	1,000	.284
667-ELL-6UH150M	ELL-6UH150M	15	±20%	79	1,600	.66	.615	.464	.426	1,000	.284
667-ELL-6UH180M	ELL-6UH180M	18	±20%	88	1,400	.66	.615	.464	.426	1,000	.284
667-ELL-6UH220M	ELL-6UH220M	22	±20%	98	1,300	.66	.615	.464	.426	1,000	.284
667-ELL-6UH270M	ELL-6UH270M	27	±20%	110	1,200	.66	.615	.464	.426	1,000	.284
667-ELL-6UH330M	ELL-6UH330M	33	±20%	130	1,100	.66	.615	.464	.426	1,000	.284
667-ELL-6UH390M	ELL-6UH390M	39	±20%	150	1,000	.66	.615	.464	.426	1,000	.284
667-ELL-6UH470M	ELL-6UH470M	47	±20%	160	900	.66	.615	.464	.426	1,000	.284
667-ELL-6UH560M	ELL-6UH560M	56	±20%	210	800	.66	.615	.464	.426	1,000	.284
667-ELL-6UH680M	ELL-6UH680M	68	±20%	230	700	.66	.615	.464	.426	1,000	.284
667-ELL-6UH820M	ELL-6UH820M	82	±20%	260	650	.66	.615	.464	.426	1,000	.284
667-ELL-6UH101M	ELL-6UH101M	100	±20%	360	600	.66	.615	.464	.426	1,000	.284
667-ELL-6UH121M	ELL-6UH121M	120	±20%	480	580	.66	.615	.464	.426	1,000	.284
667-ELL-6UH151M	ELL-6UH151M	150	±20%	680	500	.66	.615	.464	.426	1,000	.284
667-ELL-6UH181M	ELL-6UH181M	180	±20%	750	470	.66	.615	.464	.426	1,000	.284
667-ELL-6UH221M	ELL-6UH221M	220	±20%	840	410	.66	.615	.464	.426	1,000	.284
667-ELL-6UH271M	ELL-6UH271M	270	±20%	1200	370	.66	.615	.464	.426	1,000	.284
667-ELL-6UH331M	ELL-6UH331M	330	±20%	1360	330	.66	.615	.464	.426	1,000	.284
667-ELL-6UH391M	ELL-6UH391M	390	±20%	1500	300	.66	.615	.464	.426	1,000	.284
667-ELL-6UH471M	ELL-6UH471M	470	±20%	1680	270	.66	.615	.464	.426	1,000	.284
667-ELL-6UH561M	ELL-6UH561M	560	±20%	2530	260	.66	.615	.464	.426	1,000	.284
667-ELL-6UH681M	ELL-6UH681M	680	±20%	2830	240	.66	.615	.464	.426	1,000	.284
667-ELL-6UH821M	ELL-6UH821M	820	±20%	3140	200	.66	.615	.464	.426	1,000	.284
667-ELL-6UH102M	ELL-6UH102M	1000	±20%	3670	180	.66	.615	.464	.426	1,000	.284