

PANASONIC Fixed Inductors



This product is RoHS compliant.

Panasonic

SMD CHOKE COILS

ELL-5PS Series

Features:

- Magnetically shielded structure
- Low DC resistance and large current capability

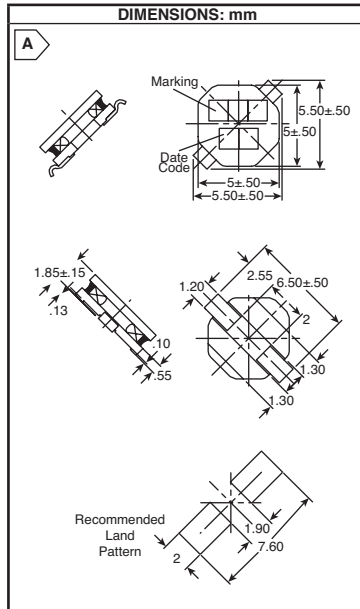
Applications:

- DC-DC converter circuitry for computer peripherals and cellular phones
- Chopper circuit decoupling chokes for DC-DC converter circuitry

PRODUCT NEW

For quantities greater than listed, call for quote.

MOUSER STOCK NO.	Panasonic Part No.	Fig.	Value (μF)	Tol.	DCR (mΩ)	Idc (mA Max.)	Price Each				Reel Qty.	Price Per Piece
							1	25	100	500		
667-ELL-5PS1R2N	ELL-5PS1R2N	A	1.2	±30%	22	2500	.60	.556	.419	.385	2000	.257
667-ELL-5PS1R5N	ELL-5PS1R5N	A	1.5	±30%	28	2400	.60	.556	.419	.385	2000	.257
667-ELL-5PS2R2N	ELL-5PS2R2N	A	2.2	±30%	34	2100	.60	.556	.419	.385	2000	.257
667-ELL-5PS2R7N	ELL-5PS2R7N	A	2.7	±30%	40	2000	.60	.556	.419	.385	2000	.257
667-ELL-5PS3R3N	ELL-5PS3R3N	A	3.3	±30%	46	1900	.60	.556	.419	.385	2000	.257
667-ELL-5PS4R7N	ELL-5PS4R7N	A	4.7	±30%	61	1500	.60	.556	.419	.385	2000	.257
667-ELL-5PS100M	ELL-5PS100M	A	10	±20%	120	1000	.60	.556	.419	.385	2000	.257
667-ELL-5PS150M	ELL-5PS150M	A	15	±20%	170	790	.60	.556	.419	.385	2000	.257
667-ELL-5PS220M	ELL-5PS220M	A	22	±20%	290	650	.60	.556	.419	.385	2000	.257
667-ELL-5PS330M	ELL-5PS330M	A	33	±20%	470	490	.60	.556	.419	.385	2000	.257
667-ELL-5PS470M	ELL-5PS470M	A	47	±20%	620	450	.60	.556	.419	.385	2000	.257
667-ELL-5PS560M	ELL-5PS560M	A	56	±20%	680	430	.60	.556	.419	.385	2000	.257
667-ELL-5PS680M	ELL-5PS680M	A	68	±20%	750	380	.60	.556	.419	.385	2000	.257
667-ELL-5PS820M	ELL-5PS820M	A	82	±20%	1160	340	.60	.556	.419	.385	2000	.257
667-ELL-5PS101M	ELL-5PS101M	A	100	±20%	1320	300	.60	.556	.419	.385	2000	.257



ELL-6GG/6PG Series

Features:

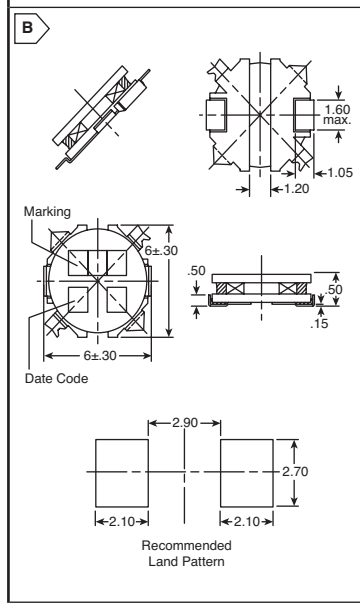
- Magnetically shielded structure
- Low DC resistance and large current capability

Applications:

- DC-DC converter circuitry for computer peripherals and cellular phones
- Chopper circuit decoupling chokes for DC-DC converter circuitry

For quantities greater than listed, call for quote.

MOUSER STOCK NO.	Panasonic Part No.	Fig.	Value (μF)	Tol.	DCR (mΩ)	Isat (mA Max.)	I temp (mA Max.)	Price Each				Reel Qty.	Price Per Piece
								1	25	100	500		
667-ELL-6GG1R0N	ELL-6GG1R0N	B	1.0	±30%	27	2,500	2,500	.80	.746	.562	.516	1,000	.345
667-ELL-6GG1R5N	ELL-6GG1R5N	B	1.5	±30%	36	2,300	2,250	.80	.746	.562	.516	1,000	.345
667-ELL-6GG2R2M	ELL-6GG2R2M	B	2.2	±20%	45	1,950	2,000	.80	.746	.562	.516	1,000	.345
667-ELL-6GG2R7M	ELL-6GG2R7M	B	2.7	±20%	54	1,850	1,800	.80	.746	.562	.516	1,000	.345
667-ELL-6GG3R9M	ELL-6GG3R9M	B	3.9	±20%	60	1,650	1,700	.80	.746	.562	.516	1,000	.345
667-ELL-6GG4R7M	ELL-6GG4R7M	B	4.7	±20%	70	1,400	1,550	.80	.746	.562	.516	1,000	.345
667-ELL-6GG6R8M	ELL-6GG6R8M	B	6.8	±20%	110	1,150	1,300	.80	.746	.562	.516	1,000	.345
667-ELL-6GG100M	ELL-6GG100M	B	10	±20%	170	900	1,000	.80	.746	.562	.516	1,000	.345
667-ELL-6GG150M	ELL-6GG150M	B	15	±20%	210	800	900	.80	.746	.562	.516	1,000	.345
667-ELL-6GG220M	ELL-6GG220M	B	22	±20%	300	620	850	.80	.746	.562	.516	1,000	.345
667-ELL-6GG330M	ELL-6GG330M	B	33	±20%	510	490	580	.80	.746	.562	.516	1,000	.345
667-ELL-6GG470M	ELL-6GG470M	B	47	±20%	610	400	480	.80	.746	.562	.516	1,000	.345
667-ELL-6GG680M	ELL-6GG680M	B	68	±20%	860	380	410	.80	.746	.562	.516	1,000	.345
667-ELL-6GG101M	ELL-6GG101M	B	100	±20%	1,480	300	350	.80	.746	.562	.516	1,000	.345



6PG Series

667-ELL-6PGR08N	ELL-6PGR08N	B	0.8	±30%	24	3,800	2,800	.68	.63	.475	.436	1,000	.291
667-ELL-6PG1R5N	ELL-6PG1R5N	B	1.5	±30%	30	2,500	2,500	.68	.63	.475	.436	1,000	.291
667-ELL-6PG2R2M	ELL-6PG2R2M	B	2.2	±30%	37	2,200	2,200	.68	.63	.475	.436	1,000	.291
667-ELL-6PG3R3N	ELL-6PG3R3N	B	3.3	±30%	44	1,700	2,000	.68	.63	.475	.436	1,000	.291
667-ELL-6PG3R9N	ELL-6PG3R9N	B	3.9	±30%	51	1,600	1,900	.68	.63	.475	.436	1,000	.291
667-ELL-6PG4R7N	ELL-6PG4R7N	B	4.7	±30%	58	1,500	1,750	.68	.63	.475	.436	1,000	.291
667-ELL-6PG5R6N	ELL-6PG5R6N	B	5.6	±30%	65	1,450	1,650	.68	.63	.475	.436	1,000	.291
667-ELL-6PG6R8N	ELL-6PG6R8N	B	6.8	±30%	70	1,400	1,600	.68	.63	.475	.436	1,000	.291
667-ELL-6PG100M	ELL-6PG100M	B	10	±20%	110	1,300	1,300	.68	.63	.475	.436	1,000	.291
667-ELL-6PG150M	ELL-6PG150M	B	15	±20%	150	1,000	1,100	.68	.63	.475	.436	1,000	.291
667-ELL-6PG220M	ELL-6PG220M	B	22	±20%	230	800	900	.68	.63	.475	.436	1,000	.291
667-ELL-6PG270M	ELL-6PG270M	B	27	±20%	260	730	800	.68	.63	.475	.436	1,000	.291
667-ELL-6PG330M	ELL-6PG330M	B	33	±20%	300	700	750	.68	.63	.475	.436	1,000	.291
667-ELL-6PG470M	ELL-6PG470M	B	47	±20%	470	550	600	.68	.63	.475	.436	1,000	.291
667-ELL-6PG560M	ELL-6PG560M	B	56	±20%	520	500	550	.68	.63	.475	.436	1,000	.291
667-ELL-6PG680M	ELL-6PG680M	B	68	±20%	700	420	500	.68	.63	.475	.436	1,000	.291
667-ELL-6PG820M	ELL-6PG820M	B	82	±20%	800	400	450	.68	.63	.475	.436	1,000	.291
667-ELL-6PG101M	ELL-6PG101M	B	100	±20%	1,000	380	400	.68	.63	.475	.436	1,000	.291

ELL-6RH Series

Features:

- Thin (height 2.5 mm, 3.0 mm)
- Higher reliability in mounting by separating the user terminal and internal connection
- Large current capability

Applications:

- Video, Audio, Mobile communications, Electric battery driven equipment
- As a decoupling choke coil in DC-DC converters

For quantities greater than listed, call for quote.

MOUSER STOCK NO.	Panasonic Part No.	Fig.	Value (μF)	Tol.	DCR (mΩ)	Idc (mA Max.)	Price Each				Reel Qty.	Price Per Piece
							1	25	100	500		
667-ELL-6RH1R0M	ELL-6RH1R0M	C	1.0	±20%	19	3,000	.99	.918	.692	.635	1,000	.424
667-ELL-6RH1R5M	ELL-6RH1R5M	C	1.5	±20%	24	2,400	.99	.918	.692	.635	1,000	.424
667-ELL-6RH2R7M	ELL-6RH2R7M	C	2.7	±20%	39	1,800	.99	.918	.692	.635	1,000	.424
667-ELL-6RH3R3M	ELL-6RH3R3M	C	3.3	±20%	44	1,600	.99	.918	.692	.635	1,000	.424
667-ELL-6RH5R1M	ELL-6RH5R1M	C	5.1	±20%	56	1,550	.99	.918	.692	.635	1,000	.424
667-ELL-6RH6R2M	ELL-6RH6R2M	C	6.2	±20%	62	1,400	.99	.918	.692	.635	1,000	.424
667-ELL-6RH7R5M	ELL-6RH7R5M	C	7.5	±20%	80	1,250	.99	.918	.692	.635	1,000	.424
667-ELL-6RH8R2M	ELL-6RH8R2M	C	8.2	±20%	87	1,200	.99	.918	.692	.635	1,000	.424
667-ELL-6RH100M	ELL-6RH100M	C	10	±20%	95	1,100	.99	.918	.692	.635	1,000	.424
667-ELL-6RH120M	ELL-6RH120M	C	12	±20%	130	1,000	.99	.918	.692	.635	1,000	.424
667-ELL-6RH150M	ELL-6RH150M	C	15	±20%	150	850	.99	.918	.692	.635	1,000	.424
667-ELL-6RH180M	ELL-6RH180M	C	18	±20%	170	800	.99	.918	.692	.635	1,000	.424
667-ELL-6RH220M	ELL-6RH220M	C	22	±20%	220	700	.99	.918	.692	.635	1,000	.424
667-ELL-6RH270M	ELL-6RH270M	C	27	±20%	260	650	.99	.918	.692	.635	1,000	.424
667-ELL-6RH330M	ELL-6RH330M	C	33	±20%	380	600	.99	.918	.692	.635	1,000	.424
667-ELL-6RH390M	ELL-6RH390M	C	39	±20%	410	550	.99	.918	.692	.635	1,000	.424
667-ELL-6RH470M	ELL-6RH470M	C	47	±20%	480	500	.99	.918	.692	.635	1,000	.424
667-ELL-6RH560M	ELL-6RH560M	C	56	±20%	540	450	.99	.918	.692	.635	1,000	.424
667-ELL-6RH680M	ELL-6RH680M	C	68	±20%	770	400	.99	.918	.692	.635	1,000	.424
667-ELL-6RH820M	ELL-6RH820M	C	82	±20%	870	350	.99	.918	.692	.635	1,000	.424
667-ELL-6RH101M	ELL-6RH101M	C	100	±20%	1000	300	.99	.918	.692	.635	1,000	.424
667-ELL-6RH121M	ELL-6RH121M	C	120	±20%	1500	280	.99	.918	.692	.635	1,000	.424
667-ELL-6RH151M	ELL-6RH151M	C	150	±20%	1800	250	.99	.918	.692	.635	1,000	.424
667-ELL-6RH181M	ELL-6RH181M	C	180	±20%	2000	230	.99	.918	.692	.635	1,000	.424

