

CHICAGO MINIATURE LED Lamps and Indicators



Chicago Miniature Lighting, LLC
Lighting the world since 1910

Products may be RoHS compliant.
Check mouser.com for RoHS status.

Chicago Miniature Lighting, LLC
Lighting the world since 1910

THRU-HOLE LED LAMPS (CONT.)

T-1 3/4 w/ Integrated Resistor

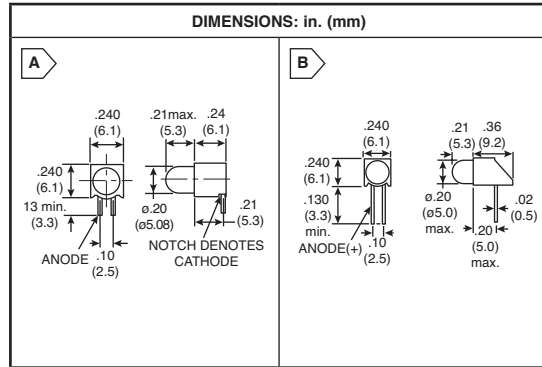
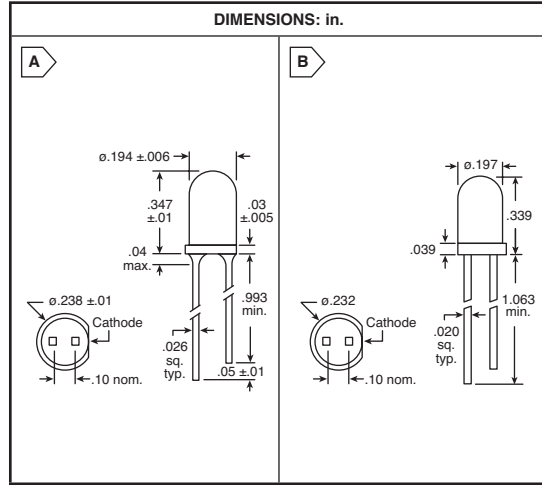
For quantities greater than listed, call for quote.

MOUSER STOCK NO.	Fig.	Color		Forward Voltage @ IF=20mA		Luminous Intensity @ 20mA(mcd)		Peak Wavelength (nm)	Viewing Angle	Price Each		
		LED	Lens	Typ.	Max.	Min.	Typ.			1	100	500
606-4302H1-5V	A	Red	Red Diff	5	10	2.0	8.0	635	60°	.58	.50	.47
606-4302H3-5V	A	Amber	Amber Diff	5	10	2.0	8.0	583	60°	.58	.50	.47
606-4302H5-5V	A	Green	Green Diff	5	12	2.0	8.0	565	60°	.58	.50	.47
606-4302H1-12V	A	Red	Red Diff	12	13	2.0	8.0	635	60°	.58	.50	.47
606-4302H3-12V	A	Amber	Amber Diff	12	13	2.0	8.0	583	60°	.58	.50	.47
606-4302H5-12V	A	Green	Green Diff	12	13	2.0	8.0	565	60°	.58	.50	.47

T-1 3/4 Bi-Polar for AC/DC Operation

For quantities greater than listed, call for quote.

MOUSER STOCK NO.	Fig.	Color		Forward Voltage @ IF=20mA		Luminous Intensity @ 20mA(mcd)		Peak Wavelength (nm)	Viewing Angle	Price Each		
		LED	Lens	Typ.	Max.	Min.	Typ.			1	100	500
606-4301H1/1	B	Red	Red	2.0	2.5	8.0	20.0	625	60°	1.04	.96	.86
606-4301H7/7	B	Yellow	Yellow	2.1	2.5	5.0	20.0	590	60°	1.20	1.12	1.00
606-4301H5/5	B	Green	Green	2.2	2.5	5.0	20.0	565	60°	1.04	.96	.86



Chicago Miniature Lighting, LLC
Lighting the world since 1910

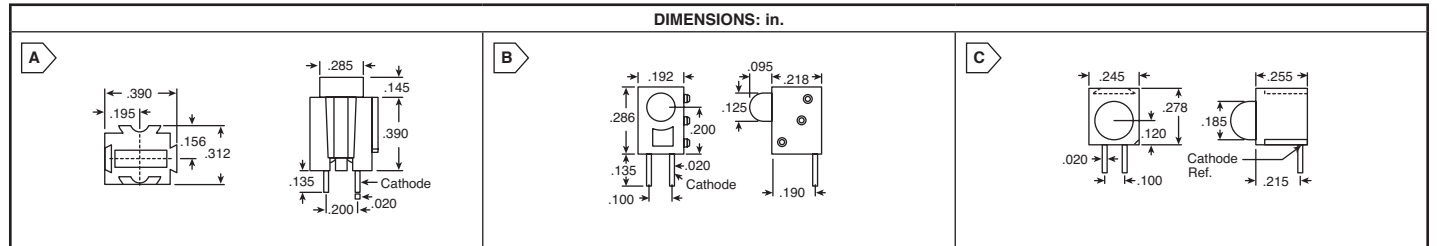
T-1 3/4 CIRCUIT BOARD INDICATORS

For quantities greater than listed, call for quote.

MOUSER STOCK NO.	Fig.	Color	Cont. Forward Current (mA) (max.)	Forward Voltage		Luminous Intensity (mcd) (typ)	Rated Current (mA)	Peak Wavelength (nm)	Price Each		
				Typ.	Max.				1	100	500
607-5300H1	A	Red	60	2.0	3.0	6.3	10	650	.57	.44	.36
607-5300H5	A	Green	60	2.2	3.0	10	10	563	.57	.44	.36
607-5300H7	A	Yellow	60	2.1	3.0	6.3	10	585	.57	.44	.36
607-5300H1LC	A	Red	7	1.8	2.2	2.0	2.0	635	.73	.57	.46
607-5300H5LC	A	Green	7	1.8	2.2	2.5	2.0	565	.57	.46	.33
607-5302H1-5V	A	Red	15	5.0	7.5	6.0	10.0	635	.78	.61	.49
607-5302H3-5V	A	Amber	15	5.0	7.5	7.0	10.0	583	.78	.61	.49
607-5302H5-5V	A	Green	15	5.0	7.5	10.0	12.0	565	.78	.61	.49
607-5380H1	B	Red	35	2.0	3.0	30.0	20.0	650	.57	.44	.36
607-5380H5	B	Green	20	2.2	2.5	30.0	20.0	563	.57	.44	.36
607-5380H7	B	Yellow	35	2.1	3.0	2.0	20.0	585	.57	.44	.36

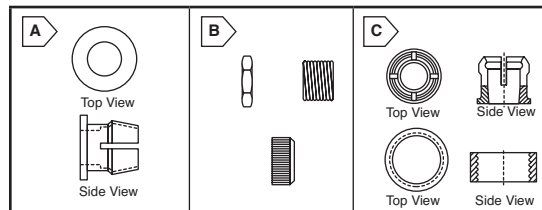
Chicago Miniature Lighting, LLC
Lighting the world since 1910

CIRCUIT BOARD INDICATORS



For quantities greater than listed, call for quote.

MOUSER STOCK NO.	Fig.	Color		Forward Voltage @ IF=20mA		Luminous Intensity @ 20mA(mcd)		Peak Wavelength (nm)	Viewing Angle	Price Each		
		LED	Lens	Typ.	Max.	Min.	Typ.			1	100	500
606-CMS01R	A	Hi-eff red	Red diff	2.0	2.5	3.2	12.5	625	110°	.64	.55	.53
606-CMS01G	A	Hi-eff grn	Green diff	2.2	2.5	1.3	8.0	565	110°	.64	.55	.53
606-CMC01R	B	Hi-eff red	Water clr	2.0	2.5	24.0	60.0	625	30°	.66	.57	.55
606-CMW01S	B	Hi-eff red	Red diff	2.0	2.5	1.0	2.0	625	120°	.66	.57	.55
606-CMW01R	B	Hi-eff red	Red diff	2.0	2.5	3.2	20.0	625	130°	.66	.57	.55
606-CMW01G	B	Hi-eff grn	Green diff	2.2	2.5	3.2	12.5	565	120°	.66	.57	.55
606-CMW01Y	B	Yellow	Yellow diff	2.1	2.5	3.2	12.5	590	120°	.66	.57	.55
606-CMI01S	C	Red	Red diff	1.7	2.1	1.25	3.2	660	120°	.93	.80	.77
606-CMI01G	C	Hi-eff grn	Green diff	2.2	2.5	3.2	8.0	565	120°	.93	.80	.77



Chicago Miniature Lighting, LLC
Lighting the world since 1910

LED PANEL MOUNTING ACCESSORIES

For quantities greater than listed, call for quote.

MOUSER STOCK NO.	Fig.	Description	Color	Price Each		
				1	100	500
606-CMP100	A	T-1 single piece	Black	.13	.10	.098
606-4999-002	B	T-1 3/4, 3 piece flanged	Silver	4.38	3.95	3.49
606-4999-003	B	T-1 3/4, 3 piece flanged	Black	3.07	2.63	2.56
606-4304MC	C	T-1 3/4, 2 piece	Black	.25	.194	.177