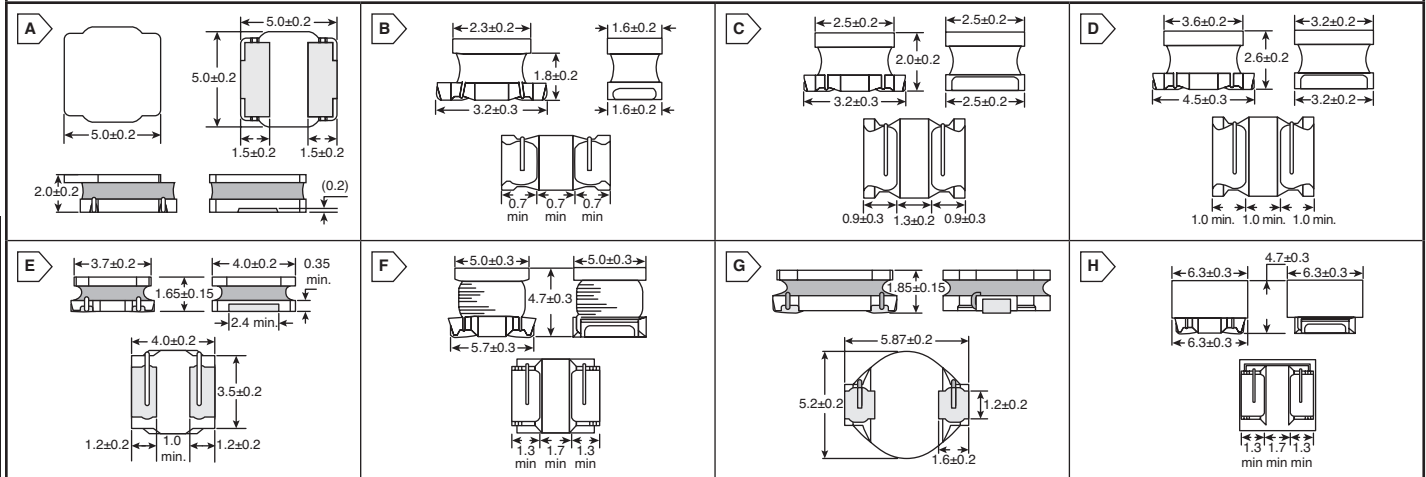


# MURATA SMD Inductors



RoHS Compliant This product is RoHS compliant.

### DIMENSIONS: mm



### LQH SERIES

For quantities greater than listed, call for quote.

MOUSER STOCK NO.		Fig.	Value (µH)	Tol.	DCR (Max.)	Rated Current (mA)	Price Each			Reel Qty.	Price Per Piece
Mfr.	Mfr. Part No.						1	50	100		
<b>LQH5BP Series 2020 Case Size</b>											
81	LQH5BPNR47NT0LOL	A	0.47	30%	0.012	7.7	.35	.266	.242	500	.22
81	LQH5BPN1R0NT0LOL	A	1.0	30%	0.019	5.8	.35	.266	.242	500	.22
81	LQH5BPN1R2NT0LOL	A	1.2	30%	0.019	5.4	.35	.266	.242	500	.22
81	LQH5BPN1R5NT0LOL	A	1.5	30%	0.024	5	.35	.266	.242	500	.22
81	LQH5BPN2R2NT0LOL	A	2.2	30%	0.03	4	.35	.266	.242	500	.22
81	LQH5BPN2R7NT0LOL	A	2.7	30%	0.035	3.8	.35	.266	.242	500	.22
81	LQH5BPN3R3NT0LOL	A	3.3	30%	0.044	3.5	.35	.266	.242	500	.22
81	LQH5BPN4R7NT0LOL	A	4.7	30%	0.058	3	.35	.266	.242	500	.22
81	LQH5BPN6R8NT0LOL	A	6.8	30%	0.083	2.5	.35	.266	.242	500	.22
81	LQH5BPN100MT0LOL	A	10	20%	0.106	2	.35	.266	.242	500	.22
81	LQH5BPN150MT0LOL	A	15	20%	0.187	1.6	.35	.266	.242	500	.22
81	LQH5BPN220MT0LOL	A	22	20%	0.259	1.4	.35	.266	.242	500	.22
<b>LQH31M Series 1206 Case Size</b>											
81	LQH31M100K03L	B	10	10%	2.5	100	.77	.597	.49	2000	.437
81	LQH31M220J03L	B	22	5%	3.1	85	.81	.618	.511	2000	.447
81	LQH31M470K03L	B	47	10%	8	55	.77	.597	.49	2000	.437
<b>LQH32C Series 1210 Case Size</b>											
81	LQH32CN1R0M33L	C	1	20%	0.09	800	.27	.242	.226	2000	.107
81	LQH32CN1R0M53L	C	1	20%	0.06	1000	.30	.264	.246	2000	.117
81	LQH32CN2R2M23L	C	2.2	20%	0.13	600	.27	.242	.226	2000	.107
81	LQH32CN2R2M33L	C	2.2	20%	0.13	600	.27	.242	.226	2000	.107
81	LQH32CN2R2M53L	C	2.2	20%	0.13	600	.30	.264	.246	2000	.117
81	LQH32CN4R7M23L	C	4.7	20%	0.20	450	.27	.242	.226	2000	.107
81	LQH32CN4R7M33L	C	4.7	20%	0.20	450	.27	.242	.226	2000	.107
81	LQH32CN4R7M53L	C	4.7	20%	0.20	450	.30	.264	.246	2000	.117
81	LQH32CN100K23L	C	10	10%	0.44	300	.27	.242	.226	2000	.107
81	LQH32CN100K33L	C	10	10%	0.44	300	.27	.242	.226	2000	.107
81	LQH32CN100K53L	C	10	10%	0.44	300	.30	.264	.246	2000	.117
81	LQH32CN220K23L	C	22	10%	0.71	250	.27	.242	.226	2000	.107
81	LQH32CN220K53L	C	22	10%	0.71	250	.30	.264	.246	2000	.117
81	LQH32CN330K53L	C	33	10%	1.1	200	.30	.264	.246	2000	.117
81	LQH32CN470K23L	C	47	10%	1.3	170	.27	.242	.226	2000	.107
81	LQH32CN470K53L	C	47	10%	1.3	170	.30	.264	.246	2000	.117
81	LQH32CN101K23L	C	100	10%	3.5	100	.27	.242	.226	2000	.107
81	LQH32CN101K53L	C	100	10%	3.5	100	.30	.264	.246	2000	.117
81	LQH32CN221K23L	C	220	10%	8.40	70	.27	.242	.226	2000	.107
81	LQH32CN331K23L	C	330	10%	10.00	60	.27	.242	.226	2000	.107
81	LQH32CN471K23L	C	470	10%	19	60	.27	.242	.226	2000	.107
81	LQH32CN561K23L	C	560	10%	22	60	.27	.242	.226	2000	.107
<b>LQH32M Series 1210 Case Size</b>											
81	LQH32MN1R5K23L	C	1.5	10%	0.6	400	.27	.242	.226	2000	.107
81	LQH32MN100J23L	C	10	5%	1.8	190	.27	.242	.226	2000	.107
81	LQH32MN100K23L	C	10	10%	1.8	190	.27	.242	.226	2000	.107
81	LQH32MN220J23L	C	22	5%	2.8	150	.27	.242	.226	2000	.107
81	LQH32MN220K23L	C	22	10%	2.8	150	.27	.242	.226	2000	.107
81	LQH32MN330J23L	C	33	5%	3.5	115	.27	.242	.226	2000	.107
81	LQH32MN470J23L	C	47	5%	4.3	170	.27	.242	.226	2000	.107
81	LQH32MN820J23L	C	82	5%	6.2	70	.27	.242	.226	2000	.107
81	LQH32MN101J23L	C	100	5%	7.0	80	.27	.242	.226	2000	.107
81	LQH32MN101K23L	C	100	10%	7.0	80	.27	.242	.226	2000	.107
81	LQH32MN151J23L	C	150	5%	9.3	70	.27	.242	.226	2000	.107
81	LQH32MN221J23L	C	220	5%	11.8	65	.27	.242	.226	2000	.107
81	LQH32MN221K23L	C	220	10%	11.8	65	.27	.242	.226	2000	.107
<b>LQH43C Series 1812 Case Size</b>											
81	LQH43CN1R0M03L	D	1	20%	0.08	1080	.45	.399	.372	500	.177
81	LQH43CN2R2M03L	D	2.2	20%	0.11	900	.45	.399	.372	500	.177
81	LQH43CN3R3M03L	D	3.3	20%	0.13	800	.45	.399	.372	500	.177
81	LQH43CN4R7M03L	D	4.7	20%	0.15	750	.45	.399	.372	500	.177
81	LQH43CN100K03L	D	10	10%	0.24	650	.45	.399	.372	500	.177
81	LQH43CN150K03L	D	15	10%	0.32	570	.45	.31	.25	500	.177
81	LQH43CN220K03L	D	22	10%	0.60	420	.45	.399	.372	500	.177
81	LQH43CN330K03L	D	33	10%	1.0	310	.45	.399	.372	500	.177
81	LQH43CN470K03L	D	47	10%	1.1	280	.45	.399	.372	500	.177
81	LQH43CN101K03L	D	100	10%	2.2	190	.47	.418	.39	500	.177
81	LQH43CN221K03L	D	220	10%	4.0	110	.47	.418	.39	500	.177

For quantities greater than listed, call for quote.

MOUSER STOCK NO.		Fig.	Value (µH)	Tol.	DCR (Max.)	Rated Current (mA)	Price Each			Reel Qty.	Price Per Piece
Mfr.	Mfr. Part No.						1	50	100		
<b>LQH43M Series 1812 Case Size</b>											
81	LQH43MN1R0M03L	D	1	20%	0.20	500	.56	.492	.459	500	.218
81	LQH43MN4R7K03L	D	4.7	10%	0.40	500	.56	.492	.459	500	.218
81	LQH43MN100J03L	D	10	5%	0.56	400	.49	.436	.407	500	.218
81	LQH43MN100K03L	D	10	10%	0.56	400	.48	.422	.373	500	.218
81	LQH43MN220K03L	D	22	10%	0.94	320	.48	.422	.373	500	.218
81	LQH43MN330K03L	D	33	10%	1.2	270	.48	.422	.373	500	.218
81	LQH43MN470J03L	D	47	5%	1.5	220	.49	.436	.407	500	.218
81	LQH43MN470K03L	D	47	10%	1.5	220	.48	.437	.197	500	.218
81	LQH43MN101J03L	D	100	5%	2.5	160	.49	.436	.407	500	.218
81	LQH43MN101K03L	D	100	10%	2.5	160	.48	.422	.373	500	.218
81	LQH43MN221J03L	D	220	5%	5.4	110	.49	.436	.407	500	.218
81	LQH43MN561K03L	D	560	10%	14.5	70	.48	.422	.373	500	.218
81	LQH43MN681J03L	D	680	5%	17	65	.49	.436	.407	500	.218
81	LQH43MN102J03L	D	1000	5%	25	50	.55	.458	.362	500	.218
81	LQH43MN102K03L	D	1000	10%	25	50	.48	.422	.373	500	.218
<b>LQH44PP 1515 Case Size</b>											
81	LQH44PN1R0NP0L	E	1	30%	0.03	2450	.40	.353	.329	1000	.156
81	LQH44PN2R2MP0L	E	2.2	20%	0.049	1800	.40	.353	.329	1000	.156
81	LQH44PN3R3MP0L	E	3.3	20%	0.065	1770	.40	.353	.329	1000	.156
81	LQH44PN4R7MP0L	E	4.7	20%	0.08	1700	.40	.353	.329	1000	.156
81	LQH44PN6R8MP0L	E	6.8	20%	0.12	1340	.40	.353	.329	1000	.156
81	LQH44PN100MP0L	E	10	20%	0.16	1170	.40	.353	.329	1000	.156
81	LQH44PN220MP0L	E	22	20%	0.37	790	.40	.353	.329	1000	.156
81	LQH44PN1R0NJ0L	E	1	30%	0.048	1530	.40	.353	.329	2000	.153
81	LQH44PN1R5MJ0L	E	2	20%	0.061	1380	.40	.353	.329	2000	.153
81	LQH44PN2R2MJ0L	E	2.2	20%	0.074	1230	.40	.353	.329	2000	.153
81	LQH44PN3R3MJ0L	E	3.3	20%	0.088	1000	.40	.353	.329	2000	.153
81	LQH44PN4R7MJ0L	E	4.7	20%	0.117	980	.40	.353	.329	2000	.153
81	LQH44PN6R8MJ0L	E	6.8	20%	0.143	860	.40	.353	.329	2000	.153
81	LQH44PN100MJ0L	E	10	20%	0.207	790	.40	.353	.329	2000	.153
81	LQH44PN150MJ0L	E	15	20%	0.385	610	.40	.353	.329	2000	.153
81	LQH44PN220MJ0L	E	22	20%	0.480	550	.40	.353	.329	2000	.153
81	LQH44PN330MJ0L	E	33	20%	0.740	430	.40	.353	.329	2000	.153
81	LQH44PN470MJ0L	E	47	20%	1.014	380	.40	.353	.329	2000	.153
<b>LQH55D Series 2220 Case Size</b>											
81	LQH55DN1R0M03L	F	1	20%	0.019	4000	2.55	1.65	1.35	350	1.25
81	LQH55DN2R2M03L	F	2.2	20%	0.029	3200	2.55	1.65	1.35	350	1.25
81	LQH55DN3R3M03L	F	3.3	20%	0.036	2900	2.55	1.65	1.35	350	1.25
81	LQH55DN4R7M03L	F	4.7	20%	0.041	2700	2.55	1.65	1.35	350	1.25
81	LQH55DN6R8M03L	F	6.8	20%	0.074	2000	2.55	1.65	1.35	350	1.25
81	LQH55DN100M03L	F	10	20%	0.093	1700	2.56	1.65	1.35	350	1.25
81	LQH55DN220M03L	F	22	20%	0.19	1200	2.55	1.65	1.35	350	1.25
81	LQH55DN330M03L	F	33	20%	0.32	900	2.55	1.65	1.35	350	1.25
81	LQH55DN470M03L	F	47	20%	0.40	800	2.55	1.65	1.35	350	1.25
81	LQH55DN101M03L	F	100	20%	0.86	560	2.55	1.65	1.35	350	1.25
81	LQH55DN102M03L	F	1000	20%	10.3	150	2.55	1.65	1.35	350	