

FASTRON Inductors and Chokes

RoHS Compliant This product is RoHS compliant.

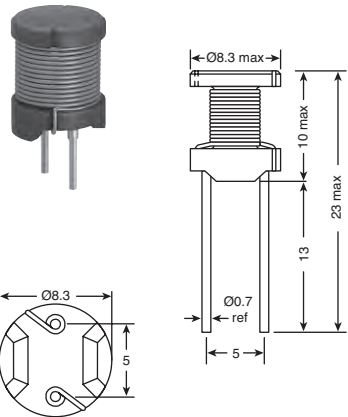
High Current Inductors

- Features:**
- High saturation ferrite core material
 - Operating temperature from -55°C to +125°C (incl. self-comp heating)
 - For currents up to 7.5A

- Applications:**
- DC-DC Converters
 - Switching Power Supply (small and medium VOLT)
 - Signal and EMI Filtering

DIMENSIONS: mm

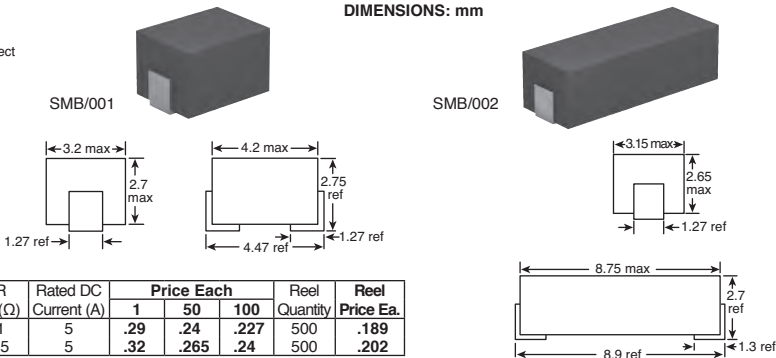
| MOUSER STOCK NO. | Fastron Part No. | Inductance L (µH) | fL (kHz) | Tolerance ± (%) | DCR max. (Ω) | Rated DC Current (A) | | Price Each | | | |
|------------------|------------------|-------------------|-----------|-----------------|--------------|----------------------|------|------------|------|------|------|
| | | | | | | I _N | Isat | 1 | 50 | 100 | 500 |
| 434-07HCP-1R0M | 07HCP-1R0M-50 | 1 | 1 @ 0.25V | 20 | 0.06 | 7.50 | 10 | .79 | .728 | .637 | .523 |
| 434-07HCP-2R2M | 07HCP-2R2M-50 | 2.2 | 1 @ 0.25V | 20 | 0.01 | 6 | 8 | .79 | .728 | .637 | .523 |
| 434-07HCP-3R3M | 07HCP-3R3M-50 | 3.3 | 1 @ 0.25V | 20 | 0.013 | 5 | 6.30 | .79 | .728 | .637 | .523 |
| 434-07HCP-4R7M | 07HCP-4R7M-50 | 4.7 | 1 @ 0.25V | 20 | 0.018 | 4 | 5.4 | .79 | .728 | .637 | .523 |
| 434-07HCP-6R8M | 07HCP-6R8M-50 | 6.8 | 1 @ 0.25V | 20 | 0.025 | 3.8 | 6.5 | .79 | .728 | .637 | .523 |
| 434-07HCP-100M | 07HCP-100M-50 | 10 | 1 @ 0.25V | 20 | 0.04 | 2.6 | 5 | .79 | .728 | .637 | .523 |
| 434-07HCP-220K | 07HCP-220K-50 | 22 | 1 @ 0.25V | 10 | 0.055 | 2.3 | 3.6 | .79 | .728 | .637 | .523 |
| 434-07HCP-330K | 07HCP-330K-50 | 33 | 1 @ 0.25V | 10 | 0.1 | 1.5 | 2.5 | .79 | .728 | .637 | .523 |
| 434-07HCP-470K | 07HCP-470K-50 | 47 | 1 @ 0.25V | 10 | 0.1 | 1.3 | 2.5 | .79 | .728 | .637 | .523 |
| 434-07HCP-680K | 07HCP-680K-50 | 68 | 1 @ 0.25V | 10 | 0.14 | 1.1 | 2.1 | .79 | .728 | .637 | .523 |
| 434-07HCP-820K | 07HCP-820K-50 | 82 | 1 @ 0.25V | 10 | 0.16 | 1 | 1.9 | .79 | .728 | .637 | .523 |
| 434-07HCP-101K | 07HCP-101K-50 | 100 | 1 @ 0.25V | 10 | 0.19 | 0.9 | 1.6 | .79 | .728 | .637 | .523 |
| 434-07HCP-121K | 07HCP-121K-50 | 120 | 1 @ 0.25V | 10 | 0.22 | 0.85 | 1 | .79 | .728 | .637 | .523 |
| 434-07HCP-221K | 07HCP-221K-50 | 220 | 1 @ 0.25V | 10 | 0.38 | 0.64 | 1.2 | .79 | .728 | .637 | .523 |
| 434-07HCP-331K | 07HCP-331K-50 | 330 | 1 @ 0.25V | 10 | 0.7 | 0.51 | 0.95 | .79 | .728 | .637 | .523 |
| 434-07HCP-391K | 07HCP-391K-50 | 390 | 1 @ 0.25V | 10 | 0.89 | 0.5 | 0.8 | .79 | .728 | .637 | .523 |
| 434-07HCP-471K | 07HCP-471K-50 | 470 | 1 @ 0.25V | 10 | 0.89 | 0.43 | 0.8 | .79 | .728 | .637 | .523 |
| 434-07HCP-821K | 07HCP-821K-50 | 820 | 1 @ 0.25V | 10 | 1.56 | 0.36 | 0.7 | .79 | .728 | .637 | .523 |
| 434-07HCP-102K | 07HCP-102K-50 | 1000 | 1 @ 0.25V | 10 | 1.84 | 0.3 | 0.5 | .79 | .728 | .637 | .523 |
| 434-07HCP-152K | 07HCP-152K-50 | 1500 | 1 @ 0.25V | 10 | 3.3 | 0.3 | 0.3 | .79 | .728 | .637 | .523 |
| 434-07HCP-182K | 07HCP-182K-50 | 1800 | 1 @ 0.25V | 10 | 3.3 | 0.21 | 0.35 | .79 | .728 | .637 | .523 |
| 434-07HCP-222K | 07HCP-222K-50 | 2200 | 1 @ 0.25V | 10 | 5.3 | 0.19 | 0.25 | .79 | .728 | .637 | .523 |
| 434-07HCP-272K | 07HCP-272K-50 | 2700 | 1 @ 0.25V | 10 | 6.8 | 0.24 | 0.17 | .79 | .728 | .637 | .523 |
| 434-07HCP-402K | 07HCP-402K-50 | 4000 | 1 @ 0.25V | 10 | 10.3 | 0.14 | 0.22 | .79 | .728 | .637 | .523 |
| 434-07HCP-103K | 07HCP-103K-50 | 10000 | 1 @ 0.25V | 10 | 24 | 0.14 | 0.17 | .79 | .728 | .637 | .523 |



High Current SMD Beads

FASTRON wide band chokes are commonly used in burner and signal filtering applications and protect against radio frequency interfaces of components on PCB's.

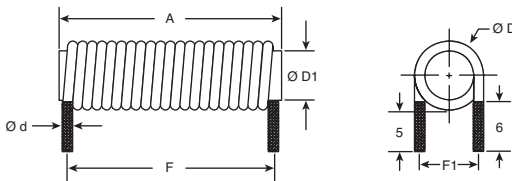
- Features:**
- Flat wire for high currents
 - Operating temperature from -55°C to +125°C (incl. self-comp heating)
- Applications:**
- To filter external EMI
 - Reduction of radiated interference and TV receivers
 - Voltage supply for high load currents



| MOUSER STOCK NO. | Fastron Part No. | Impedance Z (Ω Typ.) | | DCR max. (Ω) | Rated DC Current (A) | Price Each | | | Reel Quantity | Reel Price Ea. |
|------------------|------------------|----------------------|--------------|--------------|----------------------|------------|------|------|---------------|----------------|
| | | 56 @ 100MHz | 63 @ 300MHz | | | 1 | 50 | 100 | | |
| 434-SMB/001-999X | SMB/001-999X-01 | 56 @ 100MHz | 63 @ 300MHz | 0.01 | 5 | .29 | .24 | .227 | 500 | .189 |
| 434-SMB/002-999X | SMB/002-999X-01 | 100 @ 100MHz | 112 @ 300MHz | 0.015 | 5 | .32 | .265 | .227 | 500 | .202 |

Rod Core Chokes

- Features:**
- Rated current up to 10A
 - High mechanical stability
 - High saturation currents
 - Operating temperature: -40°C to +125°C
- Applications:**
- Switching regulators, SMPS
 - Motors
 - Power supplies
 - Broadband filtering
 - Noise Suppression



| MOUSER STOCK NO. | Fastron Part No. | Inductance (µH) | Tol. ± (%) | Rated DC Current (A) | Temp Rise Δ(°C) | ISAT (A) | DCR (Ω) | Dimensions (mm) | | | | | Price Each | | | Reel Quantity | Reel Price Ea. | |
|--------------------|------------------|-----------------|------------|----------------------|-----------------|----------|---------|-----------------|------|----|-----|------|------------|------|------|---------------|----------------|------|
| | | | | | | | | Ø d | Ø D1 | A | Ø D | F | F1 | 1 | 50 | | | 100 |
| 3RCC Series | | | | | | | | | | | | | | | | | | |
| 434-3RCC-1R8M | 3RCC-1R8M-00 | 1.8 | 20 | 2.5 | < 15 | 10.0 | 0.008 | 0.67 | 3.0 | 12 | 4.6 | 8.8 | 3.7 | 1.19 | .998 | .898 | 1500 | .447 |
| 434-3RCC-4R7M | 3RCC-4R7M-00 | 4.7 | 20 | 2.5 | < 15 | 5.0 | 0.012 | 0.67 | 3.0 | 20 | 4.6 | 13.0 | 3.7 | 1.19 | .998 | .898 | 1500 | .447 |
| 434-3RCC-7R0M | 3RCC-7R0M-00 | 7.0 | 20 | 1.9 | < 15 | 4.6 | 0.016 | 0.63 | 3.3 | 22 | 4.8 | 14.2 | 4.0 | 1.19 | .998 | .898 | 1500 | .447 |
| 434-3RCC-9R0M | 3RCC-9R0M-00 | 9.0 | 20 | 1.0 | < 15 | 3.7 | 0.020 | 0.63 | 3.3 | 22 | 4.8 | 17.5 | 4.0 | 1.19 | .998 | .898 | 1500 | .447 |
| 4RCC Series | | | | | | | | | | | | | | | | | | |
| 434-4RCC-1R8M | 4RCC-1R8M-00 | 1.8 | 20 | 10 | < 15 | 15.0 | 0.003 | 1.32 | 4.0 | 20 | 6.9 | 15.9 | 5.4 | 1.51 | 1.27 | 1.13 | 1000 | .632 |
| 434-4RCC-4R7M | 4RCC-4R7M-00 | 4.7 | 20 | 6 | < 15 | 8.2 | 0.007 | 1.00 | 4.0 | 25 | 6.3 | 18.4 | 5.1 | 1.41 | 1.18 | 1.06 | 1000 | .59 |
| 434-4RCC-7R0M | 4RCC-7R0M-00 | 7.0 | 20 | 5 | < 15 | 6.5 | 0.008 | 0.95 | 4.0 | 30 | 6.2 | 19.5 | 5.0 | 1.51 | 1.27 | 1.13 | 1000 | .632 |
| 434-4RCC-9R0M | 4RCC-9R0M-00 | 9.0 | 20 | 4 | < 15 | 5.6 | 0.015 | 0.85 | 4.0 | 30 | 6.0 | 20.1 | 4.9 | 1.51 | 1.27 | 1.13 | 1000 | .632 |
| 434-4RCC-120M | 4RCC-120M-00 | 12.0 | 20 | 2 | < 15 | 5.0 | 0.022 | 0.63 | 4.0 | 25 | 5.5 | 16.9 | 4.7 | 1.51 | 1.27 | 1.13 | 1000 | .632 |
| 5RCC Series | | | | | | | | | | | | | | | | | | |
| 434-5RCC-2R5M | 5RCC-2R5M-00 | 2.5 | 20 | 6.0 | < 15 | 18.0 | 0.005 | 1.00 | 5.0 | 20 | 7.3 | 11.0 | 6.1 | 1.65 | 1.38 | 1.24 | 800 | .691 |
| 434-5RCC-4R7M | 5RCC-4R7M-00 | 4.7 | 20 | 5.0 | < 15 | 13.0 | 0.008 | 0.95 | 5.0 | 25 | 7.2 | 14.5 | 6.0 | 1.65 | 1.38 | 1.24 | 800 | .691 |
| 434-5RCC-7R0M | 5RCC-7R0M-00 | 7.0 | 20 | 3.0 | < 15 | 11.0 | 0.017 | 0.71 | 5.0 | 20 | 6.7 | 15.3 | 5.7 | 1.65 | 1.38 | 1.24 | 800 | .691 |
| 434-5RCC-100M | 5RCC-100M-00 | 10.0 | 20 | 2.0 | < 15 | 9.0 | 0.027 | 0.63 | 5.0 | 20 | 6.5 | 16.2 | 5.7 | 1.65 | 1.38 | 1.24 | 800 | .691 |
| 434-5RCC-120M | 5RCC-120M-00 | 12.0 | 20 | 2.5 | < 15 | 8.5 | 0.024 | 0.63 | 5.0 | 25 | 6.5 | 14.9 | 5.7 | 1.65 | 1.38 | 1.24 | 800 | .691 |
| 434-5RCC-250M | 5RCC-250M-00 | 25.0 | 20 | 1.0 | < 15 | 5.0 | 0.038 | 0.63 | 5.0 | 30 | 6.5 | 22.8 | 5.7 | 1.71 | 1.43 | 1.29 | 800 | .716 |
| 6RCC Series | | | | | | | | | | | | | | | | | | |
| 434-6RCC-4R0M | 6RCC-4R0M-00 | 4 | 20 | 10.0 | < 15 | 22.0 | 0.005 | 1.32 | 6.0 | 25 | 8.9 | 18.7 | 7.4 | 1.96 | 1.64 | 1.46 | 500 | 1.14 |
| 434-6RCC-6R0M | 6RCC-6R0M-00 | 6 | 20 | 7.0 | < 15 | 17.0 | 0.008 | 1.06 | 6.0 | 25 | 8.4 | 18.4 | 7.1 | 1.96 | 1.64 | 1.46 | 500 | 1.14 |
| 434-6RCC-100M | 6RCC-100M-00 | 10.0 | 20 | 5.0 | < 15 | 14.0 | 0.013 | 0.95 | 6.0 | 25 | 8.2 | 22.4 | 7.0 | 1.96 | 1.64 | 1.46 | 500 | 1.14 |
| 434-6RCC-150M | 6RCC-150M-00 | 15.0 | 20 | 2.0 | < 15 | 10.0 | 0.030 | 0.63 | 6.0 | 25 | 7.5 | 16.2 | 6.7 | 1.96 | 1.64 | 1.46 | 500 | 1.14 |
| 434-6RCC-220M | 6RCC-220M-00 | 22.0 | 20 | 2.0 | < 15 | 7.8 | 0.034 | 0.63 | 6.0 | 30 | 7.5 | 18.2 | 6.7 | 1.96 | 1.64 | 1.46 | 500 | 1.14 |
| 434-6RCC-300M | 6RCC-300M-00 | 30.0 | 20 | 2.0 | < 15 | 7.0 | 0.046 | 0.63 | 6.0 | 30 | 7.5 | 24.2 | 6.7 | 1.96 | 1.64 | 1.46 | 500 | 1.14 |