

COILTRONICS® Uni-Pac™ SMT Power Inductors



Features:

- Miniature surface mount design
- Inductance range from 0.470µH to 1000µH
- Current range from 19.2 to .47 Amps
- Maximum power density
- Ideal for applications requiring low inductance and high current in a miniature package

Applications:

- DC-DC converters on board level and industrial products

Environmental Data:

- Storage temperature range: -40°C to +125°C
- Operating ambient temperature range: -40°C to +85°C
- Solder reflow temperature: +260°C max. for 10 seconds max.

Packaging:

- Supplied in tape and reel packaging, 900 (UP1B), 550 (UP2B), 450 (UP3B), and 275 (UP4B) per reel

RoHS Compliant This product is RoHS compliant.

UP1B SERIES

For quantities greater than listed, call for quote.

MOUSER STOCK NO.	Coiltronics Part No.	Fig.	Value (µH)	Open Circuit Value (µH)	Irms (A)	Isat (A)	DCR (Ω) Max.	Price Each			
								1	50	100	500
704-UP1B-R47-R	UP1B-R47-R	A	0.47	0.569	6.0	7.7	0.0097	1.30	.828	.751	.614
704-UP1B-1R0-R	UP1B-1R0-R	A	1.0	1.20	4.4	5.3	0.0177	1.30	.828	.751	.614
704-UP1B-1R5-R	UP1B-1R5-R	A	1.5	1.61	4.2	4.5	0.020	1.41	.939	.848	.768
704-UP1B-2R2-R	UP1B-2R2-R	A	2.2	2.62	3.1	3.5	0.0363	1.30	.828	.751	.614
704-UP1B-3R3-R	UP1B-3R3-R	A	3.3	3.79	2.9	3.0	0.0428	1.41	.94	.85	.77
704-UP1B-4R7-R	UP1B-4R7-R	A	4.7	5.15	2.2	2.6	0.0544	1.30	.828	.751	.614
704-UP1B-6R8-R	UP1B-6R8-R	A	6.8	6.87	1.7	2.2	0.0897	1.41	.939	.853	.766
704-UP1B-100-R	UP1B-100-R	A	10	11.0	1.5	1.9	0.1107	1.30	.828	.751	.614
704-UP1B-150-R	UP1B-150-R	A	15	16.0	1.2	1.5	0.1747	1.30	.828	.751	.614
704-UP1B-220-R	UP1B-220-R	A	22	23.5	1.0	1.2	0.2541	1.30	.828	.751	.614
704-UP1B-330-R	UP1B-330-R	A	33	36.0	0.82	0.99	0.367	1.30	.828	.751	.614
704-UP1B-470-R	UP1B-470-R	A	47	48.5	0.72	0.87	0.474	1.30	.828	.751	.614
704-UP1B-680-R	UP1B-680-R	A	68	73.52	0.58	0.67	0.732	1.30	.828	.751	.614
704-UP1B-101-R	UP1B-101-R	A	100	112.67	0.47	0.53	1.11	1.30	.828	.751	.614
704-UP1B-151-R	UP1B-151-R	A	150	152.4	0.40	0.46	1.61	1.30	.828	.751	.614
704-UP1B-221-R	UP1B-221-R	A	220	223.1	0.36	0.38	1.96	1.30	.828	.751	.614
704-UP1B-331-R	UP1B-331-R	A	330	331.9	0.28	0.31	3.10	1.30	.828	.751	.614

UP2B SERIES

For quantities greater than listed, call for quote.

MOUSER STOCK NO.	Coiltronics Part No.	Fig.	Value (µH)	Open Circuit Value (µH)	Irms (A)	Isat (A)	DCR (Ω) Max.	Price Each			
								1	55	110	220
704-UP2B-R47-R	UP2B-R47-R	B	0.47	0.595	10.6	11.4	0.0049	1.67	1.11	1.02	.924
704-UP2B-1R0-R	UP2B-1R0-R	B	1.0	1.0	9.3	9.9	0.0065	1.60	.92	.802	.752
704-UP2B-1R5-R	UP2B-1R5-R	B	1.5	1.46	8.3	7.9	0.0081	1.67	1.11	1.02	.924
704-UP2B-2R2-R	UP2B-2R2-R	B	2.2	2.56	7.2	6.1	0.0107	1.60	.92	.802	.752
704-UP2B-3R3-R	UP2B-3R3-R	B	3.3	3.23	6.5	5.1	0.0128	1.60	.92	.802	.752
704-UP2B-4R7-R	UP2B-4R7-R	B	4.7	4.77	5.5	4.2	0.0165	1.60	.92	.802	.752
704-UP2B-6R8-R	UP2B-6R8-R	B	6.8	6.63	5.0	3.6	0.0202	1.67	1.11	1.02	.924
704-UP2B-100-R	UP2B-100-R	B	10	9.73	4.3	3.3	0.0267	1.60	.92	.802	.752
704-UP2B-150-R	UP2B-150-R	B	15	15.43	3.5	2.4	0.041	1.60	.92	.802	.752
704-UP2B-220-R	UP2B-220-R	B	22	22.5	2.8	2.0	0.0617	1.60	.92	.802	.752
704-UP2B-330-R	UP2B-330-R	B	33	33.13	2.1	1.7	0.0917	1.60	.92	.802	.752
704-UP2B-470-R	UP2B-470-R	B	47	48.65	1.7	1.4	0.1388	1.60	.92	.802	.752
704-UP2B-680-R	UP2B-680-R	B	68	68.17	1.5	1.2	0.1787	1.60	.92	.802	.752
704-UP2B-820-R	UP2B-820-R	B	82	84.1	1.34	1.03	0.2235	1.67	1.11	1.02	.924
704-UP2B-101-R	UP2B-101-R	B	100	102.6	1.2	0.95	0.2707	1.60	.92	.802	.752
704-UP2B-151-R	UP2B-151-R	B	150	150	1.0	0.77	0.41	1.60	.92	.802	.752
704-UP2B-221-R	UP2B-221-R	B	220	223	0.773	0.637	0.6717	1.60	.92	.802	.752
704-UP2B-331-R	UP2B-331-R	B	330	338	0.676	0.510	0.8783	1.60	.92	.802	.752
704-UP2B-471-R	UP2B-471-R	B	470	471	0.553	0.427	1.31	1.67	1.11	1.01	.927
704-UP2B-681-R	UP2B-681-R	B	680	700	0.452	0.355	1.97	1.67	1.11	1.02	.924
704-UP2B-821-R	UP2B-821-R	B	820	823	0.423	0.334	2.24	1.67	1.11	1.02	.924
704-UP2B-102-R	UP2B-102-R	B	1000	1005	0.369	0.300	2.96	1.67	1.11	1.02	.924

UP3B SERIES

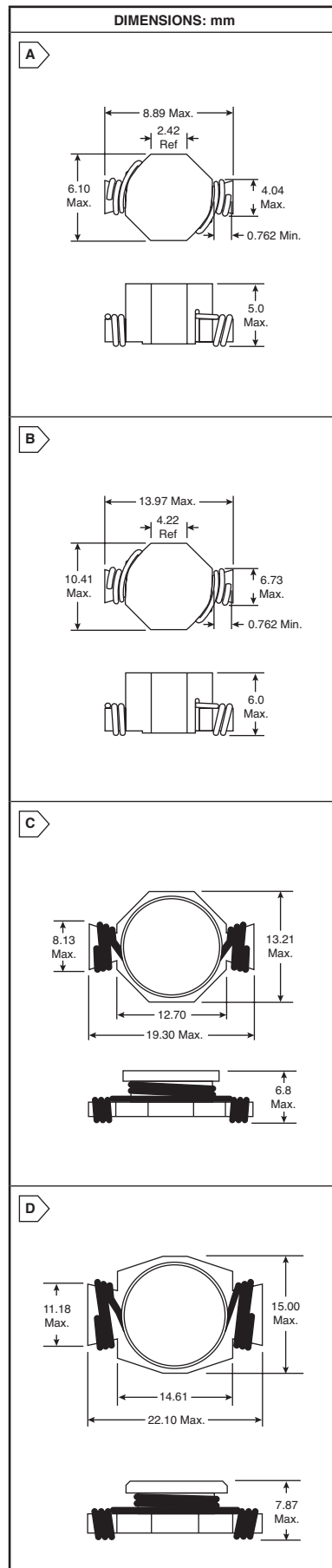
For quantities greater than listed, call for quote.

MOUSER STOCK NO.	Coiltronics Part No.	Fig.	Value (µH)	Open Circuit Value (µH)	Irms (A)	Isat (A)	DCR (Ω) Max.	Price Each			
								1	25	50	100
704-UP3B-R47-R	UP3B-R47-R	C	0.47	0.452	16	25.1	0.0021	2.04	1.36	1.23	1.12
704-UP3B-1R0-R	UP3B-1R0-R	C	1.0	1.34	12.5	15.3	0.0034	1.90	1.26	1.14	1.04
704-UP3B-1R5-R	UP3B-1R5-R	C	1.5	2.08	10	12	0.0053	2.04	1.36	1.23	1.12
704-UP3B-2R2-R	UP3B-2R2-R	C	2.2	3.01	9.2	10.2	0.0074	1.90	1.26	1.14	1.04
704-UP3B-3R3-R	UP3B-3R3-R	C	3.3	3.96	8.0	9.3	0.0083	1.90	1.26	1.14	1.04
704-UP3B-4R7-R	UP3B-4R7-R	C	4.7	5.0	6.5	7.7	0.0114	1.90	1.26	1.14	1.04
704-UP3B-6R8-R	UP3B-6R8-R	C	6.8	7.7	5.8	6.2	0.0183	2.04	1.36	1.23	1.12
704-UP3B-100-R	UP3B-100-R	C	10	11.0	4.3	5.2	0.026	1.90	1.26	1.14	1.04
704-UP3B-150-R	UP3B-150-R	C	15	16.38	3.9	4.3	0.0317	2.04	1.36	1.23	1.12
704-UP3B-220-R	UP3B-220-R	C	22	23.93	3.1	3.7	0.049	1.90	1.26	1.14	1.04
704-UP3B-330-R	UP3B-330-R	C	33	33.85	2.4	3.0	0.0688	1.90	1.26	1.14	1.04
704-UP3B-470-R	UP3B-470-R	C	47	51	1.9	2.4	0.1082	1.90	1.26	1.14	1.04
704-UP3B-680-R	UP3B-680-R	C	68	69.5	1.6	2.0	0.1558	1.90	1.26	1.14	1.04
704-UP3B-101-R	UP3B-101-R	C	100	101.4	1.4	1.8	0.2053	1.90	1.26	1.14	1.04
704-UP3B-151-R	UP3B-151-R	C	150	152.9	1.2	1.4	0.296	1.90	1.26	1.14	1.04
704-UP3B-331-R	UP3B-331-R	C	330	332.8	0.75	0.98	0.733	1.90	1.26	1.14	1.04

UP4B SERIES

For quantities greater than listed, call for quote.

MOUSER STOCK NO.	Coiltronics Part No.	Fig.	Value (µH)	Open Circuit Value (µH)	Irms (A)	Isat (A)	DCR (Ω) Max.	Price Each			
								1	25	50	100
704-UP4B-R47-R	UP4B-R47-R	D	0.47	0.473	19.2	51.7	0.0019	2.29	1.53	1.39	1.27
704-UP4B-1R0-R	UP4B-1R0-R	D	1.0	0.916	17.3	37.3	0.0023	2.34	1.61	1.46	1.15
704-UP4B-1R5-R	UP4B-1R5-R	D	1.5	1.52	13.4	28.9	0.0039	2.29	1.53	1.39	1.27
704-UP4B-2R2-R	UP4B-2R2-R	D	2.2	2.27	12	23.7	0.0048	2.30	1.53	1.39	1.27
704-UP4B-3R3-R	UP4B-3R3-R	D	3.3	3.14	11	20.2	0.0057	2.29	1.53	1.39	1.27
704-UP4B-4R7-R	UP4B-4R7-R	D	4.7	5.34	8.6	15.6	0.0093	2.29	1.53	1.39	1.27
704-UP4B-6R8-R	UP4B-6R8-R	D	6.8	6.66	8.3	14.1	0.01	2.34	1.61	1.46	1.15
704-UP4B-100-R	UP4B-100-R	D	10	9.77	6.8	11.5	0.015	2.34	1.61	1.46	1.15
704-UP4B-150-R	UP4B-150-R	D	15	15.61	5.5	9.1	0.023	2.34	1.61	1.46	1.15
704-UP4B-220-R	UP4B-220-R	D	22	22.61	4.5	7.6	0.034	2.34	1.61	1.46	1.15
704-UP4B-330-R	UP4B-330-R	D	33	34.3	3.7	6.1	0.052	2.34	1.61	1.46	1.15
704-UP4B-470-R	UP4B-470-R	D	47	48.1	3.1	5.2	0.074	2.34	1.61	1.46	1.15
704-UP4B-680-R	UP4B-680-R	D	68	69.14	2.4	4.3	0.12	2.34	1.61	1.46	1.15
704-UP4B-101-R	UP4B-101-R	D	100	99.42	2.0	3.6	0.17	2.34	1.61	1.46	1.15
704-UP4B-151-R	UP4B-151-R	D	150	146.9	1.7	3.0	0.2392	2.34	1.61	1.46	1.15
704-UP4B-221-R	UP4B-221-R	D	220	221.4	1.4	2.4	0.3571	2.34	1.61	1.46	1.15
704-UP4B-331-R	UP4B-331-R	D	330	330	1.1	2.0	0.58	2.29	1.53	1.39	1.27
704-UP4B-471-R	UP4B-471-R	D	470	470.1	0.91	1.7	0.833	2.29	1.53	1.39	1.27



Inductors
Coiltronics