

BOURNS SRR Series Shielded SMD Power Inductors

RoHS Compliant This product is RoHS compliant.

SRR SERIES SHIELDED SMD POWER INDUCTORS

Applications:

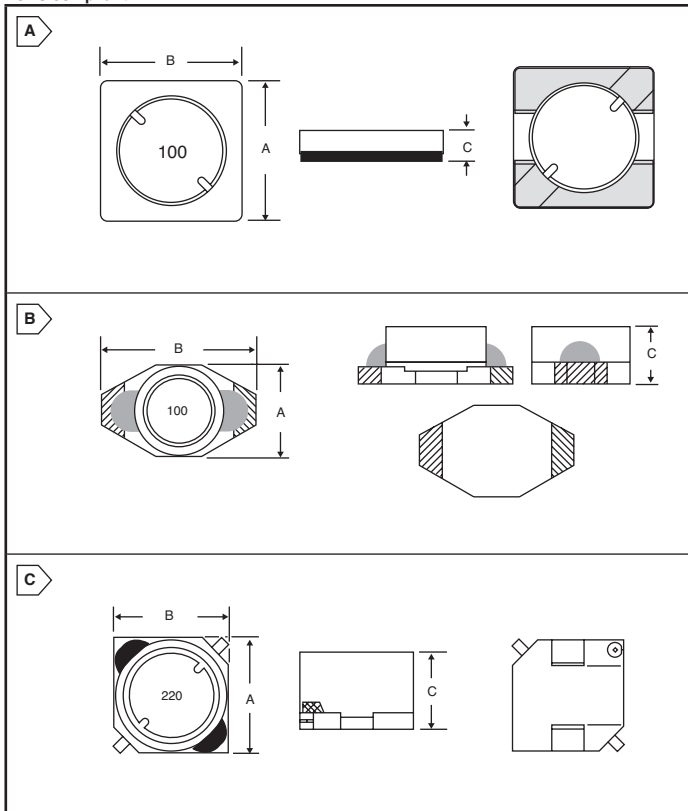
- Input/output of DC/DC converters
- Power supplies for: Portable communication equipment
Camcorders
LCD TVs
Car radios

Specifications:

- Test voltage: 0.1V, 100 KHz
- Reflow soldering: 230°C, 50 sec. max.
- Operating/storage temperature: -40°C to +125°C
- Resistance to soldering heat: 260°C, 10 sec.

For quantities greater than listed, call for quote.

Series	Dimensions: mm (in.)			Price Each		Reel Qty.	Price Per Piece
	A	B	C	1	100		
SRR6028	6.8 (.268)	6.8 (.268)	2.8 (.110)	.67	.52	500	.29
SRR6038	6.8 (.268)	6.8 (.268)	3.8 (.150)	.67	.52	1000	.29
SRR6603	6.6 (.260)	4.4 (.173)	3.0 (.118)	1.09	.85	600	.51
SRR7032	7.0 (.276)	7.0 (.276)	3.2 (.126)	.62	.52	1500	.29
SRR7045	7.0 (.276)	7.0 (.276)	4.5 (.177)	.67	.52	1000	.29



Inductors

BOURNS

SRR6028 Series

MOUSER STOCK NO.		Fig.	Inductance 100kHz (μH)	Q Ref.	Test Freq. MHz	SRF MHz(Typ.)
Mfr.	Mfr. Part No.					
652	SRR6028-2R5Y	A	2.5	8.5	7.96	70
652	SRR6028-3R3Y	A	3.3	10.0	7.96	43
652	SRR6028-3R9Y	A	3.9	9.0	7.96	47
652	SRR6028-5R0Y	A	5.0	7.5	7.96	50
652	SRR6028-6R0Y	A	6.0	9.0	7.96	48
652	SRR6028-7R3Y	A	7.3	6.0	7.96	38
652	SRR6028-100Y	A	10	11.0	2.52	29
652	SRR6028-120Y	A	12	10.0	2.52	24
652	SRR6028-150Y	A	15	9.5	2.52	23
652	SRR6028-180Y	A	18	9.0	2.52	21
652	SRR6028-220Y	A	22	8.5	2.52	19
652	SRR6028-270Y	A	27	9.0	2.52	19
652	SRR6028-330Y	A	33	10.0	2.52	14
652	SRR6028-390Y	A	39	10.0	2.52	17
652	SRR6028-470Y	A	47	10.0	2.52	11
652	SRR6028-560Y	A	56	10.0	0.796	15
652	SRR6028-680Y	A	68	11.0	0.796	10.5
652	SRR6028-820Y	A	82	9.0	0.796	14
652	SRR6028-101Y	A	100	8.5	0.796	7
652	SRR6028-151Y	A	150	12.0	0.796	6.8
652	SRR6028-221Y	A	220	15.0	0.796	5.8
652	SRR6028-331Y	A	330	11.0	0.796	3.8
652	SRR6028-471Y	A	470	11.0	0.796	3.3
652	SRR6028-681Y	A	680	13.0	0.796	2.9
652	SRR6028-102Y	A	1000	32.0	0.252	2.6

SRR6038 Series

MOUSER STOCK NO.		Fig.	Inductance 100kHz (μH)	Q Ref.	Test Freq. MHz	SRF MHz(Typ.)
Mfr.	Mfr. Part No.					
652	SRR6038-3R3Y	A	3.3	9.8	7.96	75.9
652	SRR6038-5R0Y	A	5.0	8.9	7.96	42.6
652	SRR6038-6R2Y	A	6.2	9.0	7.96	42.3
652	SRR6038-7R4Y	A	7.4	7.5	7.96	32.9
652	SRR6038-8R2Y	A	8.2	7.4	7.96	29.6
652	SRR6038-8R7Y	A	8.7	7.3	7.96	27.5
652	SRR6038-100Y	A	10	8.8	2.52	24.9
652	SRR6038-120Y	A	12	8.3	2.52	17.9
652	SRR6038-150Y	A	15	8.6	2.52	18.0
652	SRR6038-180Y	A	18	8.0	2.52	13.8
652	SRR6038-220Y	A	22	8.8	2.52	13.9
652	SRR6038-270Y	A	27	7.7	2.52	12.5
652	SRR6038-330Y	A	33	8.6	2.52	12.5
652	SRR6038-390Y	A	39	8.3	2.52	11.8
652	SRR6038-470Y	A	47	8.5	2.52	10.4
652	SRR6038-560Y	A	56	8.2	2.52	8.8
652	SRR6038-680Y	A	68	7.4	2.52	7.5
652	SRR6038-820Y	A	82	7.6	2.52	7.6
652	SRR6038-101Y	A	100	6.7	0.796	6.2

SRR6603 Series

MOUSER STOCK NO.		Fig.	Inductance 100kHz (μH)	Q Ref.	Test Freq. MHz	SRF MHz(Typ.)
Mfr.	Mfr. Part No.					
652	SRR6603-221ML	B	220	40	100	6
652	SRR6603-152ML	B	1500	50	100	2
652	SRR6603-332ML	B	3300	50	100	1
652	SRR6603-472ML	B	4700	50	100	1
652	SRR6603-103ML	B	10000	50	100	0.8

SRR7032 Series

- Test voltage: 0.5V

MOUSER STOCK NO.		Fig.	Inductance 100kHz (μH)	Q Ref.	Test Freq. MHz	SRF MHz(Typ.)
Mfr.	Mfr. Part No.					
652	SRR7032-3R3M	C	3.3	16	7.96	55
652	SRR7032-4R7M	C	4.7	16	7.96	43
652	SRR7032-6R8M	C	6.8	17	7.96	37
652	SRR7032-100M	C	10	25	2.52	35
652	SRR7032-150M	C	15	22	2.52	32
652	SRR7032-220M	C	22	20	2.52	29
652	SRR7032-330M	C	33	23	2.52	20
652	SRR7032-470M	C	47	26	2.52	18
652	SRR7032-680M	C	68	22	2.52	16
652	SRR7032-101M	C	100	28	0.796	12
652	SRR7032-151M	C	150	35	0.796	10
652	SRR7032-221M	C	220	47	0.796	7.5
652	SRR7032-331M	C	330	46	0.796	6.1
652	SRR7032-471M	C	470	34	0.796	5.1
652	SRR7032-681M	C	680	58	0.796	3.8
652	SRR7032-102M	C	1000	120	0.252	3.1

SRR7045 Series

MOUSER STOCK NO.		Fig.	Inductance 100kHz (μH)	Q Ref.	Test Freq. MHz	SRF MHz(Typ.)
Mfr.	Mfr. Part No.					
652	SRR7045-1R0M	C	1.0	10	7.96	60
652	SRR7045-2R7M	C	2.7	10	7.96	60
652	SRR7045-3R3M	C	3.3	10	7.96	43
652	SRR7045-3R9M	C	3.9	10	7.96	40
652	SRR7045-4R7M	C	4.7	10	7.96	35
652	SRR7045-5R6M	C	5.6	10	7.96	33
652	SRR7045-6R8M	C	6.8	10	7.96	28
652	SRR7045-100M	C	10	30	2.52	25
652	SRR7045-150M	C	15	31	2.52	24
652	SRR7045-220M	C	22	26	2.52	18
652	SRR7045-270M	C	27	25	2.52	18
652	SRR7045-330M	C	33	25	2.52	12
652	SRR7045-390M	C	39	26	2.52	13
652	SRR7045-470M	C	47	29	2.52	11
652	SRR7045-680M	C	68	22	2.52	10
652	SRR7045-820M	C	82	22	2.52	9
652	SRR7045-101M	C	100	40	0.796	8
652	SRR7045-151M	C	150	51	0.796	7
652	SRR7045-221M	C	220	44	0.796	5
652	SRR7045-271M	C	270	30	0.796	5
652	SRR7045-331M	C	330	65	0.796	4
652	SRR7045-391M	C	390	27	0.796	5
652	SRR7045-471M	C	470	80	0.796	3
652	SRR7045-681M	C	680	65	0.796	3
652	SRR7045-821M	C	820	26	0.796	3
652	SRR7045-102M	C	1000	90	0.252	3