

# BOURNS SRR Series Shielded SMD Power Inductors



RoHS Compliant This product is RoHS compliant.

## SRR SERIES SHIELDED SMD POWER INDUCTORS

### Specifications:

- Test Voltage: 1 Volt
- Reflow Soldering: 230°C, 50 sec. max.
- Operating/Storage Temperature: -40°C to +125°C
- Resistance to solder heat: 260°C for 10 sec.

### Applications:

- Input/output of DC/DC converters
- Power supplies for:
  - Portable communication equipment
  - LCD TVs
  - Camcorders
  - Car radios

For quantities greater than listed, call for quote.

Series	Dimensions: mm (in.)			Price Each		Reel Qty.	Price Per Piece
	A	B	C	1	100		
SRR1280	12.5 (.492)	12.5 (.492)	7.5 (.295)	1.09	.85	400	.47
SRR1806	18.3 (.720)	14.0 (.551)	6.8 (.268)	1.01	.78	250	.47
SRR4018	4.8 (.189)	4.8 (.189)	1.8 (.071)	.67	.52	800	.29
SRR4028	4.8 (.189)	4.8 (.189)	2.8 (.110)	.67	.52	500	.29
SRR5018	5.8 (.228)	5.8 (.228)	1.8 (.071)	.67	.52	500	.29
SRR5028	5.8 (.228)	5.8 (.228)	2.8 (.110)	.67	.52	400	.29

### SRR1280 Series

### SRR4028 Series

• Test Voltage: 0.1 Volt, 100 KHz

MOUSER STOCK NO.		Fig.	Inductance 1kHz (µH)	Q Ref.	Test Freq. MHz	SRF MHz (Min.)
Mfr.	Mfr. Part No.					
652—SRR1280-1R1Y	A	1.1	26	7.96	85	
652—SRR1280-1R2Y	A	1.2	28	7.96	83	
652—SRR1280-1R4Y	A	1.4	24	7.96	80	
652—SRR1280-2R4Y	A	2.4	20	7.96	45	
652—SRR1280-3R3Y	A	3.3	20	7.96	40	
652—SRR1280-4R5Y	A	4.5	20	7.96	34	
652—SRR1280-4R7Y	A	4.7	22	7.96	30	
652—SRR1280-100M	A	10	24	2.52	17	
652—SRR1280-120M	A	12	26	2.52	15	
652—SRR1280-180M	A	18	24	2.52	12	
652—SRR1280-220M	A	22	20	2.52	11	
652—SRR1280-270M	A	27	26	2.52	10	
652—SRR1280-330M	A	33	28	2.52	9.5	
652—SRR1280-390M	A	39	24	2.52	8.5	
652—SRR1280-470M	A	47	24	2.52	7.5	
652—SRR1280-680M	A	68	20	2.52	6.5	
652—SRR1280-820M	A	82	20	0.796	5.0	
652—SRR1280-121K	A	120	16	0.796	4.3	
652—SRR1280-151K	A	150	24	0.796	4.1	
652—SRR1280-181K	A	180	24	0.796	4.0	
652—SRR1280-221K	A	220	24	0.796	3.4	
652—SRR1280-271K	A	270	20	0.796	3.1	
652—SRR1280-331K	A	330	18	0.796	2.9	
652—SRR1280-391K	A	390	20	0.796	2.7	
652—SRR1280-471K	A	470	20	0.796	2.2	
652—SRR1280-681K	A	680	26	0.796	1.7	
652—SRR1280-821K	A	820	20	0.796	1.4	
652—SRR1280-102K	A	1000	40	0.252	1.3	

MOUSER STOCK NO.		Fig.	Inductance 1kHz (µH)	Q Ref.	Test Freq. MHz	SRF MHz (Min.)
Mfr.	Mfr. Part No.					
652—SRR4028-1R2Y	C	1.2	9.34	7.96	176	
652—SRR4028-2R7Y	C	2.7	8.64	7.96	92	
652—SRR4028-3R3Y	C	3.3	7.72	7.96	76	
652—SRR4028-3R9Y	C	3.9	8.58	7.96	56	
652—SRR4028-4R7Y	C	4.7	8.12	7.96	55	
652—SRR4028-5R6Y	C	5.6	9.56	7.96	69	
652—SRR4028-6R8Y	C	6.8	9.62	7.96	77	
652—SRR4028-8R2Y	C	8.2	8.24	7.96	45	
652—SRR4028-100Y	C	10	11.26	2.52	34	
652—SRR4028-150Y	C	15	9.66	2.52	27	
652—SRR4028-220Y	C	22	8.26	2.52	23	
652—SRR4028-270Y	C	27	10.76	2.52	18	
652—SRR4028-330Y	C	33	9.70	2.52	16	
652—SRR4028-390Y	C	39	9.74	2.52	14	
652—SRR4028-470Y	C	47	10.88	2.52	13	
652—SRR4028-680Y	C	68	8.42	2.52	11	
652—SRR4028-820Y	C	82	8.60	2.52	8	
652—SRR4028-101Y	C	100	8.78	0.796	9	
652—SRR4028-151Y	C	150	11.72	0.796	6	
652—SRR4028-221Y	C	220	11.30	0.796	5	
652—SRR4028-271Y	C	270	17.46	0.796	5	
652—SRR4028-331Y	C	330	16.48	0.796	5	
652—SRR4028-391Y	C	390	13.18	0.796	4	
652—SRR4028-471Y	C	470	13.26	0.796	3	

### SRR5018 Series

MOUSER STOCK NO.		Fig.	Inductance 1kHz (µH)	Q Ref.	Test Freq. MHz	SRF MHz (Min.)
Mfr.	Mfr. Part No.					
652—SRR5018-1R2Y	C	1.2	9.2	7.96	118	
652—SRR5018-3R0Y	C	3.0	8.3	7.96	79	
652—SRR5018-3R9Y	C	3.9	8	7.96	64	
652—SRR5018-6R2Y	C	6.2	7.5	7.96	51	
652—SRR5018-7R5Y	C	7.5	7.9	7.96	42	
652—SRR5018-8R9Y	C	8.9	7.3	7.96	40	
652—SRR5018-100Y	C	10	11	2.52	41	
652—SRR5018-150Y	C	15	12.7	2.52	32	
652—SRR5018-180Y	C	18	8.8	2.52	29	
652—SRR5018-220Y	C	22	14.7	2.52	22	
652—SRR5018-270Y	C	27	10.2	2.52	21	
652—SRR5018-330Y	C	33	10.9	2.52	20	
652—SRR5018-390Y	C	39	10.6	2.52	17	
652—SRR5018-470Y	C	47	8.9	2.52	14	
652—SRR5018-560Y	C	56	8.9	2.52	13	
652—SRR5018-680Y	C	68	9.9	2.52	12	
652—SRR5018-820Y	C	82	9.1	2.52	11	
652—SRR5018-101Y	C	100	13.1	0.796	10	
652—SRR5018-151Y	C	150	11.8	0.796	11	
652—SRR5018-181Y	C	180	13.6	0.796	10	
652—SRR5018-221Y	C	220	8.7	0.796	8	

### SRR5028 Series

MOUSER STOCK NO.		Fig.	Inductance 1kHz (µH)	Q Ref.	Test Freq. MHz	SRF MHz (Min.)
Mfr.	Mfr. Part No.					
652—SRR5028-3R0Y	C	3.0	7	7.96	65	
652—SRR5028-4R2Y	C	4.2	7	7.96	51	
652—SRR5028-6R2Y	C	6.2	7	7.96	39	
652—SRR5028-8R2Y	C	8.2	7	7.96	34	
652—SRR5028-100Y	C	10	9	2.52	30	
652—SRR5028-150Y	C	15	9	2.52	22	
652—SRR5028-180Y	C	18	10	2.52	20	
652—SRR5028-220Y	C	22	7	2.52	20	
652—SRR5028-270Y	C	27	10	2.52	17	
652—SRR5028-330Y	C	33	11	2.52	13	
652—SRR5028-390Y	C	39	8	2.52	13	
652—SRR5028-470Y	C	47	7	2.52	13	
652—SRR5028-560Y	C	56	9	2.52	12	
652—SRR5028-680Y	C	68	8	2.52	11	
652—SRR5028-820Y	C	82	8	2.52	9.0	
652—SRR5028-101Y	C	100	8	0.796	8.0	
652—SRR5028-151Y	C	150	7	0.796	7.5	
652—SRR5028-221Y	C	220	7	0.796	6.5	
652—SRR5028-331Y	C	330	8	0.796	5.0	
652—SRR5028-471Y	C	470	12	0.796	5.0	
652—SRR5028-561Y	C	560	12	0.796	4.0	
652—SRR5028-681Y	C	680	11	0.796	3.0	

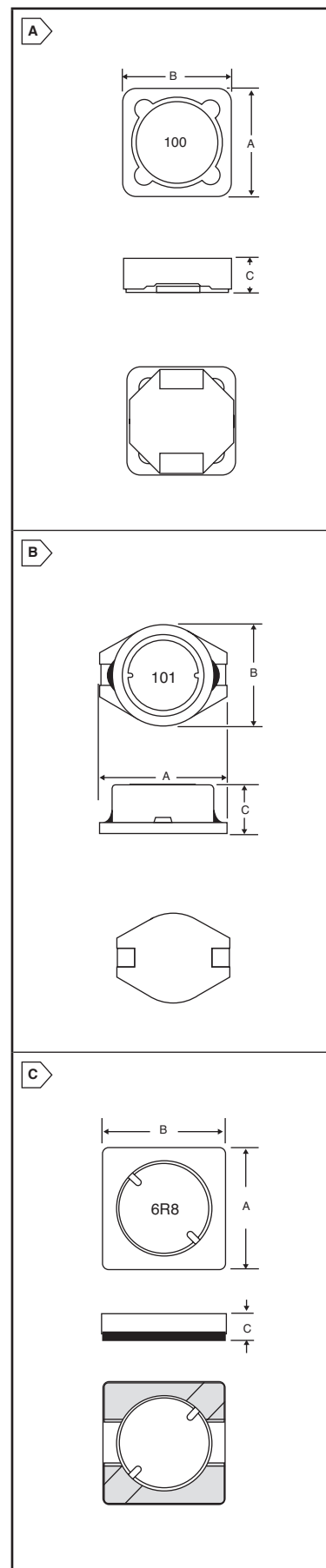
### SRR1806 Series

MOUSER STOCK NO.		Fig.	Inductance 1kHz (µH)	Q Ref.	Test Freq. MHz	SRF MHz (Min.)
Mfr.	Mfr. Part No.					
652—SRR1806-100M	B	10	56	2.52	19.0	
652—SRR1806-150M	B	15	53	2.52	17.5	
652—SRR1806-220M	B	22	51	2.52	16.0	
652—SRR1806-470M	B	47	40	2.52	8.0	
652—SRR1806-680M	B	68	37	2.52	6.0	
652—SRR1806-151M	B	150	39	0.796	4.3	
652—SRR1806-221M	B	220	29	0.796	3.5	
652—SRR1806-331M	B	330	30	0.796	3.0	
652—SRR1806-471M	B	470	27	0.796	2.4	

### SRR4018 Series

• Test Voltage: 0.1V, 100KHz

MOUSER STOCK NO.		Fig.	Inductance 1kHz (µH)	Q Ref.	Test Freq. MHz	SRF MHz (Min.)
Mfr.	Mfr. Part No.					
652—SRR4018-1R0Y	C	1.0	9	7.960	219	
652—SRR4018-3R3Y	C	3.3	8	7.960	61	
652—SRR4018-4R7Y	C	4.7	8	7.960	55	
652—SRR4018-6R8Y	C	6.8	8	7.960	49	
652—SRR4018-8R2Y	C	8.2	7	7.960	40	
652—SRR4018-100Y	C	10	10	2.520	38	
652—SRR4018-150Y	C	15	8	2.520	30	
652—SRR4018-220Y	C	22	7	2.520	29	
652—SRR4018-270Y	C	27	7	2.520	23	
652—SRR4018-330Y	C	33	7	2.520	21	
652—SRR4018-390Y	C	39	8	2.520	19	
652—SRR4018-470Y	C	47	8	2.520	20	
652—SRR4018-680Y	C	68	7	2.520	13	
652—SRR4018-101Y	C	100	10	0.796	12	
652—SRR4018-151Y	C	150	14	0.796	10	
652—SRR4018-181Y	C	180	10	0.796	10	



Inductors

Bourns