

# BOURNS SRR Series Shielded SMD Power Inductors



RoHS Compliant This product is RoHS compliant.

## SRR SERIES SHIELDED SMD POWER INDUCTORS

### Specifications:

- Test Voltage: 1V
- Reflow Soldering: 230°C, 50 sec. max.
- Operating/Storage Temp.: -40°C to +125°C
- Resistance to solder heat: 260°C, 5 sec.

### Applications:

- Input/output of DC/DC converters
- Power supplies for: Portable communication equipment  
Camcorders  
LCD TVs  
Car radios

For quantities greater than listed, call for quote.

Series	Dimensions: mm(in.)			Price Each		Reel Qty.	Price Per Piece
	A	B	C	1	100		
SRR0604	6.5(.256)	6.5(.256)	4.8(.189)	.72	.42	1000	.34
SRR0905	9.9(.390)	2.9(.114)	4.5(.177)	.95	.74	800	.41
SRR1005	12.7(.500)	10.0(.393)	5.2(.205)	.84	.66	600	.41
SRR1205	12.7(.500)	12.7(.500)	5.5(.217)	.91	.77	600	.406
SRR1206	12.7(.500)	12.7(.500)	6.5(.256)	.77	.49	600	.42
SRR1208	12.5(.492)	12.5(.492)	6.5(.236)	.91	.49	400	.42
SRR1210	12.0(.472)	12.0(.472)	10.0(.394)	1.09	.59	250	.56
SRR1240	12.5(.492)	12.5(.492)	4.0(.157)	1.07	.85	800	.47
SRR1260	12.5(.492)	12.5(.492)	6.0(.236)	.87	.60	600	.47

### SRR0604 Series

MOUSER STOCK NO.		Fig.	Inductance 1kHz (μH)	Q Ref.	Test Freq. MHz	SRF MHz (Min.)
Mfr.	Mfr. Part No.					
652	SRR0604-2R5ML	A	2.5	21	7.96	100.0
652	SRR0604-220ML	A	22	16	2.52	25.0
652	SRR0604-221KL	A	220	20	0.796	10.0

### SRR0905 Series

652	SRR0905-100M	B	10	39	2.52	29
652	SRR0905-120M	B	12	40	2.52	26
652	SRR0905-150M	B	15	35	2.52	24
652	SRR0905-180M	B	18	39	2.52	21
652	SRR0905-220M	B	22	35	2.52	18
652	SRR0905-270M	B	27	35	2.52	17
652	SRR0905-330Y	B	33	27	2.52	14
652	SRR0905-390Y	B	39	31	2.52	14
652	SRR0905-470Y	B	47	27	2.52	11
652	SRR0905-680Y	B	68	26	2.52	10
652	SRR0905-101K	B	100	29	0.796	8
652	SRR0905-121K	B	120	31	0.796	7
652	SRR0905-151K	B	150	24	0.796	6
652	SRR0905-221K	B	220	27	0.796	5
652	SRR0905-271K	B	270	30	0.796	5
652	SRR0905-331K	B	330	29	0.796	4
652	SRR0905-391K	B	390	26	0.796	3
652	SRR0905-471K	B	470	26	0.796	3

### SRR1005 Series

652	SRR1005-3R3M	C	3.3	25	7.96	75.0
652	SRR1005-4R7M	C	4.7	25	7.96	50.0
652	SRR1005-6R8M	C	6.8	22	7.96	35.0
652	SRR1005-100M	C	10	48	2.52	30.0
652	SRR1005-120M	C	12	45	2.52	25.0
652	SRR1005-150M	C	15	40	2.52	20.0
652	SRR1005-180Y	C	18	35	2.52	19.0
652	SRR1005-220Y	C	22	42	2.52	18.0
652	SRR1005-270Y	C	27	40	2.52	17.0
652	SRR1005-470Y	C	47	35	2.52	12.0
652	SRR1005-680Y	C	68	35	2.52	9.0
652	SRR1005-820Y	C	82	35	2.52	8.0
652	SRR1005-101K	C	100	35	0.796	7.5
652	SRR1005-121K	C	120	30	0.796	7.2
652	SRR1005-151K	C	150	28	0.796	6.2
652	SRR1005-181K	C	180	28	0.796	5.8
652	SRR1005-221K	C	220	30	0.796	5.2
652	SRR1005-271K	C	270	30	0.796	4.8
652	SRR1005-331K	C	330	30	0.796	4.5
652	SRR1005-471K	C	470	40	0.796	3.0
652	SRR1005-681K	C	680	37	0.796	2.6
652	SRR1005-102K	C	1000	65	0.252	2.0
652	SRR1005-122K	C	1200	58	0.252	2.0
652	SRR1005-152K	C	1500	53	0.252	1.6
652	SRR1005-182K	C	1800	65	0.252	1.4
652	SRR1005-222K	C	2200	55	0.252	1.4
652	SRR1005-272K	C	2700	55	0.252	1.2
652	SRR1005-332K	C	3300	50	0.252	1.2

### SRR1205 Series

652	SRR1205-180ML	D	18	20	2.52	10
652	SRR1205-390ML	D	39	18	2.52	7.5

### SRR1206 Series

652	SRR1206-100ML	D	10	18	2.52	18.0
-----	---------------	---	----	----	------	------

### SRR1208 Series

652	SRR1208-6R5ML	D	6.5	25	7.96	20
652	SRR1208-150ML	D	15	21	2.52	11
652	SRR1208-180ML	D	18	21	2.52	9
652	SRR1208-270ML	D	27	23	2.52	6.5
652	SRR1208-390YL	D	39	25	2.52	6
652	SRR1208-560YL	D	56	23	2.52	5
652	SRR1208-680YL	D	68	20	2.52	5
652	SRR1208-101YL	D	100	15	0.796	4
652	SRR1260-121K	E	120	26	0.796	5.5
652	SRR1260-181K	E	180	26	0.796	4.5

### SRR1210 Series

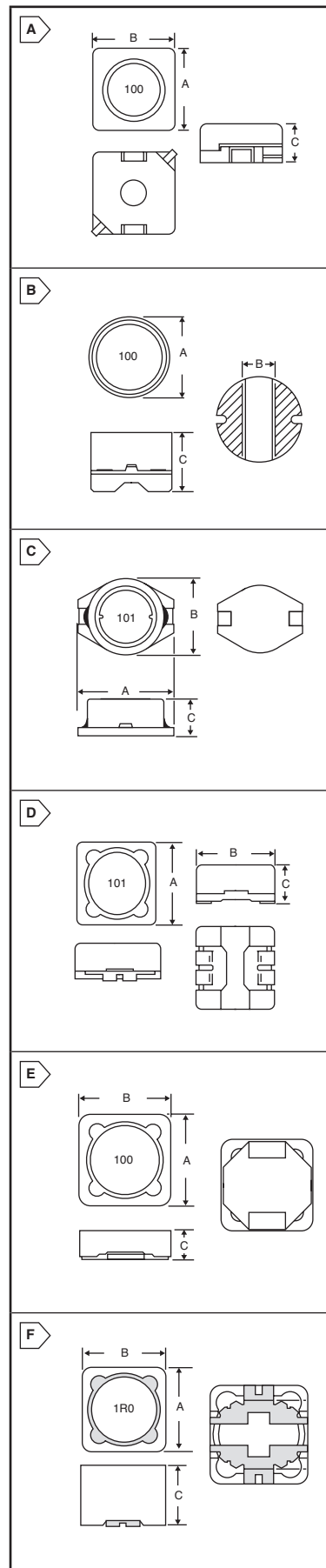
MOUSER STOCK NO.		Fig.	Inductance 1kHz (μH)	Q Ref.	Test Freq. MHz	SRF MHz (Min.)
Mfr.	Mfr. Part No.					
652	SRR1210-1R8Y	F	1.8	10	7.96	56
652	SRR1210-100M	F	10	16	2.52	12.0
652	SRR1210-120M	F	12	14	2.52	18.0
652	SRR1210-150M	F	15	16	2.52	10.5
652	SRR1210-180M	F	18	13	2.52	8.00
652	SRR1210-220M	F	22	16	2.52	8.00
652	SRR1210-270M	F	27	16	2.52	6.50
652	SRR1210-330M	F	33	16	2.52	6.50
652	SRR1210-390M	F	39	16	2.52	4.50
652	SRR1210-470M	F	47	16	2.52	4.50
652	SRR1210-560M	F	56	8	2.52	4.00
652	SRR1210-680M	F	68	12	2.52	3.80
652	SRR1210-820M	F	82	15	2.52	3.50
652	SRR1210-101M	F	100	16	0.796	3.00
652	SRR1210-121M	F	120	13	0.796	2.60
652	SRR1210-151M	F	150	12	0.796	2.20
652	SRR1210-181M	F	180	14	0.796	1.80
652	SRR1210-221M	F	220	15	0.796	1.80
652	SRR1210-271M	F	270	16	0.796	1.80
652	SRR1210-331M	F	330	14	0.796	1.80
652	SRR1210-391M	F	390	16	0.796	1.30
652	SRR1210-471M	F	470	12	0.796	0.85
652	SRR1210-561M	F	560	12	0.796	0.85
652	SRR1210-681M	F	680	11	0.796	0.85
652	SRR1210-821M	F	820	6	0.796	0.85
652	SRR1210-102M	F	1000	22	0.796	0.85

### SRR1240 Series

MOUSER STOCK NO.		Fig.	Inductance 1kHz (μH)	Q Ref.	Test Freq. MHz	SRF MHz (Min.)
Mfr.	Mfr. Part No.					
652	SRR1240-1R0Y	E	1.0	10	7.96	85
652	SRR1240-3R3Y	F	3.3	14	7.96	43
652	SRR1240-5R6M	E	5.6	14	7.96	35
652	SRR1240-6R8M	E	6.8	14	7.96	34
652	SRR1240-8R2M	E	8.2	10	7.96	32
652	SRR1240-100M	E	10	17	2.52	27
652	SRR1240-150M	E	15	16	2.52	22
652	SRR1240-220M	E	22	18	2.52	16
652	SRR1240-330M	E	33	19	2.52	15
652	SRR1240-470M	E	47	19	2.52	13
652	SRR1240-680M	E	68	19	2.52	11
652	SRR1240-101M	E	100	14	0.796	8
652	SRR1240-151K	E	150	12	0.796	7.5
652	SRR1240-221K	E	220	12	0.796	6.6
652	SRR1240-331K	E	330	12	0.796	5.5
652	SRR1240-471K	E	470	12	0.796	4.5
652	SRR1240-681K	E	680	14	0.796	3.8
652	SRR1240-821K	E	820	10	0.796	3.5
652	SRR1240-102K	E	1000	16	0.252	2.8

### SRR1260 Series

MOUSER STOCK NO.		Fig.	Inductance 1kHz (μH)	Q Ref.	Test Freq. MHz	SRF MHz (Min.)
Mfr.	Mfr. Part No.					
652	SRR1260-1R0Y	E	1.0	26	7.96	100.00
652	SRR1260-1R5Y	E	1.5	24	7.96	86.00
652	SRR1260-2R2Y	E	2.2	22	7.96	70.00
652	SRR1260-3R3Y	E	3.3	20	7.96	40.00
652	SRR1260-4R7Y	E	4.7	19	7.96	36.70
652	SRR1260-6R8Y	E	6.8	20	7.96	28.20
652	SRR1260-7R6Y	E	7.6	16	7.96	27.90
652	SRR1260-8R2Y	E	8.2	18	7.96	24.00
652	SRR1260-100M	E	10	32	2.52	21.00
652	SRR1260-120M	E	12	27	2.52	19.40
652	SRR1260-150M	E	15	25	2.52	17.60
652	SRR1260-180M	E	18	28	2.52	15.50
652	SRR1260-220M	E	22	29	2.52	13.40
652	SRR1260-270M	E	27	26	2.52	12.70
652	SRR1260-330M	E	33	27	2.52	9.97
652	SRR1260-390M	E	39	22	2.52	10.40
652	SRR1260-470M	E	47	22	2.52	7.63
652	SRR1260-560M	E	56	24	2.52	7.92
652	SRR1260-680M	E	68	22	2.52	7.43
652	SRR1260-820M	E	82	25	2.52	6.85
652	SRR1260-101M	E	100	26	0.796	6.07
652	SRR1260-151K	E	150	20	0.796	5.00
652	SRR1260-221K	E	220	22	0.796	4.20
652	SRR1260-271K	E	270	20	0.796	3.60
652	SRR1260-331K	E	330	22	0.796	3.20
652	SRR1260-391K	E	390	20	0.796	2.80
652	SRR1260-471K	E	470	18	0.796	2.60
652	SRR1260-681K	E	680	18	0.796	2.20
652	SRR1260-821K	E	820	20	0.796	2.00
652	SRR1260-102K	E	1000	30	0.796	1.80



Inductors

Bourns