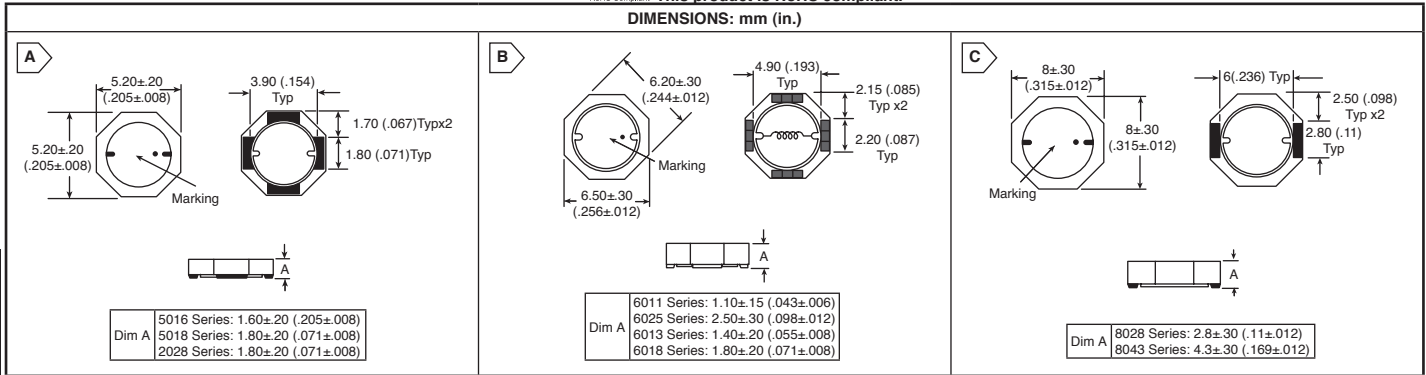


BOURNS Shielded SMD Power Inductors



RoHS Compliant This product is RoHS compliant.

DIMENSIONS: mm (in.)



SERIES: SRU5016, SRU5018, SRU5028, SRU6011, SRU6013, SRU6018, SRU6025, SRU8028, SRU8043

Applications:

- Input/output of DC/DC converters
- Power supplies for portable communication equipment, camcorders, LDS TVs, and car radios

Specifications:

- Test voltage: 1V
- Reflow soldering: 230°C, 50 sec. max.
- Operating temperature: -40°C to +125°C
- Storage temperature: -40°C to +125°C
- Resistance to soldering heat: 260°C for 10 sec.

SRU5016 Series

For quantities greater than listed, call for quote.

MOUSER STOCK NO.		Fig.	Inductance 100KHz uH	Test Freq. (MHz)	RDC (mΩ)	I rms Max. (A)	Price Each		Reel Qty.	Price Per Piece
Mfr.	Mrf. Part No.						1	100		
652	SRU5016-100Y	A	10.0	2.52	84	1.00	.44	.306	1000	.285
652	SRU5018-2R2Y	A	2.2	7.96	20.5	2.30	.44	.428	1000	.287

SRU6018 Series

For quantities greater than listed, call for quote.

MOUSER STOCK NO.		Fig.	Inductance 100KHz uH	Test Freq. (MHz)	RDC (mΩ)	I rms Max. (A)	Price Each		Reel Qty.	Price Per Piece
Mfr.	Mrf. Part No.						1	100		
652	SRU6018-4R7Y	B	4.7	7.96	42	2.20	.58	.427	800	.414
652	SRU6018-150Y	B	15.0	2.52	130	1.50	.96	.71	800	.62

SRU5018 Series

For quantities greater than listed, call for quote.

MOUSER STOCK NO.		Fig.	Inductance 100KHz uH	Test Freq. (MHz)	RDC (mΩ)	I rms Max. (A)	Price Each		Reel Qty.	Price Per Piece
Mfr.	Mrf. Part No.						1	100		
652	SRU5018-1R5Y	A	1.5	7.96	15.5	2.50	.83	.61	1000	.42
652	SRU5018-2R2Y	A	2.2	7.96	20.5	2.30	.44	.428	1000	.287
652	SRU5018-3R5Y	A	3.5	7.96	32.0	2.10	.83	.61	1000	.42
652	SRU5018-4R7Y	A	4.7	7.96	36.0	2.00	.83	.61	1000	.42
652	SRU5018-6R8Y	A	6.8	7.96	50.0	1.45	.83	.61	1000	.42
652	SRU5018-100Y	A	10.0	2.52	65.0	1.25	.83	.61	1000	.42
652	SRU5018-150Y	A	15.0	2.52	100.0	0.95	.83	.61	1000	.42
652	SRU5018-220Y	A	22.0	2.52	160.0	0.68	.83	.61	1000	.42
652	SRU5018-330Y	A	33.0	2.52	220.0	0.66	.83	.61	1000	.42
652	SRU5018-470Y	A	47.0	2.52	330.0	0.54	.83	.61	1000	.42
652	SRU5018-680Y	A	68.0	2.52	480.0	0.37	.83	.61	1000	.42
652	SRU5018-101Y	A	100.0	0.796	620.0	0.32	.83	.61	1000	.42

SRU6025 Series

For quantities greater than listed, call for quote.

MOUSER STOCK NO.		Fig.	Inductance 100KHz uH	Test Freq. (MHz)	RDC (mΩ)	I rms Max. (A)	Price Each		Reel Qty.	Price Per Piece
Mfr.	Mrf. Part No.						1	100		
652	SRU6025-1R2Y	B	1.2	7.96	19	4.00	1.13	.87	600	.66
652	SRU6025-2R2Y	B	2.2	7.96	24	3.40	1.13	.87	600	.66
652	SRU6025-3R3Y	B	3.3	7.96	27	3.20	1.13	.87	600	.66
652	SRU6025-4R7Y	B	4.7	7.96	35	2.70	1.13	.87	600	.66
652	SRU6025-6R8Y	B	6.8	7.96	42	2.40	1.13	.87	600	.66
652	SRU6025-8R2Y	B	8.2	7.96	52	2.20	1.13	.87	600	.66
652	SRU6025-100Y	B	10.0	2.52	76	2.00	1.13	.87	600	.66
652	SRU6025-150Y	B	15.0	2.52	86	1.80	1.13	.87	600	.66
652	SRU6025-220Y	B	22.0	2.52	130	1.60	1.13	.87	600	.66
652	SRU6025-330Y	B	33.0	2.52	180	1.20	1.13	.87	600	.66
652	SRU6025-470Y	B	47.0	2.52	250	1.00	1.13	.87	600	.66
652	SRU6025-680Y	B	68.0	2.52	365	0.80	1.13	.87	600	.66
652	SRU6025-101Y	B	100.0	2.52	500	0.70	1.13	.87	600	.66
652	SRU6025-151Y	B	150.0	2.52	770	0.54	1.13	.87	600	.66
652	SRU6025-221Y	B	220.0	2.52	1250	0.42	1.13	.87	600	.66

SRU5028 Series

For quantities greater than listed, call for quote.

MOUSER STOCK NO.		Fig.	Inductance 100KHz uH	Test Freq. (MHz)	RDC (mΩ)	I rms Max. (A)	Price Each		Reel Qty.	Price Per Piece
Mfr.	Mrf. Part No.						1	100		
652	SRU5028-1R2Y	A	1.2	7.96	16.8	3.50	.84	.40	600	.31
652	SRU5028-3R3Y	A	3.3	7.96	24.0	2.80	.84	.40	600	.31
652	SRU5028-4R7Y	A	4.7	7.96	32.0	2.20	.84	.40	600	.31
652	SRU5028-6R8Y	A	6.8	7.96	42.0	2.00	.84	.40	600	.31
652	SRU5028-100Y	A	10.0	2.52	63.0	1.80	.84	.40	600	.31
652	SRU5028-150Y	A	15.0	2.52	108.0	1.10	.84	.40	600	.31
652	SRU5028-330Y	A	33.0	2.52	203.0	0.80	.84	.40	600	.31
652	SRU5028-470Y	A	47.0	2.52	285.0	0.70	.84	.40	600	.31
652	SRU5028-680Y	A	68.0	2.52	450.0	0.56	.84	.40	600	.31
652	SRU5028-101Y	A	100.0	0.796	625.0	0.47	.84	.40	600	.31

SRU8028 Series

For quantities greater than listed, call for quote.

MOUSER STOCK NO.		Fig.	Inductance 100KHz uH	Test Freq. (MHz)	RDC (mΩ)	I rms Max. (A)	Price Each		Reel Qty.	Price Per Piece
Mfr.	Mrf. Part No.						1	100		
652	SRU8028-2R5Y	C	2.5	7.96	13.6	4.50	1.01	.45	1500	.36
652	SRU8028-3R3Y	C	3.3	7.96	17.5	3.60	1.01	.45	1500	.36
652	SRU8028-4R7Y	C	4.7	7.96	20.0	3.70	1.01	.45	1500	.36
652	SRU8028-6R8Y	C	6.8	7.96	34.0	2.80	1.01	.45	1500	.36
652	SRU8028-100Y	C	10.0	2.52	45.0	2.60	1.01	.45	1500	.36
652	SRU8028-150Y	C	15.0	2.52	66.0	2.00	1.01	.45	1500	.36
652	SRU8028-220Y	C	22.0	2.52	106	1.60	1.01	.45	1500	.36
652	SRU8028-330Y	C	33.0	2.52	147	1.30	1.01	.45	1500	.36
652	SRU8028-470Y	C	47.0	2.52	177	1.20	1.01	.45	1500	.36
652	SRU8028-680Y	C	68.0	2.52	317	0.85	1.01	.45	1500	.36
652	SRU8028-101Y	C	100.0	0.796	390	0.75	1.01	.45	1500	.36

SRU6011 Series

MOUSER STOCK NO.		Fig.	Inductance 100KHz uH	Test Freq. (MHz)	RDC (mΩ)	I rms Max. (A)	Price Each		Reel Qty.	Price Per Piece
Mfr.	Mrf. Part No.						1	100		
652	SRU6011-1R4Y	B	1.4	7.96	40	2.60	.88	.72	1000	.55
652	SRU6011-4R7Y	B	4.7	7.96	86	1.80	.88	.72	1000	.55
652	SRU6011-100Y	B	10.0	2.52	220	1.10	.88	.72	1000	.55
652	SRU6011-220Y	B	22.0	2.52	390	0.80	.88	.72	1000	.55
652	SRU6011-470Y	B	47.0	2.52	850	0.55	.88	.72	1000	.55
652	SRU6011-680Y	B	68.0	2.52	1200	0.46	.88	.72	1000	.55

SRU8043 Series

For quantities greater than listed, call for quote.

MOUSER STOCK NO.		Fig.	Inductance 100KHz uH	Test Freq. (MHz)	RDC (mΩ)	I rms Max. (A)	Price Each		Reel Qty.	Price Per Piece
Mfr.	Mrf. Part No.						1	100		
652	SRU8043-2R2Y	C	2.2	7.96	11.2	5.40	1.01	.46	1000	.37
652	SRU8043-3R9Y	C	3.9	7.96	14.6	4.80	.79	.46	1000	.37
652	SRU8043-4R7Y	C	4.7	7.96	17.0	4.60	1.01	.46	1000	.37
652	SRU8043-6R8Y	C	6.8	7.96	22.4	3.80	.66	.46	1000	.36
652	SRU8043-100Y	C	10.0	2.52	30.0	3.50	1.01	.46	1000	.37
652	SRU8043-150Y	C	15.0	2.52	46.0	2.70	.66	.46	1000	.36
652	SRU8043-220Y	C	22.0	2.52	72.5	2.20	1.01	.46	1000	.37
652	SRU8043-330Y	C	33.0	2.52	100.0	1.70	1.10	.46	1000	.37
652	SRU8043-470Y	C	47.0	2.52	120.0	1.50	1.01	.46	1000	.37
652	SRU8043-680Y	C	68.0	2.52	192.0	1.20	1.01	.46	1000	.37
652	SRU8043-101Y	C	100.0	0.796	287.0	1.00	1.01	.46	1000	.37

SRU6013 Series

MOUSER STOCK NO.		Fig.	Inductance 100KHz uH	Test Freq. (MHz)	RDC (mΩ)	I rms Max. (A)	Price Each		Reel Qty.	Price Per Piece
Mfr.	Mrf. Part No.						1	100		
652	SRU6013-330Y	B	33	2.52	500	0.78	.60	.385	1000	.297