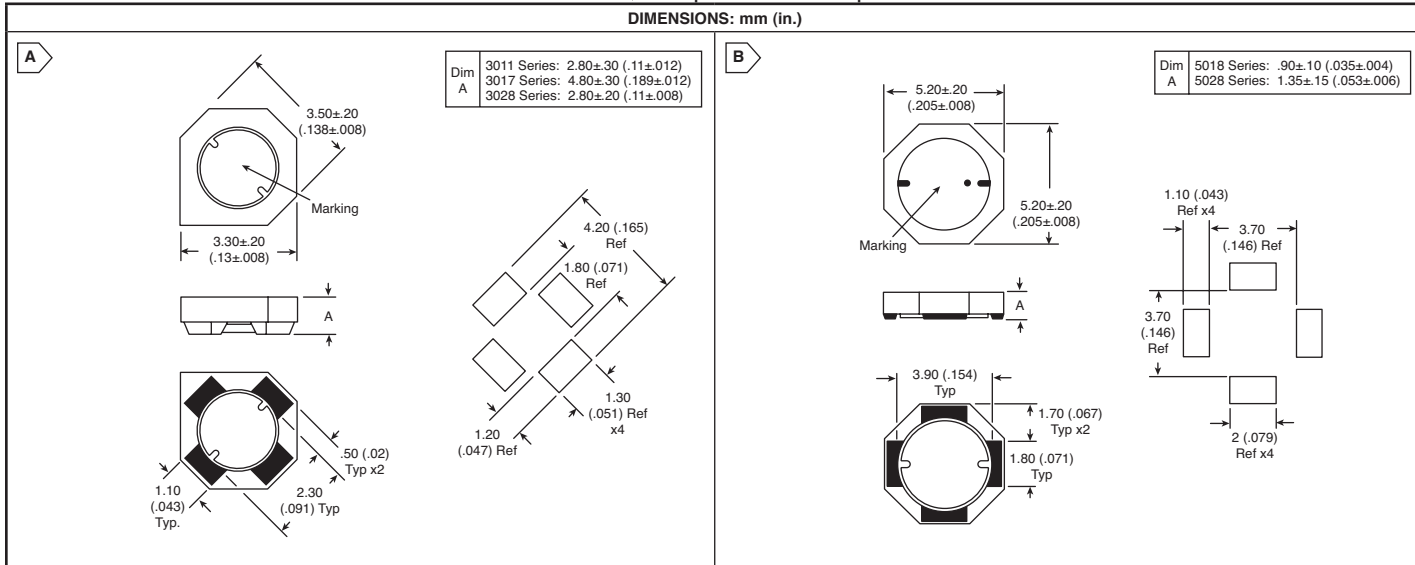


BOURNS Shielded SMD Power Inductors

BOURNS

RoHS Compliant This product is RoHS compliant.

DIMENSIONS: mm (in.)



SERIES: SRU3011, SRU3017, SRU3028, SRU5018, SRU5028

Applications:

- Input/output of DC/DC converters
- Power supplies for portable communication equipment, camcorders, LDS TVs, and car radios

Specifications:

- Test voltage: 1V
- Reflow soldering: 230°C, 50 sec. max.
- Operating temperature: -40°C to +125°C
- Storage temperature: -40°C to +125°C
- Resistance to soldering heat: 260°C for 10 sec.

For quantities greater than listed, call for quote.

MOUSER STOCK NO.	Bourns Part No.	Fig.	Inductance 100KHz uH	Q Ref.	Test Frequency (MHz)	SRF Min. (MHz)	RDC (mΩ)	I rms Max. (A)	I sat Typ. (A)	Price Each		Reel Quantity	Reel Price Each
										1	100		
SRU3011 Series													
652-SRU3011-4R7Y	SRU3011-4R7Y	A	4.7	8	7.96	90	178	0.63	0.62	.67	.62	1500	.43
652-SRU3011-6R8Y	SRU3011-6R8Y	A	6.8	7	7.96	85	245	0.50	0.46	.67	.62	1500	.43
652-SRU3011-100Y	SRU3011-100Y	A	10.0	8	2.52	60	340	0.40	0.35	.67	.62	1500	.43
SRU3017 Series													
652-SRU3017-3R3Y	SRU3017-3R3Y	A	3.3	8	7.96	80	55	0.80	1.45	.97	.75	800	.56
652-SRU3017-4R7Y	SRU3017-4R7Y	A	4.7	10	7.96	60	68	0.63	1.10	.97	.75	800	.56
652-SRU3017-6R8Y	SRU3017-6R8Y	A	6.8	10	7.96	50	85	0.53	1.00	.97	.75	800	.56
652-SRU3017-100Y	SRU3017-100Y	A	10.0	15	7.96	40	120	0.47	0.85	.97	.75	800	.56
652-SRU3017-150Y	SRU3017-150Y	A	15.0	20	2.52	35	175	0.35	0.68	.97	.74	800	.56
652-SRU3017-220Y	SRU3017-220Y	A	22.0	20	2.52	30	250	0.30	0.60	.97	.74	800	.56
652-SRU3017-330Y	SRU3017-330Y	A	33.0	20	2.52	20	430	0.25	0.47	.97	.74	800	.56
652-SRU3017-470Y	SRU3017-470Y	A	47.0	18	2.52	18	540	0.21	0.36	.97	.75	800	.56
SRU3028 Series													
652-SRU3028-100Y	SRU3028-100Y	A	10.0	20	7.96	35	160	0.72	0.86	.84	.68	600	.63
652-SRU3028-150Y	SRU3028-150Y	A	15.0	18	2.52	25	230	0.66	0.72	.84	.68	600	.63
652-SRU3028-220Y	SRU3028-220Y	A	22.0	18	2.52	15	270	0.60	0.62	.84	.68	600	.63
652-SRU3028-330Y	SRU3028-330Y	A	33.0	20	2.52	10	450	0.47	0.48	.84	.68	600	.63
652-SRU3028-470Y	SRU3028-470Y	A	47.0	20	2.52	8	815	0.32	0.38	.84	.68	600	.63
652-SRU3028-680Y	SRU3028-680Y	A	68.0	20	2.52	7	1400	0.24	0.28	.84	.68	600	.63
652-SRU3028-101Y	SRU3028-101Y	A	100.0	20	0.796	5	2200	0.19	0.21	.84	.68	600	.63
SRU5018 Series													
652-SRU5018-1R5Y	SRU5018-1R5Y	B	1.5	9	7.96	160	15.5	2.50	2.40	.83	.61	1000	.42
652-SRU5018-3R5Y	SRU5018-3R5Y	B	3.5	9	7.96	90	32.0	2.10	1.70	.83	.61	1000	.42
652-SRU5018-4R7Y	SRU5018-4R7Y	B	4.7	8.5	7.96	80	36.0	2.00	1.55	.83	.61	1000	.42
652-SRU5018-6R8Y	SRU5018-6R8Y	B	6.8	7.5	7.96	60	50.0	1.45	1.20	.83	.61	1000	.42
652-SRU5018-100Y	SRU5018-100Y	B	10.0	12	2.52	50	65.0	1.25	1.05	.83	.61	1000	.42
652-SRU5018-150Y	SRU5018-150Y	B	15.0	12	2.52	40	100.0	0.95	0.80	.83	.61	1000	.42
652-SRU5018-220Y	SRU5018-220Y	B	22.0	12	2.52	28	160.0	0.68	0.65	.83	.61	1000	.42
652-SRU5018-330Y	SRU5018-330Y	B	33.0	13	2.52	23	220.0	0.66	0.56	.83	.61	1000	.42
652-SRU5018-470Y	SRU5018-470Y	B	47.0	13	2.52	18	330.0	0.54	0.45	.83	.61	1000	.42
652-SRU5018-680Y	SRU5018-680Y	B	68.0	12	2.52	16	480.0	0.37	0.36	.83	.61	1000	.42
652-SRU5018-101Y	SRU5018-101Y	B	100.0	15	0.796	15	620.0	0.32	0.31	.83	.61	1000	.42
SRU5028 Series													
652-SRU5028-1R2Y	SRU5028-1R2Y	B	1.2	10	7.96	200.0	16.8	3.50	3.40	.84	.40	600	.31
652-SRU5028-3R3Y	SRU5028-3R3Y	B	3.3	10	7.96	90.0	24.0	2.80	2.10	.84	.40	600	.31
652-SRU5028-4R7Y	SRU5028-4R7Y	B	4.7	9	7.96	50.0	32.0	2.20	1.85	.84	.40	600	.31
652-SRU5028-6R8Y	SRU5028-6R8Y	B	6.8	10	7.96	55.0	42.0	2.00	1.55	.84	.40	600	.31
652-SRU5028-100Y	SRU5028-100Y	B	10.0	18	2.52	25.0	63.0	1.80	1.40	.84	.40	600	.31
652-SRU5028-150Y	SRU5028-150Y	B	15.0	18	2.52	23.0	108.0	1.10	1.00	.84	.40	600	.31
652-SRU5028-330Y	SRU5028-330Y	B	33.0	15	2.52	16.0	203.0	0.80	0.68	.84	.40	600	.31
652-SRU5028-470Y	SRU5028-470Y	B	47.0	13	2.52	13.0	285.0	0.70	0.62	.84	.40	600	.31
652-SRU5028-680Y	SRU5028-680Y	B	68.0	13	2.52	10.0	450.0	0.56	0.46	.84	.40	600	.31
652-SRU5028-101Y	SRU5028-101Y	B	100.0	15	0.796	8.0	625.0	0.47	0.42	.84	.40	600	.31