

CREE LEDs

RoHS Compliant This product is RoHS compliant.



LED Indication

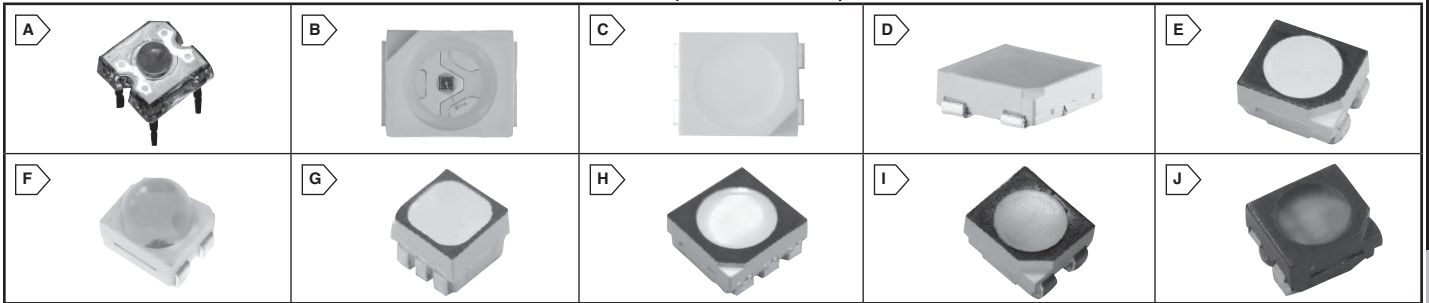
Cree

NEW SUPPLIER

NEW SUPPLIER

NEW SUPPLIER

NEW SUPPLIER



HIGH BRIGHTNESS P4 LEDs

For quantities greater than listed, call for quote.

MOUSER STOCK NO.	Cree Part No.	Fig.	Color	Dominant Wavelength (nm)			Luminous flux (lm)			Forward Voltage (V) (typ)	Forward Current (mA)	Angle	Price Each		
				Min	Typ	Max	Min	Typ	Max				1	50	100
941-CP41BRDSCLOP0EE4	CP41B-RDS-CL0P0EE4	A	Red	620	628	637	4.4	7	11	2.5	70	40	.24	.22	.199
941-CP41BADSCLOP0264	CP41B-ADS-CL0P0264	A	Amber	584	591	599	4.4	6.5	11	2.5	70	40	.24	.22	.199
941-CP41BAFSCMOQ0264	CP41B-AFS-CM0Q0264	A	Amber	584	591	599	5.5	7	13.2	2.5	70	70	.24	.22	.199
941-CP41BAHSCMOQ0264	CP41B-AHS-CM0Q0264	A	Amber	584	591	599	5.5	8	13.2	2.5	70	100	.24	.22	.199
941-CP41BGFSCMOQ0694	CP41B-GFS-CM0Q0694	A	Green	515	527	535	5.5	6.5	13.2	3.6	35	70	.31	.30	.286
941-CP41BBFSCFH0354	CP41B-BFS-CFH0354	A	Blue	462	470	475	1.65	2.5	3.3	3.6	35	70	.41	.38	.336

HIGH BRIGHTNESS WHITE P4 LEDs

For quantities greater than listed, call for quote.

MOUSER STOCK NO.	Cree Part No.	Fig.	Color	CCT (K)		Luminous flux (lm)			Forward Voltage (V) (typ)	Forward Current (mA)	Angle	Price Each		
				Min	Typ	Min	Typ	Max				1	50	100
941-CP41BWESCK0P0154	CP41B-WES-CK0P0154	A	White	4600	9000	3.85	7	11	3.6	35	60	.31	.30	.286
941-CP41BWGSCCK0P0154	CP41B-WGS-CK0P0154	A	White	4600	9000	3.85	7	11	3.6	35	90	.31	.30	.286

HIGH BRIGHTNESS SURFACE MOUNT WHITE LEDs

For quantities greater than listed, call for quote.

MOUSER STOCK NO.	Cree Part No.	Fig.	Package	Color	CCT (K)		Face Color	Luminous Intensity			Forward Voltage (V) (typ)	Forward Current (mA)	Angle	Price Each		
					Min	Typ		Min	Typ	Max				1	50	100
941-CLM3CMKWCWAXB133	CLM3C-MKW-CWaXb133	B	PLCC2	Warm White	2500	3200	White	1120mcd	1560mcd	2800mcd	3.2	25	120	.19	.18	.173
941-CLA1AMKWCWBYA133	CLA1A-MKW-CWbYa133	C	PLCC4	Warm White	2500	3200	White	1400mcd	2500mcd	3550mcd	3.6	35	120	.45	.316	.238
941-CLP6BWKWCBOE0133	CLP6B-MKW-CBOE0133	B	PLCC6 (3 die)	Warm White	2500	3200	White	7100mcd	12000mcd	18000mcd	3.8	3 x 50	120	.71	.65	.574
941-CLA1BMKWXD0F0E53	CLA1B-MKW-XD0F0E53	D	PLCC-4	Warm White	2500	4700	White	6.3lm	8.6lm	13.9lm	3.2	30	120	.55	.387	.291
941-CLA1BMKWXD0F0E63	CLA1B-MKW-XD0F0E63	D	PLCC-4	Warm White	2500	4700	White	6.3lm	8.6lm	13.9lm	3.2	30	120	.55	.387	.291
941-CLA1BMKWXD0F0E73	CLA1B-MKW-XD0F0E73	D	PLCC-4	Warm White	2500	4700	White	6.3lm	8.6lm	13.9lm	3.2	30	120	.55	.387	.291
941-CLA1BMKWXD0F0E83	CLA1B-MKW-XD0F0E83	D	PLCC-4	Warm White	2500	4700	White	6.3lm	8.6lm	13.9lm	3.2	30	120	.50	.351	.264
941-CLM3AWKWCWAXA153	CLM3A-WKW-CWaXa153	B	PLCC2	White	4600	5500	White	1120mcd	1600mcd	2240mcd	3.2	25	120	.23	.21	.189
941-CLA1AWKWCWBYA153	CLA1A-WKB-CWbYa153	E	PLCC4	White	4600	6800	Black	1400mcd	2600mcd	3550mcd	3.6	35	120	.45	.316	.238
941-CLM3CWKWCWBYA153	CLM3C-WKW-CWbYa153	B	PLCC2	White	4600	6800	White	1400mcd	1850mcd	3550mcd	3.2	25	120	.19	.18	.173
941-CLA1AWKWCXAYB153	CLA1A-WKW-CXaYb153	C	PLCC4	White	4600	6800	White	1800mcd	2800mcd	4500mcd	3.6	35	120	.45	.316	.238
941-CLA2AWKWCXBZ0153	CLA2A-WKW-CXbZ0153	C	PLCC4 (2 die)	White	4600	9000	White	2240mcd	3800mcd	5600mcd	3.2	2 x 25	120	.38	.34	.304
941-CLP6BWKWCBOE0153	CLP6B-WKW-CBOE0153	B	PLCC6 (3 die)	White	4600	6800	White	7100mcd	14000mcd	18000mcd	3.8	3 x 50	120	.71	.65	.574
941-CLA1AWKWCXAYB453	CLA1A-WKW-CXaYb453	C	PLCC-4	White	4600	6800	White	zz1800mcd	2800mcd	4500mcd	3.6	30	120	.47	.334	.251
941-CLA1BWKWXD0F0E13	CLA1B-WKW-XD0F0E13	D	PLCC-4	Cool White	4700	8300	White	6.3lm	9.6lm	13.9lm	3.2	30	120	.55	.387	.291
941-CLA1BWKWXD0F0E23	CLA1B-WKW-XD0F0E23	D	PLCC-4	Cool White	4700	8300	White	6.3lm	9.6lm	13.9lm	3.2	30	120	.55	.387	.291
941-CLA1BWKWXD0F0E33	CLA1B-WKW-XD0F0E33	D	PLCC-4	Cool White	4700	8300	White	6.3lm	9.6lm	13.9lm	3.2	30	120	.55	.387	.291

HIGH BRIGHTNESS SURFACE MOUNT COLOR LEDs

For quantities greater than listed, call for quote.

MOUSER STOCK NO.	Cree Part No.	Fig.	Package	Color	Dominant Wavelength (nm)			Face Color	Luminous Intensity (mcd)			Forward Voltage (V) (typ)	Forward Current (mA)	Angle	Price Each		
					Min	Typ	Max		Min	Typ	Max				1	50	100
941-CLM4BRKWCWAXBAA3	CLM4B-RKW-CWaXbAA3	C	PLCC4	Red	618	624	630	White	1120	1600	2800	2.4	70	120	.15	.14	.138
941-CLM4BAKBCWAXB263	CLM4B-AKB-CWaXb263	E	PLCC4	Amber	584	591	599	Black	1120	1500	2800	2.4	70	120	.16	.15	.139
941-CLM4BAKWCWAXB263	CLM4B-AKW-CWaXb263	C	PLCC4	Amber	584	591	599	White	1120	1500	2800	2.4	70	120	.16	.15	.139
941-CLM2BAEWYCB0263	CLM2B-AEW-CYbB0263	F	PLCC4	Amber	584	591	599	White	2800	5000	9000	2.5	70	60	.22	.21	.196
941-CLM4BGKWCWBYA693	CLM4B-GKW-CWbYa693	C	PLCC4	Green	515	527	535	White	1400	1800	3550	3.6	30	120	.27	.25	.22
941-CLM4BBKWCCTbVA363	CLM4B-BKW-CTbVA363	C	PLCC4	Blue	460	470	480	White	355	550	900	3.6	30	120	.24	.22	.199

TRI-COLOR RGB SMD LED

These high performance tricolor SMT LEDs are designed to work in a wide range of applications. A wide viewing angle and high brightness make these LEDs suitable for outdoor and full color video signage applications.



For quantities greater than listed, call for quote.

MOUSER STOCK NO.	Cree Part No.	Fig.	Package	Color	Dominant Wavelength (nm)			Face Color	Luminous Intensity (mcd)			Forward Voltage (V) (typ)	Forward Current (mA)	Angle	Price Each		
					Min	Typ	Max		Min	Typ	Max				1	50	100
941-CLX6AFKBC1P1G1B	CLX6A-FKB-CK1P1G1BB7S4T3	G	PLCC-6	Red	619	-	624	Black	450	-	1120	2	50	120	.77	.72	.63
941-X6AFKBCJNRRFJ7A3	CLX6A-FKB-CJNRRFJBB7a363	G	PLCC6 (3 die)	Green	520	-	540		900	-	2240	3.2	35				
				Blue	460	-	480		224	-	560	3.2	35				
				Red	619	470	624	Black	450	400	1120	3.2	50	120	.60	.55	.483
941-V6AFKBCKNPRGJ7A3	CLV6A-FKB-CKNPRGJBB7a363	H	PLCC6 (3 die)	Green	520	527	540		900	1400	2240	3.2	35				
				Blue	460	624	480		224	700	560	2	35				
				Red	619	620	624	Black	560	700	1120	2	50	120	.72	.66	.579
941-V1AFKBCMKPEH7A3	CLV1A-FKB-CHMKPEHBB7a363	I	PLCC4 (3 die)	Green	520	527	540		1120	1600	2240	3.2	35				
				Blue	460	470	480		280	400	560	3.2	35				
				Red	619	620	624	Black	450	700	1120	2	50	120	.37	.36	.338
941-VBAFKACAEDH8B7A3	CLVBA-FKA-CAEDH8BBB7a363	J	PLCC4 (3 die)	Green	520	527	540		900	1400	2240	3.2	25				
				Blue	460	470	480		224	400	560	3.2	25				
				Red	619	620	624	Black	224	280	560	2	50	120	.55	.50	.441