

SYFER SMD EMI and X2Y Filters



This product is RoHS compliant.



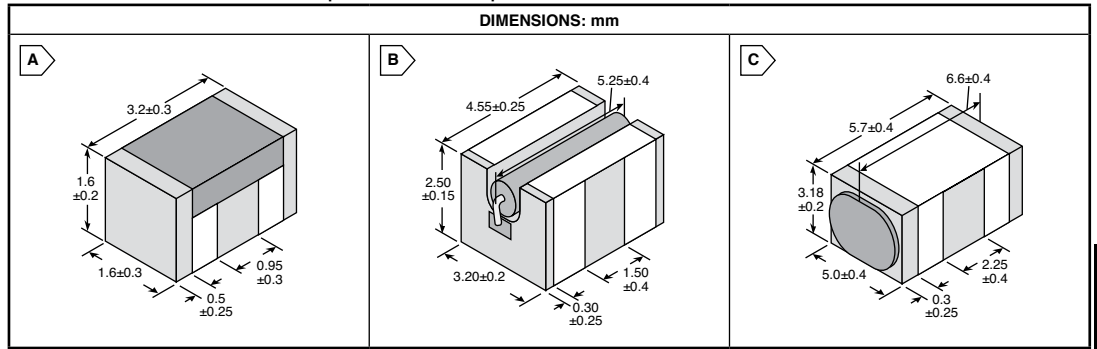
SMD EMI PI FILTERS

Features:

- Miniature SMD package
- X7R and COG dielectrics
- EMI filtering performance up to 1GHz and higher
- Ideal for telecom, power supplies, and industrial equipment
- Also suitable for mil/aerospace applications

Specifications:

- Tolerance: 20%
- Temperature rating: -55°C to +125°C
- Rated current: 1 Amp DC
- Ferrite inductance: 0.25uH(SBSP), 0.5uH (BSBG, SBSM)
- Max solder temperature: 220°C



SBSP Series (1 Amp)

For quantities greater than listed, call for quote.

MOUSER STOCK NO.	Syfer Part No.	Fig.	Cap Value	Volt (DC)	Dielectric	Price Each				Reel Quantity	Price Per Piece
						1	50	100	500		
843-SBSP1000101MC	SBSP1000101MCT	A	100pF	100	COG	2.03	1.52	1.02	.76	1500	.63
843-SBSP1000221MC	SBSP1000221MCT	A	220pF	100	COG	2.03	1.52	1.02	.76	1500	.63
843-SBSP1000471MC	SBSP1000471MCT	A	470pF	100	COG	2.03	1.52	1.02	.76	1500	.63
843-SBSP1000102MX	SBSP1000102MXT	A	1000pF	100	X7R	2.03	1.52	1.02	.76	1500	.63
843-SBSP1000472MX	SBSP1000472MXT	A	.0047uF	100	X7R	2.03	1.52	1.02	.74	1500	.61
843-SBSP1000103MX	SBSP1000103MXT	A	.01uF	100	X7R	2.03	1.52	1.02	.74	1500	.61
843-SBSP0500473MX	SBSP0500473MXT	A	.047uF	50	X7R	2.03	1.52	1.02	.76	1500	.63
843-SBSP0500683MX	SBSP0500683MXT	A	.068uF	50	X7R	2.03	1.52	1.02	.76	1500	.63
843-SBSP0250104MX	SBSP0250104MXT	A	.1uF	25	X7R	2.03	1.52	1.02	.76	1500	.63
843-SBSP0250154MX	SBSP0250154MXT	A	.15uF	25	X7R	2.03	1.52	1.02	.76	1500	.63

BSBG Series (5 Amp)

For quantities greater than listed, call for quote.

MOUSER STOCK NO.	Syfer Part No.	Fig.	Cap Value	Volt (DC)	Dielectric	Price Each				Reel Quantity	Price Per Piece
						1	50	100	500		
843-SBSGP5000472MX	SBSGP5000472MXT	B	.0047uF	500	X7R	14.94	11.21	7.47	5.65	500	5.65
843-SBSGP5000103MX	SBSGP5000103MXT	B	.01uF	500	X7R	12.63	9.47	6.32	4.74	500	4.74
843-SBSGP2000683MX	SBSGP2000683MXT	B	.068uF	200	X7R	12.24	10.64	7.45	4.79	500	4.79
843-SBSGP1000154MX	SBSGP1000154MXT	B	.15uF	100	X7R	12.47	10.87	7.61	4.89	500	4.89
843-SBSGP0500224MX	SBSGP0500224MXT	B	.22uF	50	X7R	12.47	10.87	7.61	4.89	500	4.89

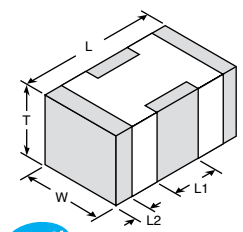
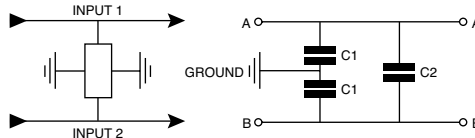
SBSM Series (10 Amp)

For quantities greater than listed, call for quote.

MOUSER STOCK NO.	Syfer Part No.	Fig.	Cap Value	Volt (DC)	Dielectric	Price Each				Reel Quantity	Price Per Piece
						1	50	100	500		
843-SBSMP5000102MX	SBSMP5000102MXT	C	1000pF	500	X7R	18.31	13.73	9.15	6.86	500	6.86
843-SBSMP5000153MX	SBSMP5000153MXT	C	.015uF	500	X7R	18.44	13.83	9.22	6.91	500	6.91
843-SBSMP5000683MX	SBSMP5000683MXT	C	.068uF	500	X7R	18.77	14.08	9.39	7.04	500	7.04
843-SBSMP1000334MX	SBSMP1000334MXT	C	.33uF	100	X7R	20.13	15.10	10.07	7.55	500	7.55
843-SBSMP0500474MX	SBSMP0500474MXT	C	.47uF	50	X7R	20.47	15.35	10.23	7.67	500	7.67

X2Y FILTERS

The Syfer X2Y Integrated Passive Component is a 3 terminal EMI chip device. The revolutionary design provides simultaneous line-to-line and line-to-ground filtering, using a single ceramic chip. In this way, differential and common mode filtering are provided in one device. Available in sizes from 0603 to 2220, these filters can prove invaluable in meeting stringent EMC demands.



Features:

- Replaces 2 or 3 capacitors with one device
- Matched capacitance line to ground on both lines
- Ultra low inductance due to cancellation effect
- Differential and common mode attenuation
- Effects of temperature and voltage variation eliminated
- Effect of aging equal on both lines
- High current capability

Specifications:

- Dielectric: X7R or COG
- Temperature rating: -55°C to 125°C
- Dielectric withstand voltage: 2.5 x Rated Volts for 5 secs.; Charging current limited to 50mA Max.
- Insulation resistance: 100Gohms or 1000s (whichever is the less)

Applications:

- Balanced lines and twisted pairs
- EMI Suppression on DC motors
- Sensor/transducer applications
- Wireless communications
- Audio amplifiers
- CANBUS systems



For quantities greater than listed, call for quote.

MOUSER STOCK NO.	Syfer Part No.	Cap Value	Volt (DC)	Dielectric	Termination	Dimensions: mm					Price Each				Reel Qty.	Price Per Piece
						L	W	T	L1	L2	1	50	100	500		
843-0603J0500330MC3	0603J0500330MCTE03	33pF	50	COG	Matte Tin	1.6±0.2	0.8±0.2	0.5±0.15	0.4±0.15	0.25±0.15	1.00	.85	.71	.63	4000	.431
843-0603J0250101MC3	0603J0250101MCTE03	100pF	25	COG	Matte Tin	1.6±0.2	0.8±0.2	0.5±0.15	0.4±0.15	0.25±0.15	1.00	.85	.71	.63	4000	.431
843-0805J1000101MC3	0805J1000101MCTE03	100pF	100	COG	Matte Tin	2.0±0.3	1.25±0.2	1.0±0.15	0.50±0.25	0.3±0.15	1.35	1.14	.96	.82	3000	.59
843-1206J1000103MX3	1206J1000103MXTE03	.01uF	100	X7R	Matte Tin	3.2±0.3	1.6±0.2	1.1±0.2	0.95±0.3	0.5±0.25	2.01	1.61	1.33	.98	2500	.667
843-1206Y2000103MX3	1206Y2000103MXTE03	.01uF	200	X7R	FlexiCap	3.2±0.3	1.6±0.2	1.1±0.2	0.95±0.3	0.5±0.25	2.01	1.47	1.00	.76	2500	.549
843-1206J1000473MX3	1206J1000473MXTE03	.047uF	100	X7R	Matte Tin	3.2±0.3	1.6±0.2	1.1±0.2	0.95±0.3	0.5±0.25	2.01	1.61	1.33	.98	2500	.667
843-1410Y2000473MX3	1410Y2000473MXTE03	.047uF	200	X7R	FlexiCap	3.6±0.3	2.5±0.2	2 Max.	1.2±0.3	0.5±0.25	5.05	3.70	2.52	1.92	2000	1.38
843-1410Y0500334MX3	1410Y0500334MXTE03	.33uF	50	X7R	FlexiCap	3.6±0.3	2.5±0.2	2 Max.	1.2±0.3	0.5±0.25	3.96	3.53	2.85	1.85	2000	1.01
843-1410Y0500404MX3	1410Y0500404MXTE03	.4uF	50	X7R	FlexiCap	3.6±0.3	2.5±0.2	2 Max.	1.2±0.3	0.5±0.25	3.96	3.53	2.85	1.85	2000	1.01
843-1812Y5000272MX3	1812Y5000272MXTE03	.0027uF	500	X7R	FlexiCap	4.5±0.35	3.2±0.2	2 Max.	1.4±0.35	0.75±0.25	6.23	4.57	3.11	2.37	1000	1.87
843-1812Y5000393MX3	1812Y5000393MXTE03	.039uF	500	X7R	FlexiCap	4.5±0.35	3.2±0.2	2 Max.	1.4±0.35	0.75±0.25	6.53	4.79	3.26	2.48	1000	1.96
843-1812Y5000104MX3	1812Y5000104MXTE03	.1uF	500	X7R	FlexiCap	4.5±0.35	3.2±0.2	2 Max.	1.4±0.35	0.75±0.25	7.93	5.82	3.97	3.01	1000	2.38
843-1812Y1000334MX3	1812Y1000334MXTE03	.33uF	100	X7R	FlexiCap	4.5±0.35	3.2±0.2	2 Max.	1.4±0.35	0.75±0.25	6.49	5.65	3.82	2.21	1000	1.85
843-1812Y0500444MX3	1812Y0500444MXTE03	.44uF	50	X7R	FlexiCap	4.5±0.35	3.2±0.2	2 Max.	1.4±0.35	0.75±0.25	6.49	5.65	3.82	2.21	1000	1.85
843-1812Y0500474MX3	1812Y0500474MXTE03	.47uF	50	X7R	FlexiCap	4.5±0.35	3.2±0.2	2 Max.	1.4±0.35	0.75±0.25	6.49	5.65	3.82	2.21	1000	1.85