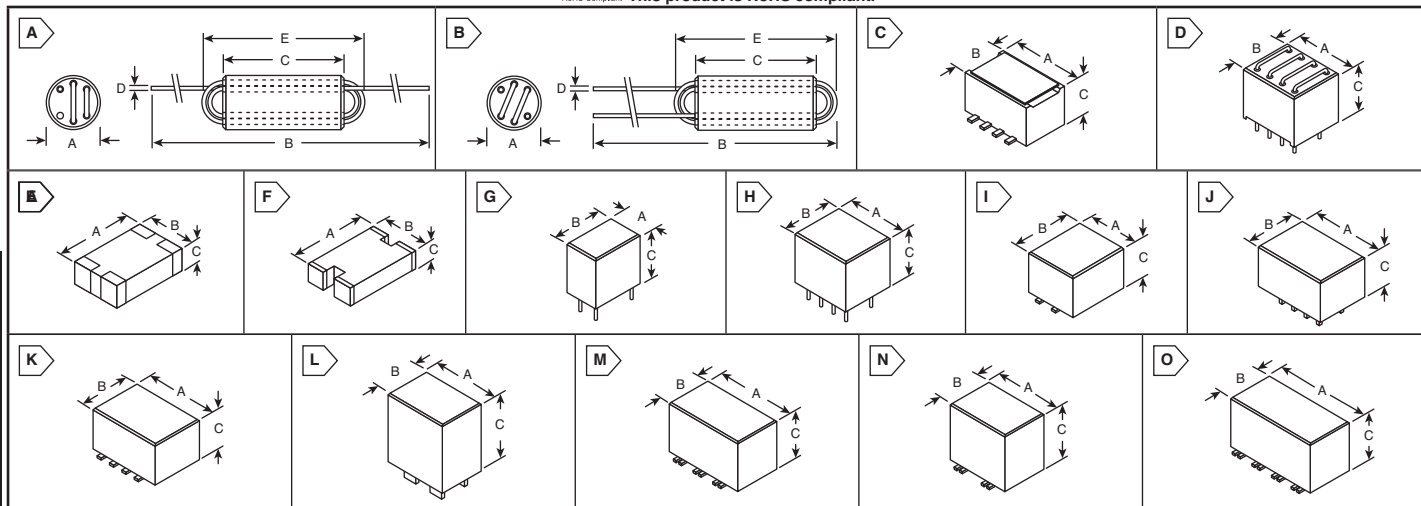


LAIRD TECHNOLOGIES EMI Filters and Choke Arrays



RoHS Compliant This product is RoHS compliant.



EMI Suppression

Laird Technologies

MULTIPLE TURN AXIAL LEAD FERRITE BEAD/CORES - DIFFERENTIAL MODE

- Wirewound through Ferrite
- Wound with 24 AWG copper wire
- Lead free and RoHS compliant



For quantities greater than listed, call for quote.

MOUSER STOCK NO.	Steward Part No.	Fig.	Impedance @ 25MHz (Ω)	Impedance @ 100MHz (Ω)	Rated Current	Dimensions: mm					Number of Turns	Price Each			
						A	B	C	D	E		1	10	50	100
875-28C0236-0BW-10	28C0236-0BW-10	A	538	835	7	5.99	86.46	10	0.51	14.61	2.5	.39	.327	.281	.253
875-28C0236-0EW-10	28C0236-0EW-10	B	605	998	7	5.99	50.53	10	0.51	14.61	3.0	.39	.327	.281	.253

DIFFERENTIAL MODE FERRITE EMI FILTERS

- Up to 10 Amps continuous operation
- 3, 4, 5, and 8 line configurations available



For quantities greater than listed, call for quote.

MOUSER STOCK NO.	Steward Part No.	Fig.	Mounting Style	Impedance @ 100MHz (Ω)	Rated Current	Dimensions: mm			Price Each			
						A	B	C	1	10	50	100
875-29F0418-1SR-10	29F0418-1SR-10	C	SMD	119	6	6.10	4.50	4.19	1.50	1.30	1.20	1.00
875-29F0430-2SR-10	29F0430-2SR-10	C	SMD	200	9	10.87	10.87	6.35	1.72	1.49	1.38	.81
875-29F0428-0T0-10	29F0428-0T0-10	D	Thru-Hole	342	10	10.88	10.88	10.57	1.31	1.08	.94	.75
875-29F0429-0T0-10	29F0429-0T0-10	D	Thru-Hole	285	10	10.88	5.49	10.44	.99	.83	.72	.57

COMMON MODE CHIP BEAD - HIGH CURRENT

- Stable performance
- Compact common mode noise filters
- Up to 10 Amps continuous current
- Low profile (as low as 1.6mm)



For quantities greater than listed, call for quote.

MOUSER STOCK NO.	Steward Part No.	Fig.	Impedance @ 100MHz (Ω)	Peak Z Frequency (MHz)	DCR (Ω)	Rated Current (A)	Dimensions: mm			Price Each			
							A	B	C	1	10	50	100
875-CM1812X330R-10	CM1812X330R-10	E	33	3000	.003	10	4.57	3.05	1.60	.71	.67	.62	.47
875-CM3312R111R-10	CM3312R111R-10	E	110	3000	.005	5	8.50	3.05	2.36	.36	.28	.25	.23
875-CM3322U610R-10	CM3322U610R-10	F	61	3000	.015	7	8.50	5.60	2.10	.75	.66	.55	.44

HIGH CURRENT COMMON MODE CHOKE ARRAYS

- Current ratings up to 75 Amps
- Can be used in 3 phase applications
- Both through hole and SMD configurations



For quantities greater than listed, call for quote.

MOUSER STOCK NO.	Steward Part No.	Fig.	Impedance @ 100MHz (Ω)	DCR (Ω)	Rated Current	Dimensions: mm			Price Each			
						A	B	C	1	10	50	100
875-CM2545X171B-10	CM2545X171B-10	G	170	.01	10	6.3	11.38	9.32	.81	.67	.58	.52
875-CM4545Z131B-10	CM4545Z131B-10	H	130	.01	10	11.38	11.38	9.32	.95	.79	.68	.54
875-CM3440Z171R-10	CM3440Z171R-10	I	170	.001	20	8.51	10.03	9.32	1.51	1.17	1.01	.86
875-CM5740Z171B-10	CM5740Z171B-10	J	170	.001	20	14.48	10.03	9.32	1.22	1.02	.91	.81
875-CM5740Z171R-10	CM5740Z171R-10	K	170	.001	20	14.48	10.03	9.32	1.70	1.32	1.15	1.07
875-CM5441Z101B-10	CM5441Z101B-10	L	100	.0003	30	13.72	10.41	10.52	1.61	1.34	1.15	.63
875-CM5441Z161B-10	CM5441Z161B-10	L	160	.0003	30	13.72	10.41	10.52	1.69	1.41	1.21	.75
875-CM4732V301R-10	CM4732V301R-10	M	300	.01	8	11.94	8.13	9.45	2.46	1.91	1.66	1.50

COMMON MODE EMI FILTER ARRAYS

- Up to 5 Amps continuous
- 2, 3, and 4 choke versions
- Low normal mode Z at 100MHz
- SMD mounting style



For quantities greater than listed, call for quote.

MOUSER STOCK NO.	Steward Part No.	Fig.	Impedance @ 100MHz (Ω)	DCR (Ω)	Rated Current	Dimensions: mm			Price Each			
						A	B	C	1	10	50	100
875-CM2722R201R-10	CM2722R201R-10	N	200	.02	5	6.99	5.72	9.53	1.25	1.08	1.00	.85
875-CM3822R201R-10	CM3822R201R-10	M	200	.02	5	9.78	5.72	7.62	1.44	1.25	1.15	.70
875-CM5022R151R-10	CM5022R151R-10	O	150	.02	5	12.57	5.72	7.62	1.31	1.14	1.05	.69
875-CM5022R201R-10	CM5022R201R-10	O	200	.02	5	12.57	5.72	7.62	1.69	1.47	1.36	.92
875-CM5022R800R-10	CM5022R800R-10	O	80	.02	5	12.57	5.72	7.62	1.21	1.05	.97	.64