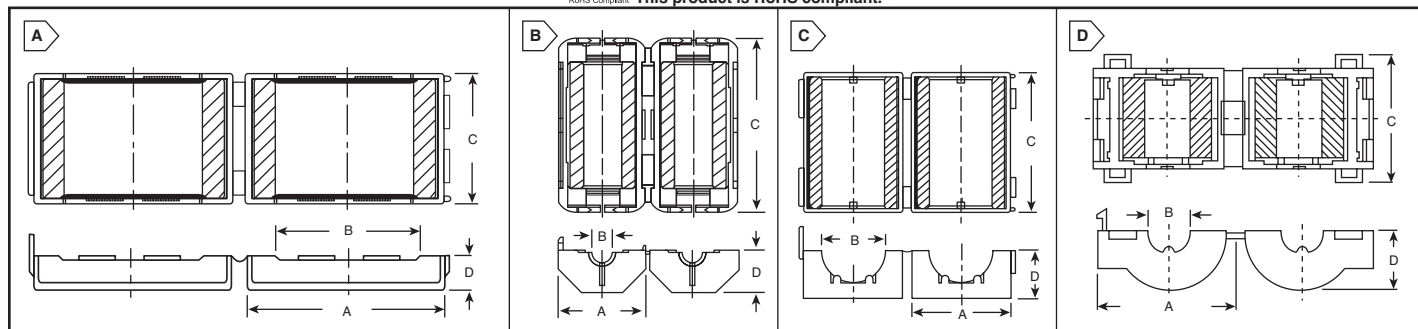


# FAIR-RITE EMI Suppression Ferrite Cores



RoHS Compliant. This product is RoHS compliant.



## Fair-Rite Products Corp. EMI SUPPRESSION CORES WITH CASES

DIMENSIONS: in.

### Flat Cable Cores with Cases

- Case material: Polypropylene
- Flammability rating: UL94-V0

RoHS Compliant

For quantities greater than listed, call for quote.

MOUSER STOCK NO.	Fair-Rite Part No.	Fig.	Typ. Imp. (Ω) @ 100MHz	Typ. Imp. (Ω) @ 10MHz	Dimensions: in.				Price Each		
					A	B	C	D	1	10	50
623-0443166651	0443166651	A	225	---	1.950	1.350	1.272	.320	2.70	2.42	2.39
623-0443163951	0443163951	A	235	35	2.670	2.050	1.272	.320	3.79	3.51	3.45
623-0443164051	0443164051	A	215	---	3.180	2.570	1.272	.320	8.03	6.18	5.62

### Round Cable Cores with Cases

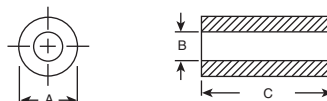
For quantities greater than listed, call for quote.

MOUSER STOCK NO.	Fair-Rite Part No.	Fig.	Typ. Imp. (Ω) @ 10MHz	Typ. Imp. (Ω) @ 25MHz	Typ. Imp. (Ω) @ 100MHz	Typ. Imp. (Ω) @ 250MHz	Typ. Imp. (Ω) @ 500MHz	Dimensions: in.				Price Each		
								A	B	C	D	1	10	50
<b>Material 31</b>														
623-0431164181	0431164181	B	100	156	260	---	---	1.220	0.512	1.550	0.600	3.64	3.60	2.87
623-0431164281	0431164281	B	113	188	310	---	---	0.788	0.260	1.550	0.385	2.13	1.81	1.48
623-0431164951	0431164951	B	100	169	280	---	---	0.680	0.200	1.420	0.331	1.64	1.37	1.33
623-0431167281	0431167281	B	81	144	240	---	---	0.933	0.400	1.550	0.460	2.64	2.33	1.80
623-0431173951	0431173951	B	60	100	180	---	---	0.504	0.200	0.984	0.220	1.27	1.19	.909
623-0431176451	0431176451	B	130	225	380	---	---	1.520	0.722	1.870	0.754	6.99	6.30	6.17
623-0431177081	0431177081	B	145	235	375	---	---	2.220	1.000	1.690	1.080	16.41	12.62	11.47
<b>Material 43</b>														
623-0443164151	0443164151	C	---	156	250	---	---	1.142	0.528	1.280	0.583	3.34	3.09	2.75
623-0443164251	0443164251	C	---	163	275	---	---	0.705	0.275	1.272	0.362	1.87	1.74	1.61
623-0443167251	0443167251	C	---	138	225	---	---	0.870	0.402	1.272	0.433	2.00	1.61	1.55
623-0443625006	0443625006	D	---	50	113	---	---	0.972	0.311	0.898	0.402	1.07	.98	.874
623-0443665806	0443665806	D	---	41	88	---	---	1.035	0.362	0.843	0.433	1.47	1.24	1.20
623-0443800506	0443800506	D	---	35	75	---	---	1.169	0.504	0.811	0.500	1.59	1.48	1.32
623-0443806406	0443806406	D	---	43	90	---	---	1.350	0.591	0.835	0.591	1.08	.99	.96
<b>Material 44</b>														
623-0444164181	0444164181	B	---	138	230	---	---	1.220	0.512	1.550	0.600	2.21	2.10	2.00
623-0444164281	0444164281	B	---	156	260	---	---	0.788	0.260	1.550	0.385	1.61	1.48	1.34
623-0444167281	0444167281	B	---	125	210	---	---	0.933	0.400	1.550	0.461	1.97	1.85	1.65
623-0444173951	0444173951	B	---	94	150	---	---	0.504	0.200	0.984	0.220	1.02	.90	.88
623-0444176451	0444176451	B	---	175	365	---	---	1.520	0.722	1.870	0.754	6.93	6.24	5.40
623-0444177081	0444177081	B	---	195	340	---	---	2.220	1.000	1.690	1.080	14.71	13.47	12.25
<b>Material 61</b>														
623-0461164181	0461164181	B	---	---	206	334	475	1.220	0.512	1.550	0.600	3.37	3.28	3.18
623-0461164281	0461164281	B	---	---	269	395	430	0.788	0.260	1.550	0.385	2.42	2.36	2.32
623-0461167281	0461167281	B	---	---	195	315	450	0.933	0.400	1.550	0.461	1.66	1.60	1.50

## Fair-Rite Products Corp. EMI SUPPRESSION CORES

RoHS Compliant

Recommended suppression materials of unwanted signals between 10MHz and 1000MHz



For quantities greater than listed, call for quote.

MOUSER STOCK NO.	Fair-Rite Part No.	Typ. Imp. (Ω) @ 10MHz	Typ. Imp. (Ω) @ 25MHz	Typ. Imp. (Ω) @ 100MHz	Typ. Imp. (Ω) @ 250MHz	Typ. Imp. (Ω) @ 1000MHz	Dimensions: in.			Price Each			
							A	B	C	1	100	500	1000
<b>Material 31</b>													
623-2631102002	2631102002	103	156	260	---	---	1.020	0.505	1.125	1.90	1.64	1.46	1.42
623-2631480002	2631480002	115	175	295	---	---	0.485	0.200	1.000	.50	.421	.41	.41
623-2631480102	2631480102	58	88	140	---	---	0.485	0.200	0.500	.49	.43	.40	.37
623-2631540002	2631540002	119	181	300	---	---	0.562	0.250	1.125	1.02	.716	.652	.652
623-2631665702	2631665702	89	138	225	---	---	0.687	0.375	1.125	.75	.65	.62	.57
<b>Material 43</b>													
623-2643102002	2643102002	---	145	235	---	---	1.020	0.505	1.125	1.67	1.47	1.35	1.25
623-2643480002	2643480002	---	165	236	---	---	0.485	0.200	1.000	.91	.576	.53	.488
623-2643540002	2643540002	---	171	250	---	---	0.562	0.250	1.125	.63	.48	.454	.454
623-2643625002	2643625002	---	70	113	---	---	0.625	0.312	0.562	.50	.33	.32	.31
623-2643625202	2643625202	---	235	384	---	---	0.625	0.312	2.000	1.25	1.11	1.00	.91
623-2643626402	2643626402	---	128	196	---	---	0.735	0.400	1.125	.98	.75	.72	.72
623-2643665702	2643665702	---	125	200	---	---	0.687	0.375	1.125	1.03	.65	.58	.57
623-2643665802	2643665802	---	55	88	---	---	0.687	0.375	0.500	.69	.333	.316	.30
623-2643800502	2643800502	---	45	82	---	---	0.825	0.520	0.468	.48	.41	.38	.355
623-2643801002	2643801002	---	28	47	---	---	1.142	0.748	0.295	.63	.503	.439	.432
623-2643802702	2643802702	---	48	80	---	---	1.400	0.900	0.500	1.23	.92	.84	.84
623-2643803802	2643803802	---	58	108	---	---	2.400	1.400	0.500	3.83	3.13	3.00	3.00
<b>Material 61</b>													
623-2661102002	2661102002	---	---	225	310	275	1.020	0.505	1.125	3.25	2.78	2.56	2.56
623-2661540002	2661540002	---	---	250	310	260	0.562	0.250	1.125	1.68	1.44	1.08	.84