

RFM SAW Filters

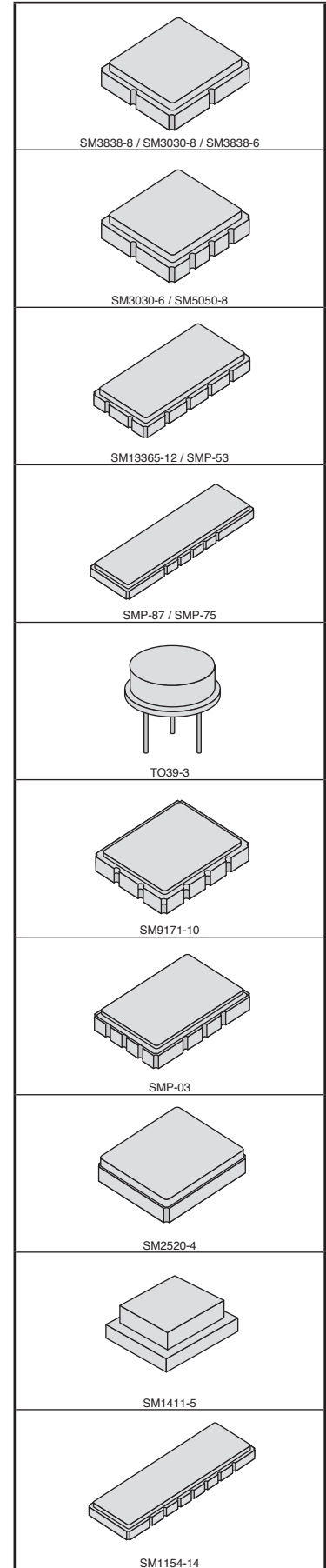
RoHS Compliant This product is RoHS compliant.



SAW FILTERS - RF AND SF SERIES

- Features:**
- Ideal front-end filter for European wireless receivers
 - Operating temperature range: -40°C to +85°C
 - Low-loss, coupled-resonator - quartz design
 - Simple external impedance matching

MOUSER STOCK NO.	RFM Part No.	Package	Center Freq.(Typ.)(MH)	Bandwidth			Insertion Loss	Price Each			
				Min.	Typ.	Max.		1	100	500	1000
RF Series											
719-RF3602D	RF3602D	SM3838-8	305.3000	----	12500	----	1.8	1.85	1.59	1.53	1.48
719-RF1211	RF1211	TO39-3	315.0000	500	700	800	3.0	1.94	1.58	1.05	1.02
719-RF3417E	RF3417E	SM3030-6	315.0000	525	600	675	1.8	1.31	1.06	.71	.69
719-RF1211C	RF1211C	SM5050-8	315.0000	800	900	----	1.8	1.48	1.20	.80	.78
719-RF1402D	RF1402D	SM3838-8	315.0000	1000	----	----	2.7	1.45	1.18	.78	.76
719-RF3603D	RF3603D	SM3838-8	316.4000	----	13000	----	1.8	1.85	1.59	1.53	1.48
719-RF1432C	RF1432C	SM5050-8	319.5000	500	600	800	1.8	1.48	1.20	.80	.78
719-RF3604D	RF3604D	SM3838-8	345.0000	----	16000	----	1.5	1.85	1.59	1.53	1.10
719-RF3605D	RF3605D	SM3838-8	372.2500	----	16000	----	1.5	1.85	1.59	1.53	1.10
719-RF3606D	RF3606D	SM3838-8	390.0000	----	16000	----	1.4	1.85	1.59	1.53	1.10
719-RF3607D	RF3607D	SM3838-8	403.5000	----	18000	----	1.7	1.85	1.59	1.53	1.10
719-RF3608D	RF3608D	SM3838-8	426.4000	----	19500	----	1.8	1.85	1.59	1.53	1.10
719-RF1391C	RF1391C	SM5050-8	433.4200	500	600	750	3.0	1.60	1.30	.86	.84
719-RF1172	TO39-3	TO39-3	433.9200	500	600	800	3.5	1.94	1.58	1.05	1.02
719-RF1172C	RF1172C	SM5050-8	433.9200	500	600	800	3.0	1.48	1.20	.80	.78
719-RF3404D	RF3404D	SM3838-8	433.9200	500	600	800	1.6	1.31	1.06	.71	.69
719-RF3404E	RF3404E	SM3030-6	433.9200	600	650	750	2.3	1.31	1.06	.71	.69
719-RF1404C	RF1404C	SM5050-8	433.9200	650	700	----	2.4	1.48	1.20	.80	.78
719-RF1404D	RF1404D	SM5050-8	433.9200	650	700	----	2.4	1.37	1.11	.74	.72
719-RF1396C	RF1396C	SM5050-8	434.4200	500	700	800	5.0	1.60	1.30	.86	.84
719-RF3609D	RF3609D	SM3838-8	449.0000	----	18000	----	1.4	1.85	1.59	1.53	1.10
719-RF3501E	RF3501E	SM3030-8	866.1000	----	40000	----	3.0	1.85	1.59	1.53	1.10
719-RF1407D	RF1407D	SM3838-8	868.6000	1200	1800	----	4.2	1.37	1.11	.74	.72
719-RF3600E	RF3600E	SM3030-8	868.6000	----	1600	2100	1.8	1.85	1.59	1.53	1.10
719-RF3319D	RF3319D	SM3838-8	868.9500	500	650	900	2.2	1.37	1.11	.74	.72
719-RF1411D	RF1411D	SM3838-8	869.2625	----	1250	----	3.3	1.37	1.11	.74	.72
719-RF2040E	RF2040E	SM3030-8	915.0000	----	31000	----	2.0	1.90	1.65	1.59	1.15
719-RF3181D	RF3181D	SM3838-8	916.5000	500	600	900	2.5	1.37	1.11	.74	.72
719-RF3181E	RF3181E	SM3030-6	916.5000	500	750	900	2.7	1.31	1.06	.71	.69
719-RF3181	RF3181	TO39-3	916.5000	600	750	1000	3.2	1.94	1.58	1.05	1.02
719-RF3601E	RF3601E	SM3030-8	960.0000	----	40000	----	2.1	1.85	1.59	1.53	1.10
SF Series											
719-SF1177A	SF1177A	SM13365-12	57.60000	21.2	----	----	15.0	16.00	13.02	12.11	9.69
719-SF2037B	SF2037B	SMP-03	76.5000	3.8	4.1	----	10.0	5.00	4.07	4.04	3.11
719-SF2038B	SF2038B	SMP-03	76.5000	12.5	14.0	----	10.0	5.00	4.07	4.04	3.11
719-SF1200B	SF1200B	SMP-03	96.0000	51	57	----	8.0	14.28	11.62	11.12	9.09
719-SF2135A	SF2135A	SM13365-12	96.0000	1.56	1.80	----	11.8	9.33	7.22	6.83	5.22
719-SF1056A	SF1056A	SM13365-12	110.5920	576	750	----	8.5	11.45	9.32	9.21	7.37
719-SF1126A	SF1126A	SM9171-10	127.0000	15000	----	----	14.0	21.12	14.08	13.50	13.00
719-SF1114A-1	SF1114A-1	SM9171-10	137.2000	100	----	----	7.0	25.77	16.32	15.46	14.82
719-SF1088A	SF1088A	SMP-75	170.6000	90	----	----	8.0	14.17	11.53	11.40	9.12
719-SF1179B	SF1179B	SMP-03	184.1400	11	13.9	----	8.2	3.77	3.07	2.85	2.28
719-SF1092A	SF1092A	SMP-75	199.0000	100	140	----	5.5	16.28	13.25	12.34	9.87
719-SF1115A	SF1115A	SM9171-10	199.0000	100	----	----	7.0	12.08	9.83	8.16	6.53
719-SF1091A	SF1091A	SM13365-12	211.0000	450	500	----	7.0	13.03	10.60	9.86	7.89
719-SF2030A	SF2030A	SM1154-14	243.9500	150	----	----	5.0	20.00	16.28	15.56	12.73
719-SF1120B	SF1120B	SMP-03	298.7400	1100	1150	1300	12.0	5.65	4.60	4.29	3.43
719-SF2109D	SF2109D	SM3838-8	305.0000	30	35	----	7.0	8.57	6.97	6.92	5.33
719-SF2125D	SF2125D	SM3838-8	305.0000	5	7.5	----	8.5	4.28	3.48	3.33	2.73
719-SF1143B	SF1143B	SMP-03	315.0000	6.35	7.05	----	15.1	4.74	3.86	3.83	2.95
719-SF1059A	SF1059A	SM9171-10	350.0000	400	600	----	8.0	10.05	8.18	6.03	4.83
719-SF1174B	SF1174B	SM5050-8	374.0000	17	23	----	8.7	2.68	2.18	2.04	1.63
719-SF1174D	SF1174D	SM3838-8	374.0000	17	23.3	----	8.6	2.40	1.95	1.82	1.45
719-SF1145B	SF1145B	SMP-03	427.2500	15	----	----	3.5	12.14	9.88	7.35	5.88
719-SF2136E	SF2136E	SM3030-6	433.9200	----	8.5	----	2.0	1.35	.90	.81	.741
719-SF2073B	SF2073B	SMP-03	456.0000	35	50	----	12.5	6.31	5.14	4.91	4.02
719-SF2046B	SF2046B	SMP-03	456.4400	----	6.5	----	8.0	11.33	9.22	8.13	7.22
719-SF1188C	SF1188C	SM5050-8	465.0000	4500	----	10000	2.0	2.85	2.32	2.17	1.95
719-SF2126E	SF2126E	SM3030-8	725.0000	40	----	----	2.6	1.71	.98	.882	.809
719-SF2092E	SF2092E	SM3030-8	810.0000	41	48	----	1.6	1.74	1.16	1.04	.96
719-SF2137E	SF2137E	SM3030-6	869.0000	----	17	----	2.8	1.50	.86	.776	.709
719-SF2049E	SF2049E	SM3030-6	915.0000	50	63	----	2.2	1.22	.70	.631	.577
719-SF2053E	SF2053E	SM3030-6	915.0000	18	31	----	3.0	1.74	1.16	1.04	.96
719-SF2093E	SF2093E	SM3030-8	915.0000	40	54	----	2.5	1.22	.70	.631	.577
719-SF2008D	SF2008D	SM3838-6	930.5000	35	----	----	4.5	2.62	2.13	1.99	1.59
719-SF2002B-2	SF2002B-2	SM3030-6	942.5000	17	20.5	----	2.2	2.62	2.13	1.99	1.59
719-SF2002E	SF2002E	SM3030-6	942.5000	17	20.5	----	2.2	1.50	.86	.776	.709
719-SF1184B-1	SF1184B-1	SM3030-6	947.5000	50	62.1	----	2.7	1.35	.90	.81	.741
719-SF2017E	SF2017E	SM3030-8	1220.0000	50	57	----	3.4	17.50	12.00	11.80	11.72
719-SF2032E	SF2032E	SM3030-8	1220.0000	40	59	----	4.0	1.71	.98	.882	.809
719-SF1186B-2	SF1186B-2	SM3030-6	1575.4200	2046	15300	----	15.3	1.35	.90	.81	.741
719-SF1186G	SF1186G	SM2520-4	1575.4200	35	37	----	2.2	1.22	.70	.631	.577
719-SF1192B	SF1192B	SM3030-6	1842.5000	20	28	----	2.2	1.71	.98	.882	.809
719-SF2036E	SF2036E	SM3030-6	1880.0000	30	35	----	2.45	1.71	.98	.882	.809
719-SF2001E	SF2001E	SM3030-6	1960.0000	20	32	----	2.35	1.50	.86	.776	.709
719-SF2124E	SF2124E	SM3030-6	2441.8000	20	29	----	2.1	1.71	.98	.882	.809



Frequency Control RFM