

EPSON TOYOCOM Crystals

RoHS Compliant This product is RoHS compliant.



SMD MHZ RANGE CRYSTAL UNITS

Specifications:

- Frequency range: 14.31818MHz, 17.734MHz to 41.0MHz

Applications:

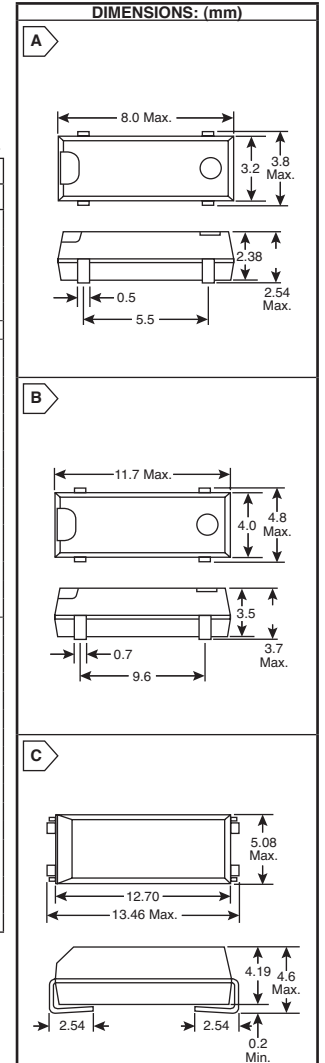
- Clock of integrated circuit



RoHS Compliant

For quantities greater than listed, call for quote.

MOUSER STOCK NO.	Epson Toyocom Part No.	Fig.	Frequency (MHz)	Package L x W x H (mm)	Price Each				
					1	10	50	100	500
732-MA-30618.4-COR	MA-306 18.4320M-C0:ROHS	A	18.432000	8.0 X 3.8 2.54	2.14	1.83	1.52	1.37	1.22
732-MA-30620-COR	MA-306 20.0000M-C0:ROHS	A	20.000000	8.0 X 3.8 2.54	2.14	1.83	1.52	1.37	1.22
732-MA-30624-COR	MA-306 24.0000M-C0:ROHS	A	24.000000	8.0 X 3.8 2.54	2.14	1.83	1.52	1.37	1.22
732-MA-30624.57-COR	MA-306 24.5760M-C0:ROHS	A	24.576000	8.0 X 3.8 2.54	2.14	1.83	1.52	1.37	1.22
732-MA-30625-COR	MA-306 25.0000M-C0:ROHS	A	25.000000	8.0 X 3.8 2.54	2.14	1.83	1.52	1.37	1.22
732-MA-30632-COR	MA-306 32.0000M-C0:ROHS	A	32.000000	8.0 X 3.8 2.54	2.14	1.83	1.52	1.37	1.22
732-MA-40625-C3R	MA-406 25.0000M-C3:ROHS	B	25.000000	11.7 X 4.8 3.7	1.12	.96	.80	.72	.64
732-MA-50510-COR	MA-505 10.0000M-C0:ROHS	C	10.000000	12.7 X 5.08 x 4.6	1.12	.96	.80	.72	.64
732-MA-50511.05-COR	MA-505 11.0592M-C0:ROHS	C	11.059200	12.7 X 5.08 x 4.6	1.12	.96	.80	.72	.64
732-MA-50512-COR	MA-505 12.0000M-C0:ROHS	C	12.000000	12.7 X 5.08 x 4.6	1.12	.96	.80	.72	.64
732-MA-50514.31-COR	MA-505 14.3180M-C0:ROHS	C	14.318000	12.7 X 5.08 x 4.6	1.12	.96	.80	.72	.64
732-MA-50514.74-COR	MA-505 14.7456M-C0:ROHS	C	14.745600	12.7 X 5.08 x 4.6	1.12	.96	.80	.72	.64
732-MA-50516-COR	MA-505 16.0000M-C0:ROHS	C	16.000000	12.7 X 5.08 x 4.6	1.12	.96	.80	.72	.64
732-MA-50518.43-COR	MA-505 18.4320M-C0:ROHS	C	18.432000	12.7 X 5.08 x 4.6	1.12	.96	.80	.72	.64
732-MA-50520-COR	MA-505 20.0000M-C0:ROHS	C	20.000000	12.7 X 5.08 x 4.6	1.12	.96	.80	.72	.64
732-MA-50524-COR	MA-505 24.0000M-C0:ROHS	C	24.000000	12.7 X 5.08 x 4.6	1.12	.96	.80	.72	.64
732-MA-50524.57-COR	MA-505 24.5760M-C0:ROHS	C	24.576000	12.7 X 5.08 x 4.6	1.12	.96	.80	.72	.64
732-MA-50525-COR	MA-505 25.0000M-C0:ROHS	C	25.000000	12.7 X 5.08 x 4.6	1.12	.96	.80	.72	.64
732-MA-5054-COR	MA-505 4.0000M-C0:ROHS	C	4.000000	12.7 X 5.08 x 4.6	2.80	2.40	2.00	1.80	1.60
732-MA-5056-COR	MA-505 6.0000M-C0:ROHS	C	6.000000	12.7 X 5.08 x 4.6	1.12	.96	.80	.72	.64
732-MA-5057.37-COR	MA-505 7.3728M-C0:ROHS	C	7.372800	12.7 X 5.08 x 4.6	1.12	.96	.80	.72	.64
732-MA-5058-COR	MA-505 8.0000M-C0:ROHS	C	8.000000	12.7 X 5.08 x 4.6	1.12	.96	.80	.72	.64
732-MA-50610-COR	MA-506 10.0000M-C0:ROHS	C	10.000000	12.7 X 5.08 x 4.6	1.12	.96	.80	.72	.64
732-MA-50611.05-COR	MA-506 11.0592M-C0:ROHS	C	11.059200	12.7 X 5.08 x 4.6	1.12	.96	.80	.72	.64
732-MA-50612-COR	MA-506 12.0000M-C0:ROHS	C	12.000000	12.7 X 5.08 x 4.6	1.12	.96	.80	.72	.64
732-MA-50612.28-COR	MA-506 12.2880M-C0:ROHS	C	12.288000	12.7 X 5.08 x 4.6	1.12	.96	.80	.72	.64
732-MA-50614.74-COR	MA-506 14.7456M-C0:ROHS	C	14.745600	12.7 X 5.08 x 4.6	1.12	.96	.80	.72	.64
732-MA-50616-COR	MA-506 16.0000M-C0:ROHS	C	16.000000	12.7 X 5.08 x 4.6	1.12	.96	.80	.72	.64
732-MA-50618.43-COR	MA-506 18.4320M-C0:ROHS	C	18.432000	12.7 X 5.08 x 4.6	1.12	.96	.80	.72	.64
732-MA-50620-COR	MA-506 20.0000M-C0:ROHS	C	20.000000	12.7 X 5.08 x 4.6	1.12	.96	.80	.72	.64
732-MA-50622.11-COR	MA-506 22.1184M-C0:ROHS	C	22.118400	12.7 X 5.08 x 4.6	1.12	.96	.80	.72	.64
732-MA-50624.57-COR	MA-506 24.5760M-C0:ROHS	C	24.576000	12.7 X 5.08 x 4.6	1.12	.96	.80	.72	.64
732-MA-50625-COR	MA-506 25.0000M-C0:ROHS	C	25.000000	12.7 X 5.08 x 4.6	1.12	.96	.80	.72	.64
732-MA-5064-COR	MA-506 4.0000M-C0:ROHS	C	4.000000	12.7 X 5.08 x 4.6	2.80	2.40	2.00	1.80	1.60
732-MA-5064.09-COR	MA-506 4.0960M-C0:ROHS	C	4.096000	12.7 X 5.08 x 4.6	2.80	2.40	2.00	1.80	1.60
732-MA-5064.91-COR	MA-506 4.9152M-C0:ROHS	C	4.915200	12.7 X 5.08 x 4.6	2.80	2.40	2.00	1.80	1.60
732-MA-5066-COR	MA-506 6.0000M-C0:ROHS	C	6.000000	12.7 X 5.08 x 4.6	1.12	.96	.80	.72	.64
732-MA-5067.37-COR	MA-506 7.3728M-C0:ROHS	C	7.372800	12.7 X 5.08 x 4.6	1.12	.96	.80	.72	.64
732-MA-5068-COR	MA-506 8.0000M-C0:ROHS	C	8.000000	12.7 X 5.08 x 4.6	1.12	.96	.80	.72	.64



SMD KHZ RANGE CRYSTAL UNITS

Specifications:

- Case size: 8.0mm x 3.8mm x 2.54mm
- Frequency range: 14.31818MHz, 17.734MHz to 41.0MHz

Applications:

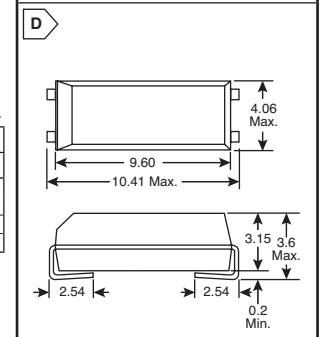
- Clock and microcomputer



RoHS Compliant

For quantities greater than listed, call for quote.

MOUSER STOCK NO.	Epson Toyocom Part No.	Fig.	Frequency (MHz)	Load Capacitance (pF)	Price Each				
					1	10	50	100	500
732-MC30632.7680KA0R	MC-306 32.7680K-A0:ROHS	A	32.768	12.5	.95	.81	.675	.607	.54
732-MC30632.768K-E3R	MC-306 32.768K-E3:ROHS	A	32.768	6	.95	.81	.675	.607	.54
732-MC40532.7680KA0R	MC-405 32.7680K-A0:ROHS	D	32.768	12.5	.95	.81	.675	.607	.54
732-MC40632.768K-A3R	MC-406 32.768K-A3:ROHS	D	32.768	12.5	.95	.81	.675	.607	.54



MINIATURE SIZE, LOW PROFILE, SMD, MHZ RANGE CRYSTAL UNITS

Specifications:

- Case size: 3.2mm x 2.5mm x .6mm
- Frequency range: 12.0MHz to 54MHz

Applications:

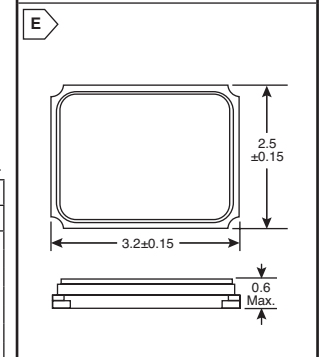
- Mobile phone, Bluetooth, W-LAN, ISM band radio, clock for MPU



RoHS Compliant

For quantities greater than listed, call for quote.

MOUSER STOCK NO.	Epson Toyocom Part No.	Fig.	Frequency (MHz)	Load Capacitance (pF)	Price Each				
					1	10	50	100	500
732-TX325-16F09Z-AC3	TSX-3225 16.0000MF09Z-AC3	E	16.000000	9	3.45	2.87	2.58	2.43	1.96
732-TX325-16F18X-AC3	TSX-3225 16.0000MF18X-AC3	E	16.000000	9	3.45	2.87	2.58	2.43	1.96
732-TX325-20F20G-AC3	TSX-3225 20.0000MF20G-AC3	E	20.000000	9	3.45	2.87	2.58	2.43	1.96
732-TX325-24F15X-AC3	TSX-3225 24.0000MF15X-AC3	E	24.000000	9	3.45	2.87	2.58	2.43	1.96
732-TX325-24F20G-AC3	TSX-3225 24.0000MF20G-AC3	E	24.000000	9	3.45	2.87	2.58	2.43	1.96
732-TX325-26F09Z-AC3	TSX-3225 26.0000MF09Z-AC3	E	26.000000	9	3.45	2.87	2.58	2.43	1.96
732-TX325-38.4F10ZA3	TSX-3225 38.4000MF10Z-AS3	E	38.400000	8.5	3.45	2.87	2.58	2.43	1.96



Epson Toyocom Frequency Control