

KEMET Tantalum Capacitors



"ULTRA DIP II" TANTALUM CAPACITORS, 10% TOLERANCE

RoHS Compliant This product is RoHS compliant.

The KEMET "Ultra Dip II" Series, miniature dipped solid tantalum capacitors, provide the designer with the advantage of compactness plus low leakage and low DF performance characteristics for filtering, bypassing, coupling, blocking and RC timing circuits. The plastic case provides a tough barrier coating and maintains precision of lead wire spacing within ±0.015 inch. The gold color epoxy utilized permits laser marking with outstanding permanency and legibility. All case sizes are printed with capacitance, voltage, polarity, and vendor identification. Solid tantalum devices exhibit no degradation failure mode during shelf storage and show a constantly decreasing failure rate (i.e., absence of wearout mechanism) during life tests. The "Ultra Dip II" Series provides self-insulation cases which are resistant to shock and vibration. These capacitors exhibit low DCL, ESR and Impedance and have excellent temperature stability. Voltage rated at 85°C. Derate voltage 33% at 125°C.

Available in various lead configuration, tolerances, and packaging. Contact a Mouser Sales Representative for more information.

T354, Formed Leads

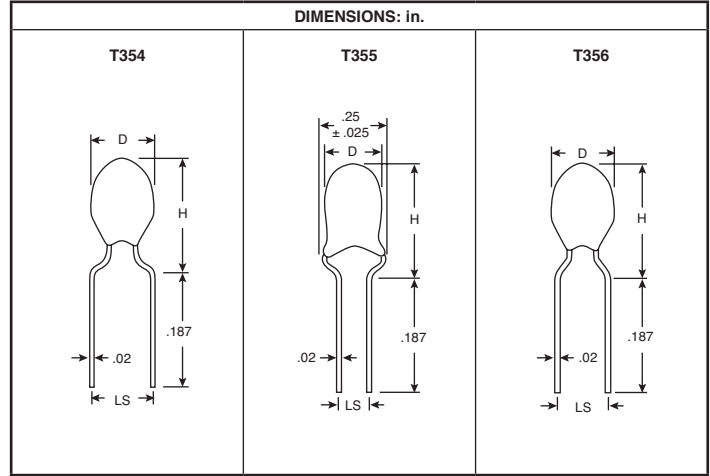
For quantities greater than listed, call for quote.

MOUSER STOCK NO.	KEMET Part No.	Value (µf)	Dimensions: in.			Price Each		
			D	H	LS	1	25	100
6.3 Volt								
80-T354F476K006AT	T354F476K006AT	47	.236	.440	.250	1.60	1.31	1.04
80-T354L337K006AT	T354L337K006AT	330	.350	.710	.250	14.52	11.96	10.52
10 Volt								
80-T354H476K010AT	T354H476K010AT	47	.300	.470	.250	4.23	3.46	2.76
80-T354J107K010AT	T354J107K010AT	100	.330	.550	.250	4.77	3.87	3.10
80-T354L227K010AT	T354L227K010AT	220	.350	.710	.250	14.52	11.96	10.52
16 Volt								
80-T354E106K016AT	T354E106K016AT	10	.216	.400	.250	2.35	1.57	1.38
80-T354F226K016AT	T354F226K016AT	22	.236	.440	.250	2.28	1.52	1.33
80-T354K686K016AT	T354K686K016AT	68	.350	.610	.250	4.77	3.87	3.10
80-T354L107K016AT	T354L107K016AT	100	.350	.710	.250	10.32	10.11	6.03
80-T354M157K016AT	T354M157K016AT	150	.400	.740	.250	14.52	11.96	10.52
20 Volt								
80-T354E106K020AT	T354E106K020AT	10	.216	.400	.250	2.35	1.57	1.38
80-T354F156K020AT	T354F156K020AT	15	.236	.440	.250	1.57	1.33	1.04
80-T354G226K020AT	T354G226K020AT	22	.250	.450	.250	4.11	3.59	3.08
80-T354K476K020AT	T354K476K020AT	47	.350	.610	.250	4.20	3.74	2.90
80-T354L686K020AT	T354L686K020AT	68	.350	.710	.250	10.68	9.35	8.01
80-T354M107K020AT	T354M107K020AT	100	.400	.740	.250	12.01	10.51	8.11
25 Volt								
80-T354B225K025AT	T354B225K025AT	2.2	.175	.350	.250	1.09	.90	.71
80-T354C475K025AT	T354C475K025AT	4.7	.196	.380	.250	1.92	1.68	1.44
80-T354E106K025AT	T354E106K025AT	10	.216	.400	.250	1.17	1.03	.89
80-T354H226K025AT	T354H226K025AT	22	.300	.470	.250	3.11	2.75	2.20
80-T354J276K025AT	T354J276K025AT	27	.330	.550	.250	4.77	3.87	3.10
80-T354J336K025AT	T354J336K025AT	33	.330	.550	.250	4.77	3.87	3.10
80-T354K476K025AT	T354K476K025AT	47	.350	.610	.250	7.08	6.60	6.37
80-T354L686K025AT	T354L686K025AT	68	.350	.710	.250	14.52	11.96	10.52
35 Volt								
80-T354A105K035AT	T354A105K035AT	1.0	.175	.340	.250	.55	.49	.37
80-T354C225K035AT	T354C225K035AT	2.2	.196	.380	.250	1.14	.85	.71
80-T354E475K035AT	T354E475K035AT	4.7	.216	.400	.250	1.66	.96	.74
80-T354F685K035AT	T354F685K035AT	6.8	.236	.440	.250	1.88	1.40	1.17
80-T354G106K035AT	T354G106K035AT	10	.250	.450	.250	2.31	2.10	1.63
80-T354J156K035AT	T354J156K035AT	15	.330	.550	.250	4.20	3.74	2.90
80-T354K226K035AT	T354K226K035AT	22	.350	.610	.250	4.20	3.74	2.90
80-T354L336K035AT	T354L336K035AT	33	.350	.710	.250	5.44	4.91	4.89
80-T354M476K035AT	T354M476K035AT	47	.400	.740	.250	14.52	11.96	10.52
50 Volt								
80-T354B105K050AT	T354B105K050AT	1.0	.175	.350	.250	.81	.67	.53
80-T354G475K050AT	T354G475K050AT	4.7	.250	.450	.250	2.14	1.81	1.39
80-T354K106K050AT	T354K106K050AT	10	.350	.610	.250	9.34	7.22	5.39
80-T354L156K050AT	T354L156K050AT	15	.350	.710	.250	12.25	10.71	9.19
80-T354M226K050AT	T354M226K050AT	22	.400	.740	.250	20.18	16.39	13.11

T355, Formed Leads

For quantities greater than listed, call for quote.

MOUSER STOCK NO.	KEMET Part No.	Value (µf)	Dimensions: in.			Price Each		
			D	H	LS	1	25	100
10 Volt								
80-T355F336K010AT	T355F336K010AT	33	.236	.440	.125	2.75	1.83	1.60
16 Volt								
80-T355E106K016AT	T355E106K016AT	10	.216	.400	.125	2.35	1.57	1.38
80-T355F226K016AT	T355F226K016AT	22	.236	.440	.125	2.28	1.52	1.33
20 Volt								
80-T355E106K020AT	T355E106K020AT	10	.216	.400	.125	2.35	1.57	1.38
80-T355F156K020AT	T355F156K020AT	15	.236	.440	.125	1.57	1.33	1.04
25 Volt								
80-T355B225K025AT	T355B225K025AT	2.2	.175	.350	.125	1.09	.90	.71
80-T355C475K025AT	T355C475K025AT	4.7	.196	.380	.125	1.25	.84	.73
80-T355E106K025AT	T355E106K025AT	10	.216	.400	.125	1.46	1.28	1.11
80-T355H226K025AT	T355H226K025AT	22	.300	.470	.125	8.24	5.49	4.79



D = max. diameter, H = max. height, LS = lead spacing

T355, Formed Leads (Cont.)

For quantities greater than listed, call for quote.

MOUSER STOCK NO.	KEMET Part No.	Value (µf)	Dimensions: in.			Price Each		
			D	H	LS	1	25	100
35 Volt								
80-T355A334K035AT	T355A334K035AT	0.33	.175	.340	.125	1.11	.85	.79
80-T355A105K035AT	T355A105K035AT	1.0	.175	.340	.125	1.12	.74	.61
80-T355B155K035AT	T355B155K035AT	1.5	.175	.350	.125	1.39	1.15	.98
80-T355C225K035AT	T355C225K035AT	2.2	.196	.380	.125	2.01	1.65	1.11
80-T355D335K035AT	T355D335K035AT	3.3	.196	.390	.125	1.94	1.28	1.13
80-T355E475K035AT	T355E475K035AT	4.7	.216	.400	.125	1.04	.91	.74
80-T355F685K035AT	T355F685K035AT	6.8	.236	.440	.125	1.88	1.40	1.17
80-T355G106K035AT	T355G106K035AT	10	.250	.450	.125	2.31	2.10	1.35
50 Volt								
80-T355B105K050AT	T355B105K050AT	1.0	.175	.350	.125	2.01	1.65	1.11
80-T355E225K050AT	T355E225K050AT	2.2	.216	.400	.125	2.11	1.40	1.23

T356, Formed Leads

For quantities greater than listed, call for quote.

MOUSER STOCK NO.	KEMET Part No.	Value (µf)	Dimensions: in.			Price Each		
			D	H	LS	1	25	100
10 Volt								
80-T356J107K010AT	T356J107K010AT	100	.330	.550	.200	3.30	3.18	2.61
16 Volt								
80-T356B475K016AT	T356B475K016AT	4.7	.175	.350	.200	1.16	.91	.79
80-T356E106K016AT	T356E106K016AT	10	.216	.400	.200	1.29	1.00	.77
80-T356F226K016AT	T356F226K016AT	22	.236	.440	.200	1.14	1.00	.92
80-T356H336K016AT	T356H336K016AT	33	.300	.470	.200	2.48	1.95	1.40
80-T356J476K016AT	T356J476K016AT	47	.330	.550	.200	3.80	3.05	2.33
80-T356K686K016AT	T356K686K016AT	68	.350	.610	.200	3.30	3.18	2.61
80-T356L107K016AT	T356L107K016AT	100	.350	.710	.200	7.20	6.18	4.88
80-T356M157K016AT	T356M157K016AT	150	.400	.740	.200	12.16	10.66	8.23
20 Volt								
80-T356E106K020AT	T356E106K020AT	10	.216	.400	.200	1.60	1.23	.95
80-T356F156K020AT	T356F156K020AT	15	.236	.440	.200	2.03	1.77	1.27
80-T356M107K020AT	T356M107K020AT	100	.400	.740	.200	7.42	6.42	5.28
25 Volt								
80-T356C475K025AT	T356C475K025AT	4.7	.196	.380	.200	1.30	1.03	.77
80-T356E106K025AT	T356E106K025AT	10	.216	.400	.200	1.70	1.26	1.00
80-T356H226K025AT	T356H226K025AT	22	.300	.470	.200	3.56	2.82	2.19
80-T356J336K025AT	T356J336K025AT	33	.330	.550	.200	3.30	3.18	2.61
80-T356K476K025AT	T356K476K025AT	47	.350	.610	.200	5.11	4.56	3.46
80-T356L686K025AT	T356L686K025AT	68	.350	.710	.200	12.16	10.66	8.23
35 Volt								
80-T356A105K035AT	T356A105K035AT	1.0	.175	.340	.200	1.05	.78	.58
80-T356C225K035AT	T356C225K035AT	2.2	.196	.380	.200	1.16	.88	.68
80-T356E475K035AT	T356E475K035AT	4.7	.216	.400	.200	1.42	1.10	.85
80-T356G106K035AT	T356G106K035AT	10	.250	.450	.200	2.24	1.80	1.38
80-T356K226K035AT	T356K226K035AT	22	.350	.610	.200	3.21	2.97	2.46
80-T356L336K035AT	T356L336K035AT	33	.350	.710	.200	12.08	9.67	7.26
50 Volt								
80-T356B105K050AT	T356B105K050AT	1.0	.175	.350	.200	1.16	.90	.68
80-T356K106K050AT	T356K106K050AT	10	.350	.610	.200	5.36	5.17	3.63
80-T356M226K050AT	T356M226K050AT	22	.400	.740	.200	20.11	13.40	11.72

Tantalum Caps, Leaded

KEMET