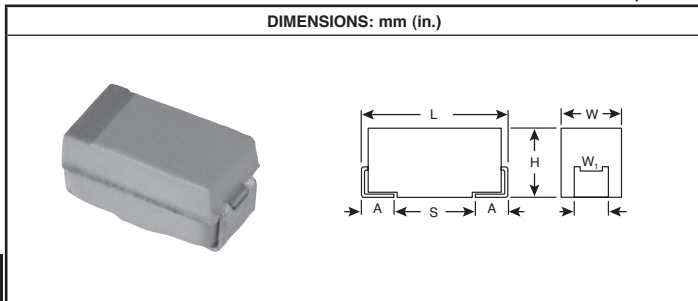


# AVX Tantalum Chip Capacitors

RoHS Compliant This product is RoHS compliant.



Code	EIA Code	L	W	H	W <sub>1</sub>	A	S Min.
A	1206	3.2 (0.126)	1.6 (0.063)	1.6 (0.063)	1.2 (0.031)	0.8 (0.031)	1.1 (0.043)
B	1210	3.5 (0.138)	2.8 (0.110)	1.9 (0.075)	2.2 (0.087)	0.8 (0.031)	1.4 (0.055)
C	2312	6.0 (0.236)	3.2 (0.126)	2.6 (0.102)	2.2 (0.087)	1.3 (0.051)	2.9 (0.114)
D	2917	7.3 (0.287)	4.3 (0.169)	2.9 (0.114)	2.4 (0.094)	1.3 (0.051)	4.4 (0.173)
E	2917	7.3 (0.287)	4.3 (0.169)	4.1 (0.162)	2.4 (0.094)	1.3 (0.051)	4.4 (0.173)
R	0805	2.05(0.081)	1.30(0.051)	1.20(0.047)	1.0±0.1 (0.039±0.004)	0.50(0.020)	0.85(0.033)
S	1206-12	3.20(0.126)	1.60(0.063)	1.20(0.047)	1.20(0.047)	0.80(0.031)	1.10(0.043)
T	1210-12	3.50(0.138)	2.80(0.110)	1.20(0.047)	2.20(0.087)	0.80(0.031)	1.40(0.055)
V	2924	7.3 (0.287)	6.1 (0.24)	3.45±0.30 (0.136±0.012)	3.1 (0.12)	1.4 (0.055)	4.4 (0.173)
W	2312-15	6.00(0.236)	3.20(0.126)	1.50(0.059)	2.20(0.087)	1.30(0.051)	2.90(0.114)
X	2917-15	7.30(0.287)	4.30(0.169)	1.50(0.059)	2.40(0.094)	1.30(0.051)	4.40(0.173)
Y	2917-20	7.30(0.287)	4.30(0.169)	2.00(0.079)	2.40(0.094)	1.30(0.051)	4.40(0.173)

## TAJ SERIES 125°C STANDARD TANTALUM CHIP CAPACITORS (CONT.)

### Features & Specifications:

- General purpose SMT chip tantalum series
- 6 case sizes available
- Capacitance range: 0.1µF to 2200µF
- Temperature range: -55°C to 125°C
- Reliability: 1% per 1000 hours at 85°C, V<sub>R</sub> with 0.1Ω/V series impedance, 60% confidence level



MOUSER STOCK NO.	AVX Part Number	Case Size	Value (µF)	Tol (%)	Price Each		Tape and Reel		
					1	100	Qty.	Price Each	
<b>35 Volt (Cont.)</b>									
581-TAJW335K035R	TAJW335K035RNJ	W	3.3	10	4.41	1.54	1000	1.32	
581-TAJD475K035	TAJD475K035RNJ	D	4.7	10	.97	.73	500	.35	
581-TAJC685K035R	TAJC685K035RNJ	C	6.8	10	1.01	.76	500	.36	
581-TAJD685K035R	TAJD685K035RNJ	D	6.8	10	.62	.47	500	.226	
581-TAJD106K035	TAJD106K035RNJ	D	10	10	1.41	1.07	500	.51	
581-TAJY106K035R	TAJY106K035RNJ	Y	10	10	3.00	2.28	1000	.98	
581-TAJE476K035	TAJE476K035RNJ	E	47	10	6.88	5.22	400	2.43	
<b>50 Volt</b>									
581-TAJA104K050	TAJA104K050RNJ	A	0.10	10	.50	.38	2000	.162	
581-TAJA224K050RNJ	TAJA224K050RNJ	A	0.22	10	1.25	.952	2000	.425	
581-TAJB334K050R	TAJB334K050RNJ	B	0.33	10	1.30	1.00	2000	.566	
581-TAJB474K050RNJ	TAJB474K050RNJ	B	0.47	10	1.30	1.00	2000	.566	
581-TAJB105K050R	TAJB105K050RNJ	B	1	10	1.30	1.00	2000	.566	
581-TAJB155K050RNJ	TAJB155K050RNJ	B	1.5	10	.91	.70	2000	.396	
581-TAJC155K050RNJ	TAJC155K050RNJ	C	1.5	10	2.81	2.04	500	1.50	
581-TAJB225K050RNJ	TAJB225K050RNJ	B	2.2	10	.97	.75	2000	.424	
581-TAJD225K050SNJ	TAJD225K050SNJ	D	2.2	10	.87	.73	2500	.45	
581-TAJD225K050R	TAJD225K050RNJ	D	2.2	10	1.43	1.08	500	.52	
581-TAJC335K050RNJ	TAJC335K050RNJ	C	3.3	10	2.03	1.53	500	.73	
581-TAJD335K050R	TAJD335K050RNJ	D	3.3	10	1.86	1.41	500	.67	
581-TAJC475K050RNJ	TAJC475K050RNJ	C	4.7	10	2.03	1.53	500	.73	
581-TAJD685M050S	TAJD685M050SNJ	D	6.8	20	4.12	3.09	2500	1.39	
581-TAJC685K050RNJ	TAJC685K050RNJ	C	6.8	10	2.03	1.53	500	.73	
581-TAJD685K050	TAJD685K050RNJ	D	6.8	10	5.25	3.99	500	1.91	
581-TAJE106K050	TAJE106K050RNJ	E	10	10	11.25	8.55	400	3.58	
581-TAJD156K050RNJ	TAJD156K050RNJ	D	15	10	5.25	3.68	500	2.13	
581-TAJE156K050RNJ	TAJE156K050RNJ	E	15	10	9.53	7.69	400	3.58	
581-TAJV226K050	TAJV226K050RNJ	V	22	10	9.25	7.03	400	3.14	

## TAJ SERIES - 125°C LOW PROFILE TANTALUM CHIP CAPACITORS

### Features & Specifications:

- General purpose SMT chip tantalum series
- 6 case sizes available
- Capacitance range: 0.1 µF to 2200µF
- Temperature range: -55°C to 125°C
- Reliability: 1% per 1000 hours at 85°C, V<sub>R</sub> with 0.1Ω/V series impedance, 60% confidence level

MOUSER STOCK NO.	AVX Part Number	Case Size	Value (µF)	Tol (%)	Price Each		Tape and Reel		
					1	100	Qty.	Price Each	
<b>6.3 Volt</b>									
581-TAJS225M006RNJ	TAJS225M006RNJ	S	2.2	20	1.18	.82	2500	.36	
581-TAJR475K006RNJ	TAJR475K006RNJ	R	4.7	10	1.10	.83	2500	.33	
581-TAJT226M006R	TAJT226M006RNJ	T	22	20	1.37	1.04	2500	.42	
581-TAJT476K006RNJ	TAJT476K006RNJ	T	47	10	1.37	1.04	2500	.42	
581-TAJY337K006RNJ	TAJY337K006RNJ	Y	330	10	3.00	2.28	1000	.98	
581-TAJY477K006RNJ	TAJY477K006RNJ	Y	470	10	3.00	2.28	1000	.98	
<b>10 Volt</b>									
581-TAJS335K010RNJ	TAJS335K010RNJ	S	3.3	10	1.20	.91	2500	.36	
581-TAJR475K010R	TAJR475K010RNJ	R	4.7	10	.88	.59	2500	.32	
581-TAJT106K010R	TAJT106K010RNJ	T	10	10	.60	.45	2500	.204	
581-TAJW476K010R	TAJW476K010RNJ	W	47	10	.60	.45	1000	.30	
581-TAJX107K010R	TAJX107K010RNJ	X	100	10	2.60	1.97	1000	.85	
581-TAJY227K010R	TAJY227K010RNJ	Y	220	10	2.60	1.97	1000	.85	
<b>16 Volt</b>									
581-TAJT335K016RNJ	TAJT335K016RNJ	T	3.3	10	1.37	1.04	2500	.42	
581-TAJS475M016R	TAJS475M016RNJ	S	4.7	20	1.18	.82	2500	.36	
581-TAJT106K016R	TAJT106K016RNJ	T	10	10	1.37	1.04	2500	.42	
581-TAJY107K016R	TAJY107K016RNJ	Y	100	10	3.00	2.28	1000	.98	
<b>20 Volt</b>									
581-TAJR104K020R	TAJR104K020RNJ	R	0.10	10	.90	.68	2500	.45	
581-TAJR474K020R	TAJR474K020RNJ	R	0.47	10	1.10	.83	2500	.33	
581-TAJR105K020R	TAJR105K020RNJ	R	1	10	1.10	.83	2500	.33	
581-TAJR225K020RNJ	TAJR225K020RNJ	R	2.2	10	1.10	.83	2500	.33	
<b>25 Volt</b>									
581-TAJW106K025R	TAJW106K025RNJ	W	10	10	1.95	1.71	1000	.73	
581-TAJY476K025RNJ	TAJY476K025RNJ	Y	47	10	3.00	2.28	1000	.98	
<b>35 Volt</b>									
581-TAJT225K035RNJ	TAJT225K035RNJ	T	2.2	10	1.37	1.04	2500	.42	

