

# KEMET Film and Metallized Paper Capacitors



## METALLIZED POLYESTER FILM CAPACITOR

- Features:**
- Operating temperature range: -55°C to +125°C

MOUSER STOCK NO.	KEMET Part Number	Fig.	Voltage (VAC)	Value (µF)	Tol. %	Dimensions: mm			Price Each			
						B	H	L	1	50	100	500
80-F5ABC3220JCB5M	F5ABC3220JCB5M	A	18	0.022	20	4.5	9.5	7.2	4.08	3.42	2.72	2.37
80-F5ABC4150Z3B6M	F5ABC4150Z3B6M	A	18	0.15	20	5.0	10.0	7.2	5.27	4.42	3.51	3.06
80-F5BHC4100Z9A7K	F5BHC4100Z9A7K	A	25	0.1	10	6.0	11.0	7.2	5.14	4.31	3.42	2.98
80-F5DDC4100ZAA6K	F5DDC4100ZAA6K	A	63	0.1	10	4.6	9.6	7.4	2.75	2.31	1.83	1.60
80-F5DDC4100ZAC6K	F5DDC4100ZAC6K	A	63	0.1	10	4.6	9.6	7.4	3.37	2.82	2.24	1.95

For quantities greater than listed, call for quote.

## EMI SUPPRESSOR METALLIZED POLYPROPYLENE CAPACITORS

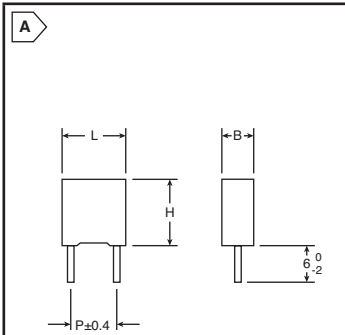
- Features:**
- New improved design: Small dimensions including low profile capacitors
  - Temperature range: PHE840: -55°C to +105°C; PHE850: -55°C to +110°C
  - Construction metallized polypropylene winding, encapsulated in self-extinguishing material meeting the requirements of UL94V-0

- Applications:**
- For worldwide use as electromagnetic interference suppressor in all X2 and across-the-line applications.

## EMI (X & Y) ENGINEERING KIT

\*Included in the kit (13x2 and 8 Y2)

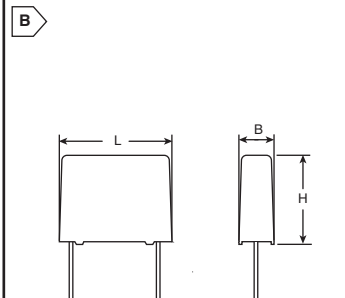
MOUSER STOCK NO.	Price Each	
	1	2
80-FLPENGKIT151	67.50	54.00



\*Included in the kit.

**Approvals:** ENEC, UL, cUL For quantities greater than listed, call for quote.

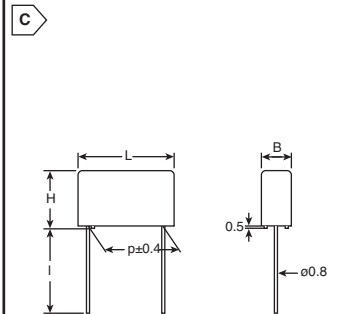
MOUSER STOCK NO.	KEMET Part Number	Fig.	Class	Voltage (VAC)	Value (µF)	Tol. %	Dimensions: mm			Price Each		
							B	H	L	1	50	100
* 80-PHE840MA5100MA01R17	PHE840MA5100MA01R17	B	X2	275/280	0.01	13.0	4.0	9.0	20	.20	.16	.15
* 80-PHE840MA5220MA01R17	PHE840MA5220MA01R17	B	X2	275/280	0.022	13.0	4.0	9.0	20	.28	.233	.209
* 80-PHE840MA5330MA01R17	PHE840MA5330MA01R17	B	X2	275/280	0.033	13.0	4.0	9.0	20	.31	.26	.25
* 80-PHE840MA5470MA02R17	PHE840MA5470MA02R17	B	X2	275/280	0.047	13.0	4.5	10.5	20	.40	.32	.30
* 80-PHE840MB6100MB05R17	PHE840MB6100MB05R17	B	X2	275/280	0.1	18.0	5.5	12.5	20	.48	.40	.36
* 80-PHE840MB6150MB10R17	PHE840MB6150MB10R17	B	X2	275/280	0.15	18.0	6.5	12.5	20	.66	.56	.51
* 80-PHE840MB6220MB12R17	PHE840MB6220MB12R17	B	X2	275/280	0.22	18.0	8.0	15.0	20	.62	.53	.47
* 80-PHE840MB6470MB16R17	PHE840MB6470MB16R17	B	X2	275/280	0.47	18.0	11.0	19.0	20	.95	.65	.57
* 80-PHE840MD6680MD18R06	PHE840MD6680MD18R06	B	X2	275/280	0.68	26.0	10.5	19.0	20	.93	.78	.69
* 80-PHE840MK5100MK01R17	PHE840MK5100MK01R17	B	X2	275/280	0.01	10.0	4.0	8.0	20	.28	.215	.183
* 80-PHE840MK5220MK03R17	PHE840MK5220MK03R17	B	X2	275/280	0.022	10.0	5.0	11.0	20	.28	.235	.215
* 80-PHE840MK5330MK03R17	PHE840MK5330MK03R17	B	X2	275/280	0.033	10.0	5.0	11.0	20	.33	.27	.25
* 80-PHE840MR7220MR05R06	PHE840MR7220MR05R06	B	X2	275/280	2.2	41.0	13.0	24.0	20	4.53	3.21	2.84
* 80-PHE840MX6220MB06R035J	PHE840MX6220MB06R035J	B	X2	275/280	0.22	18.0	7.5	14.5	20	.45	.38	.35
* 80-PHE840MX6220MB06R17	PHE840MX6220MB06R17	B	X2	275/280	0.22	18.0	7.5	14.5	20	.81	.47	.41
* 80-PHE840MY6470MD14R06	PHE840MY6470MD14R06	B	X2	275/280	0.47	26.0	8.0	16.0	20	1.07	.73	.63
* 80-PHE840MY6680MD15R06	PHE840MY6680MD15R06	B	X2	275/280	0.68	26.0	9.0	18.5	20	1.34	1.09	1.00
* 80-PHE840MY7100MD16R06	PHE840MY7100MD16R06	B	X2	275/280	1	26.0	11.0	21.5	20	1.74	1.19	1.03
* 80-PHE840MZ7100MF11R06	PHE840MZ7100MF11R06	B	X2	275/280	1	31.5	10.5	20.5	20	2.83	1.98	1.74
* 80-PHE840MZ7220MF14R06	PHE840MZ7220MF14R06	B	X2	275/280	2.2	31.5	17.5	28.0	20	3.28	2.73	2.13
* 80-PHE850EA4100MA06R17	PHE850EA4100MA06R17	B	Y2	300	0.001	13.0	4.0	8.0	20	.27	.231	.219
* 80-PHE850EA4220MA01R17	PHE850EA4220MA01R17	B	Y2	300	0.0022	13.0	4.0	9.0	20	.41	.23	.192
* 80-PHE850EA4330MA02R17	PHE850EA4330MA02R17	B	Y2	300	0.0033	13.0	4.5	10.5	20	.46	.26	.213
* 80-PHE850EA4470MA03R17	PHE850EA4470MA03R17	B	Y2	300	0.0047	13.0	5.0	11.0	20	.50	.28	.233
* 80-PHE850EB5100MB04R17	PHE850EB5100MB04R17	B	Y2	300	0.01	18.0	5.5	10.5	20	.63	.36	.29
* 80-PHE850EB5470MB14R17	PHE850EB5470MB14R17	B	Y2	300	0.047	18.0	9.5	17.5	20	.97	.64	.53
* 80-PHE850ED6100MD18R06L2	PHE850ED6100MD18R06L2	B	Y2	300	0.1	26.0	10.5	19.0	20	.86	.64	.56
* 80-PHE850ED6220MD20R06L2	PHE850ED6220MD20R06L2	B	Y2	300	0.22	26.0	13.5	23.0	20	1.78	1.23	1.05



## METALLIZED POLYESTER RADIAL CAPACITORS

- Features:**
- Bypassing signal coupling
  - General purpose for highest reliability
  - Construction: Radial leads of tinned wire are electrically welded to the contact metal layer on the ends of the capacitor winding
  - Temperature range: -55°C to +100°C

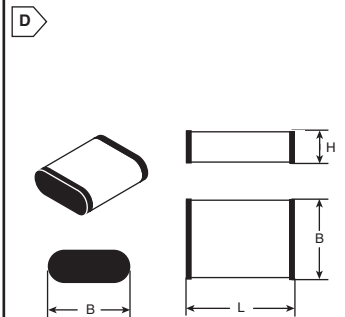
MOUSER STOCK NO.	KEMET Part Number	Fig.	Voltage (VAC)	Value (µF)	Tol. %	Dimensions: mm			Price Each		
						B	H	L	1	50	100
80-MMK5103K63J01L4	MMK5103K63J01L4	B	63	0.01	2.5	6.5	7.2	10	.26	.212	.121
80-MMK5223K63J01L4	MMK5223K63J01L4	B	63	0.022	2.5	6.5	7.2	10	.26	.212	.121
80-MMK5473K63J01L4	MMK5473K63J01L4	B	63	0.047	2.5	6.5	7.2	10	.21	.17	.131
80-MMK5102K63J01L4	MMK5102K63J01L4	B	63	.001	2.5	6.5	7.2	10	.26	.211	.165
80-MMK5104K63J01L4	MMK5104K63J01L4	B	63	0.1	2.5	6.5	7.2	10	.30	.26	.25
80-MMK5222K63J01L4	MMK5222K63J01L4	B	63	.0022	2.5	6.5	7.2	10	.26	.212	.121
80-MMK5224K63J01L4	MMK5224K63J01L4	B	63	0.22	2.5	6.5	7.2	10	.28	.238	.162
80-MMK5472K63J01L4	MMK5472K63J01L4	B	63	.0047	2.5	6.5	7.2	10	.29	.25	.12
80-MMK5474K63J02L4	MMK5474K63J02L4	B	63	0.47	3.5	8.0	7.2	10	.50	.34	.31
80-MMK5105K63J04L4	MMK5105K63J04L4	B	63	1	5.0	10.0	7.2	10	.72	.51	.46



## GENERAL PURPOSE AC/DC METALLIZED PAPER CAPACITORS

- Features:**
- Self-extinguishing UL94V-0 encapsulation material
  - Excellent self-healing properties
  - Ensures long life even when subjected to frequent overvoltages
  - Good resistance to ionization due to impregnated dielectric
  - High dU/dt capability
  - The capacitors meet the most stringent IEC humidity class, 56 days
  - The impregnated paper ensures excellent stability giving outstanding reliability properties, especially in applications having continuous operation

MOUSER STOCK NO.	KEMET Part Number	Fig.	Y	Voltage (VAC)	Value (µF)	Tol. %	Dimensions: mm			Price Each		
							B	H	L	1	50	100
80-PME271Y510MR30	PME271Y510MR30	C	Y2	250	0.01	5.2	10.5	18.5	20	1.15	.77	.68
80-PME271Y510MR19T0	PME271Y510MR19T0	C	Y2	250	0.01	5.2	10.5	18.5	20	1.11	.80	.67
80-PME271Y510MR06	PME271Y510MR06	C	Y2	250	0.01	21.0	38.0	41.0	20	1.11	.80	.67
80-PME271Y515MR30	PME271Y515MR30	C	Y2	250	0.015	5.5	11.0	18.5	20	1.21	.87	.73
80-PME271Y515MR19T0	PME271Y515MR19T0	C	Y2	250	0.015	5.5	11.0	18.5	20	1.10	.79	.67
80-PME271Y533MR30	PME271Y533MR30	C	Y2	250	0.033	7.6	14.0	24.0	20	1.59	1.14	.96
80-PME271Y547MR30	PME271Y547MR30	C	Y2	250	0.047	9.0	15.0	24.0	20	1.88	1.33	1.11
80-PME271Y410MR30	PME271Y410MR30	C	Y2	250	.001	3.9	7.5	13.5	20	1.06	.71	.63
80-PME271Y422MR30	PME271Y422MR30	C	Y2	250	.002	3.9	7.5	13.5	20	1.08	.74	.64
80-PME271Y447MR30	PME271Y447MR30	C	Y2	250	.0047	5.1	10.5	13.5	20	1.13	.80	.67
80-PME271M610MR19T0	PME271M610MR19T0	C	X2	275	0.1	7.6	14.0	24.0	20	1.79	1.27	1.07
80-PME271M422MR30	PME271M422MR30	C	X2	275	0.0022	3.9	7.5	13.5	20	1.23	1.00	.92
80-PME271YA4220MR30	PME271YA4220MR30	C	Y2	300	.0022	3.9	7.5	13.5	20	1.18	.86	.72
80-PME271YA4470MR30	PME271YA4470MR30	C	Y2	300	.0047	5.1	10.5	13.5	20	1.23	.88	.74
80-PME295RB3470MR30	PME295RB3470MR30	C	Y1	440	0.00047	5.5	12.5	18.0	20	1.39	1.00	.84
80-PME264NE6100MR30	PME264NE6100MR30	C	Y2	660	0.01	15.3	22.0	30.5	20	5.05	3.61	3.05



## METALLIZED POLYPHENYLENE SULFIDE CAPACITORS

- Applications (SMR):**
- Automotive and other applications with high ambient temperatures
  - Applications requiring high stability and low losses.
  - Offers excellent sound quality in audio applications

MOUSER STOCK NO.	KEMET Part Number	Fig.	Voltage (VAC)	Value (µF)	Tol. %	Dimensions: mm			Price Each		
						B	H	L	1	50	100
80-SMR10224J100A01L4	SMR10224J100A01L4	B	100	0.22	4.0	9.0	13.0	5	1.25	1.02	.96
80-SMW7.3473K250K95T	SMW7.3473K250K95TR12	D	250	0.047	6.0	3.2	--	10	.62	.493	.429

