

KEMET Film Capacitors

The Capacitance Company
KEMET
CHARGED!

RoHS Compliant This product is RoHS compliant.

RADIAL METALLIZED POLYPROPYLENE FILM CAPACITORS

General Technical Data:

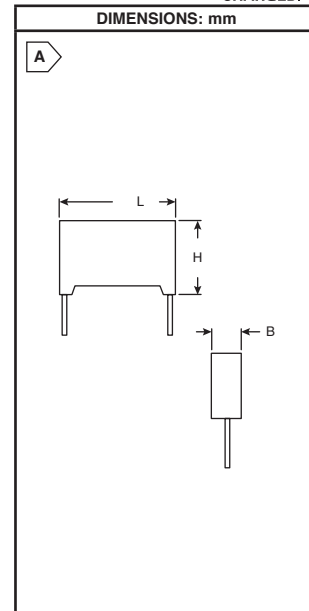
- Non-inductive type
- Operating temperature range: -40°C to +110°C

Typical Applications:

Interference suppression and across the line applications. Suitable for use in situations where failure of the capacitor could lead to danger of electrical shock.

For quantities greater than listed, call for quote.

MOUSER STOCK NO.	KEMET Part No.	Fig	Value (µF)	Tolerance	Class	Dimensions: mm			Price Each		
						L	H	B	1	50	100
R41 Series											
300V											
80-R413F12200000M	R413F12200000M	A	0.0022	20%	Y2	13.0	9.0	4.0	.44	.25	.202
80-R413F13300000M	R413F13300000M	A	0.0033	20%	Y2	13.0	11.0	5.0	.48	.28	.225
80-R413F147000M1M	R413F147000M1M	A	0.0047	20%	Y2	13.0	11.0	5.0	.52	.30	.243
80-R413F11000000M	R413F11000000M	A	0.001	20%	Y2	13.0	9.0	4.0	.43	.25	.201
80-R413I22000000M	R413I22000000M	A	0.022	20%	Y2	18.0	13.5	7.5	.71	.43	.36
80-R413I21000000M	R413I21000000M	A	0.01	20%	Y2	13.0	11.0	5.0	.48	.27	.221
R46 Series											
275V											
80-R46KI22200001K1	R46KI22200001K1	A	0.022	10%	X2	18.0	11.0	5.0	.56	.35	.26
80-R46KI322000M2M	R46KI322000M2M	A	0.22	20%	X2	18.0	13.5	7.5	.58	.40	.27
80-R46KN322000M1M	R46KN322000M1M	A	0.22	20%	X2	26.5	15.0	6.0	.67	.45	.31
80-R46KI333000N1M	R46KI333000N1M	A	0.33	20%	X2	18.0	13.5	7.5	.63	.43	.32
80-R46KI333000M1M	R46KI333000M1M	A	0.33	20%	X2	18.0	16.0	10.0	.54	.49	.41
80-R46KI347000N0M	R46KI347000N0M	A	0.47	20%	X2	18.0	16.0	10.0	.72	.50	.36
80-R46KN347000N0M	R46KN347000N0M	A	0.47	20%	X2	26.5	16.0	7.0	.92	.65	.50
80-R46KN347000M1K	R46KN347000M1K	A	0.47	10%	X2	18.0	19.0	11.0	1.36	.92	.68
80-R46KN41000N2M	R46KN41000N2M	A	1	20%	X2	26.5	18.5	10.0	.91	.65	.49
80-R46KR41000M1K	R46KR41000M1K	A	1	10%	X2	32.0	20.0	11.0	1.47	1.13	.87
80-R46KR41500M1K	R46KR41500M1K	A	1.5	10%	X2	32.0	22.0	13.0	1.46	1.10	.86
80-R46KR42200M2K	R46KR42200M2K	A	2.2	10%	X2	32.0	25.0	13.0	1.82	1.40	1.07
80-R46KR422050M1M	R46KR422050M1M	A	2.205	20%	X2	32.0	28.0	14.0	2.58	1.88	1.61



RADIAL METALLIZED POLYESTER FILM CAPACITORS

General Technical Data:

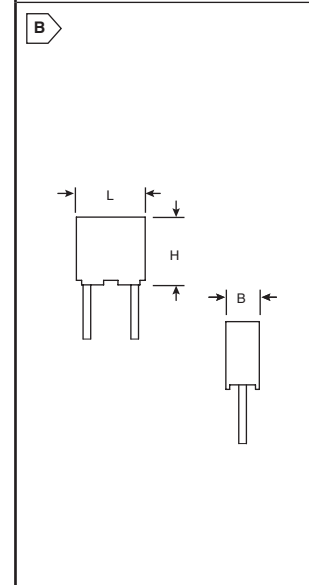
- Non-inductive type
- Operating temperature range: -55°C to +105°C

Typical Applications:

By-passing, blocking, coupling, decoupling, timing, oscillator circuits.

For quantities greater than listed, call for quote.

MOUSER STOCK NO.	KEMET Part No.	Fig	Value (µF)	Tolerance	Dimensions: mm			Price Each			
					L	H	B	1	50	100	
R82 Series											
50V											
80-R82CC4220370J	R82CC4220370J	B	2.2	5%	7.2	11.0	6.0	2.06	1.90	1.54	
63V											
80-R82DC3100AA50J	R82DC3100AA50J	B	0.1	5%	7.2	6.5	2.5	.35	.30	.25	
80-R82DC3100DQ50J	R82DC3100DQ50J	B	0.1	5%	7.2	6.5	2.5	.25	.22	.18	
80-R82DC4100CK60J	R82DC4100CK60J	B	0.1	5%	7.2	10.0	5.0	.43	.39	.35	
80-R82DC3100AA50K	R82DC3100AA50K	B	0.1	10%	7.2	6.5	2.5	.22	.20	.16	
80-R82DC3220AA60J	R82DC3220AA60J	B	0.22	5%	7.2	6.5	2.5	.26	.24	.203	
80-R82DC3220DQ60J	R82DC3220DQ60J	B	0.22	5%	7.2	6.5	2.5	.37	.21	.145	
80-R82DC3220Z360J	R82DC3220Z360J	B	0.22	5%	7.2	6.5	2.5	.34	.29	.25	
80-R82DC3470AA60J	R82DC3470AA60J	B	0.47	5%	7.2	7.5	3.5	.37	.29	.26	
80-R82DC3470DQ60J	R82DC3470DQ60J	B	0.47	5%	7.2	7.5	3.5	.18	.17	.16	
80-R82DC4100DQ60J	R82DC4100DQ60J	B	1	5%	7.2	10.0	5.0	.60	.49	.43	
100V											
80-R82EC1470DQ50J	R82EC1470DQ50J	B	0.0047	5%	7.2	6.5	2.5	.24	.21	.182	
80-R82EC1470Z350J	R82EC1470Z350J	B	0.0047	5%	7.2	6.5	2.5	.38	.34	.28	
80-R82EC1100DQ50J	R82EC1100DQ50J	B	0.001	5%	7.2	6.5	2.5	.25	.22	.18	
80-R82EC2220DQ50J	R82EC2220DQ50J	B	0.022	5%	7.2	6.5	2.5	.25	.236	.191	
80-R82EC2470DQ60J	R82EC2470DQ60J	B	0.047	5%	7.2	6.5	2.5	.25	.237	.193	
80-R82EC2100AA50J	R82EC2100AA50J	B	0.01	5%	7.2	6.5	2.5	.28	.152	.109	
80-R82EC2100DQ50J	R82EC2100DQ50J	B	0.01	5%	7.2	6.5	2.5	.21	.198	.161	
80-R82EC3100DQ70J	R82EC3100DQ70J	B	0.1	5%	7.2	6.5	2.5	.32	.16	.124	
80-R82EC3220DQ70J	R82EC3220DQ70J	B	0.22	5%	7.2	7.5	3.5	.35	.28	.224	
80-R82EC3470DQ70J	R82EC3470DQ70J	B	0.47	5%	7.2	9.5	4.5	.53	.43	.38	
80-R82EC4100DQ70J	R82EC4100DQ70J	B	1	5%	7.2	11.0	6.0	.96	.89	.72	
80-R82EC4100Z370J	R82EC4100Z370J	B	1	5%	7.2	11.0	6.0	1.17	1.08	.88	
250V											
80-R82IC3100DQ60J	R82IC3100DQ60J	B	0.1	5%	7.2	9.5	4.5	.41	.30	.236	



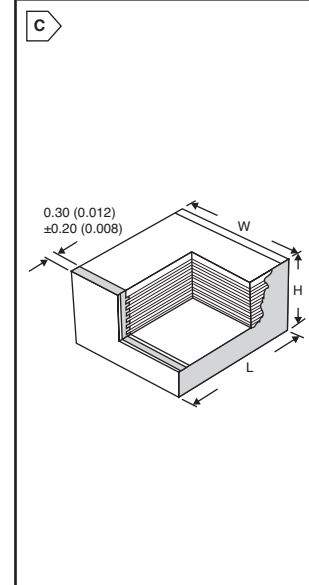
SMD LDE SERIES PEN FILM CAPACITORS

General Technical Data:

- Non-inductive - Stacked technology
- Operating temperature range: -55°C to +105°C

For quantities greater than listed, call for quote.

MOUSER STOCK NO.	KEMET Part No.	Fig	Value (µF)	Dimensions: mm			Price Each			
				L	W	H	1	50	100	500
50V										
80-LDECB3100KA0N00	LDECB3100KA0N00	C	0.1	3.2	2.5	2.1	1.00	.91	.74	.60
80-LDECD3470KA5N00	LDECD3470KA5N00	C	0.47	5.7	5.1	2.4	1.41	1.22	1.13	.93
80-LDECD4100KA0N00	LDECD4100KA0N00	C	1	5.7	5.1	4.4	1.87	1.72	1.65	1.37
63V										
80-LDEDC3100KA5N00	LDEDC3100KA5N00	C	0.1	4.5	3.2	2.4	.96	.90	.71	.58
100V										
80-LDEEC3100KA5N00	LDEEC3100KA5N00	C	0.1	4.5	3.2	2.4	.96	.90	.71	.58
250V										
80-LDEID3100KA0N00	LDEID3100KA0N00	C	0.1	5.7	5.1	4.1	1.38	1.20	1.11	.91
630V										
80-LDEPD2100KA5N00	LDEPD2100KA5N00	C	0.1	5.7	5.1	3.0	1.16	1.00	.86	.70



KEMET Film Capacitors