

EPCOS Film Capacitors

RoHS Compliant This product is RoHS compliant.



PHASECAP® COMPACT SERIES

Features:

- Concentric winding
- MKK-technology
- Wavy cut and heavy edge
- Compact design
- Cylindrical aluminum can with stud
- Very high life expectancy
- High inrush current withstand ability and high overcurrent capability
- Self healing
- Overpressure disconnecter
- Touch proof terminals
- Discharge device



FEIDA MOTOR RUN CAPACITORS CBB66 - SINGLE CAPACITOR P2 ALUMINUM CAN OVAL

The EPCOS Feida Motor Run Capacitors are constructed of polypropylene film (dielectric), metallized film (electrode), with an aluminum can and metal top. Filled with PCB-free vegetable oil, the insulator material meets IEC 60335-1. The EPCOS Feida Motor Run Capacitors feature self-healing properties, a low dissipation factor, an overpressure disconnection device, and high insulation resistance. The Motor Run Capacitors meet the highest safety level P2 to IEC 60252-1 2001-02 and is IEC/EN 60335 compatible. For general sine wave applications, mainly as motor run capacitors.

Features:

- Safety Devices: Self-healing properties; Overpressure disconnecter
- Low dissipation factor
- Highest safety level P2 to IEC 60252-1 2001-02
- Tolerance: ±5%
- Lead Spacing (mm): 20
- High insulation resistance
- IEC/EN 60335 compatible
- Metal can, metal top, oval shape
- Voltage range: 250 - 450VAC
- Capacitance range: 3 - 50µF
- Temperature: -40°C to +85°C
- Low losses
- RoHS Compatible to directive 202/95/EC

Typical Applications:

- For general sine wave applications, mainly as motor run capacitor

Main Applications:

- General purpose
- Air conditioning
- Household appliances

Terminals:

- 4+4 fast-on terminal #250 style

Maximum Ratings:

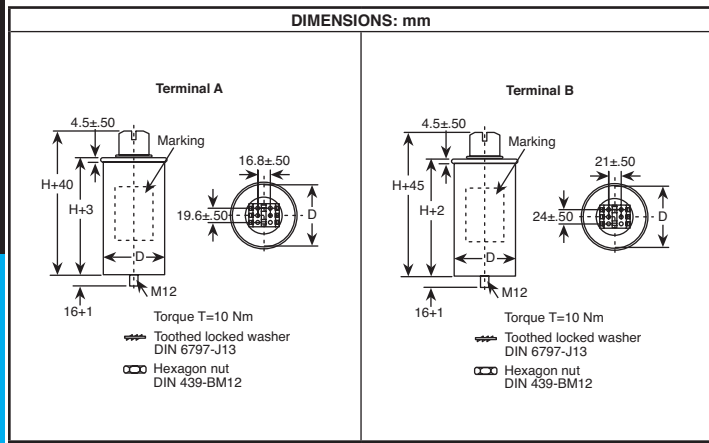
- Maximum permissible voltage V_{max} : $1.1 \cdot V_R$ (V_R = Rated voltage)
- Maximum permissible current I_{max} : $1.3 \cdot I_R$ (I_R = Rated current)

Climatic Data:

- Climatic category: 40/070/21

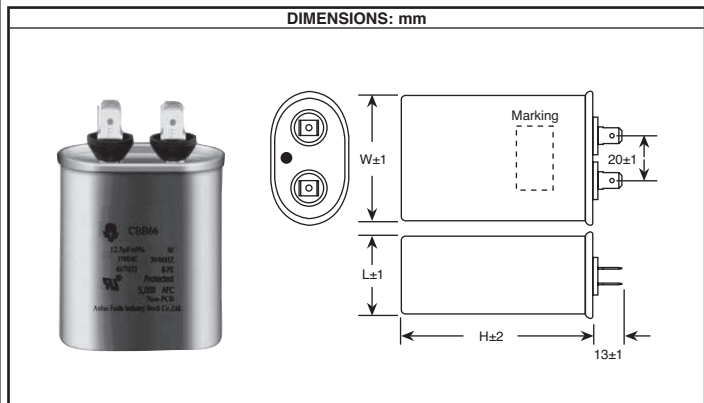
Test Data:

- AC test voltage terminal to terminal V_{TT} : $2.0 V_R$, 10s
- Insulation voltage terminals to case: 3000 V AC, 2s
- Insulation resistance R_{ins} or time constant at 20°C, rel. Humidity ≤65% (minimum as-delivered values): 10,000 MΩ µF
- Life expectancy to EIA 456 A Jan. 89: 60,000 hours at 95% survival rate
- Rated capacitance CR: 3 - 50µF
- Rated voltage V_R : 250 / 370 / 400 / 450VAC
- Rated frequency f_R : 50/60 Hz
- Maximum rate of voltage rise dV/dt_{max} : 10 V/µs



For quantities greater than listed, call for quote.

MOUSER STOCK NO.	Type	Capacitance in µF	D x H mm	Terminal Type	Price Each		
					1	2	5
Rated Voltage 230 V							
871-B25673A2052A040	MKK230-D-5-02	100.3	85x200	A	217.61	167.39	152.17
871-B25673A2072A540	MKK230-D-7.5-02	150.5	100x200	B	241.50	185.77	168.88
871-B25673A2102A040	MKK230-D-10-02	200.7	116x200	B	301.24	231.72	210.65
871-B25673A2122A540	MKK230-D-12.5-02	250.8	116x200	B	334.52	257.32	233.93
Rated Voltage 400 V							
871-B25673A4052A000	MKK400-D-5-02	33.2	85x125	A	162.58	125.06	113.69
871-B25673A4072A500	MKK400-D-7.5-02	49.9	85x162	A	176.64	135.88	123.53
871-B25673A4102A000	MKK400-D-10-02	66.3	85x162	A	188.59	145.07	131.88
871-B25673A4122A500	MKK400-D-12.5-02	82.9	100x162	B	198.39	152.61	138.74
871-B25673A4152A000	MKK400-D-15-02	99.5	100x162	B	217.61	167.39	152.17
871-B25673A4201A000	MKK400-D-20-02	132.7	100x200	B	282.04	216.95	197.23
871-B25673A4252A000	MKK400-D-25-02	165.9	116x200	B	293.98	226.14	205.58
Rated Voltage 415 V							
871-B25673A4102A010	MKK415-D-10-04-02	64.1	100x162	B	188.59	145.07	131.88
871-B25673A4122A510	MKK415-D-12.5-02	77.0	100x200	B	207.79	159.84	145.31
871-B25673A4152A010	MKK415-D-15-02	92.5	100x200	B	236.38	181.83	165.30
871-B25673A4202A810	MKK415-D-20-02	128.2	116x200	B	289.29	222.53	202.30
871-B25673A4282A140	MKK415-D-25-02	154.0	136x200	B	305.93	235.33	213.94
Rated Voltage 440 V							
871-B25673A4052A040	MKK440-D-5-02	27.4	85x125	A	162.58	125.06	113.69
871-B25673A4072A540	MKK440-D-7.5-02	41.1	85x162	A	176.64	135.88	123.53
871-B25673A4102A040	MKK440-D-10-02	57.0	100x162	B	188.59	145.07	131.88
871-B25673A4122A540	MKK440-D-12.5-02	68.5	100x162	B	205.65	158.19	143.81
871-B25673A4152A040	MKK440-D-15-02	82.2	100x200	B	238.94	183.80	167.09
871-B25673A4202A080	MKK440-D-16.7-02	92.0	116x200	B	267.53	205.79	187.08
871-B25673A4202A040	MKK440-D-20-02	109.7	116x200	B	284.17	218.59	198.72
871-B25673A4252A040	MKK440-D-25-02	137.1	116x200	B	296.13	227.79	207.08
871-B25673A4282A140	MKK440-D-28-02	154.0	136x200	B	305.93	235.33	213.94
871-B25673A4302A040	MKK440-D-30-02	164.0	136x200	B	331.94	255.34	232.13
871-B25673A4332A040	MKK440-D-33-02	181.0	136x200	B	351.16	270.12	245.56
Rated Voltage 480 V							
871-B25673A4062A380	MKK480-D-6.3-02	29.0	85x162	A	169.83	130.64	118.76
871-B25673A5102A020	MKK480-D-8.3-02	38.5	100x162	B	186.46	143.43	130.39
871-B25673A5122A520	MKK480-D-10-02	48.1	100x200	B	191.15	147.04	133.67
871-B25673A4122A580	MKK480-D-12.5-02	58.0	100x200	B	198.39	152.61	138.74
871-B25673A4152A080	MKK480-D-15-02	69.1	100x200	B	205.65	158.19	143.81
871-B25673A5202A020	MKK480-D-16.7-02	77.0	116x200	B	265.40	204.15	185.59
871-B25673A4202A080	MKK480-D-20-02	92.0	100x200	B	267.53	205.79	187.08
871-B25673A4252A080	MKK480-D-25-02	115.0	136x200	B	296.13	227.79	207.08
871-B25673A4282A080	MKK480-D28-02	129.0	136x200	B	305.93	235.33	213.94
871-B25673A4302A080	MKK480-D-30-02	138.0	136x200	B	331.94	255.34	232.13
Rated Voltage 525 V							
871-B25673A5082A320	MKK525-D-8.3-02	32.0	100x162	B	164.70	126.69	115.17
871-B25673A5102A020	MKK525-D-10-02	38.5	100x162	B	186.46	143.43	130.39
871-B25673A5122A520	MKK525-D-12.5-02	48.1	100x200	B	191.15	147.04	133.67
871-B25673A5152A020	MKK525-D-15-02	57.8	100x200	B	200.54	154.26	140.24
871-B25673A5162A720	MKK525-D-16.7-02	64.3	116x200	B	234.25	180.19	163.81
871-B25673A5202A020	MKK525-D-20-02	77.0	116x200	B	265.40	204.15	185.59
871-B25673A5252A020	MKK525-D-25-02	96.0	136x200	B	298.69	229.76	208.87
871-B25673A5302A020	MKK525-D-30-02	115.0	136x200	B	334.52	257.32	233.93



For quantities greater than listed, call for quote.

MOUSER STOCK NO.	Value (µF)	Voltage (VAC)	Max. Dimensions: mm			Price Each			
			W	H	L	1	30	60	120
871-B33364A3305J050	3	370	51.5	55	31.5	4.98	3.83	3.48	3.16
871-B33364A3405J050	4	370	51.5	55	31.5	5.10	3.92	3.56	3.24
871-B33364A3505J050	5	370	51.5	55	31.5	5.19	3.99	3.63	3.30
871-B33364A3605J050	6	370	51.5	55	31.5	5.54	4.26	3.87	3.52
871-B33364A3755J050	7	370	51.5	55	31.5	5.67	4.36	3.96	3.60
871-B33364A3805J050	8	370	51.5	55	31.5	5.80	4.46	4.05	3.68
871-B33364A3106J050	10	370	51.5	65	31.5	6.40	4.92	4.47	4.06
871-B33364A3126J550	12	370	51.5	65	31.5	7.05	5.42	4.93	4.48
871-B33364A3156J050	15	370	51.5	75	31.5	8.31	6.39	5.81	5.28
871-B33364A3206J050	20	370	70.0	65	45.0	9.82	7.55	6.86	6.24
871-B33364A3256J050	25	370	70.0	65	45.0	10.83	8.33	7.95	6.88
871-B33364A3306J050	30	370	70.0	75	45.0	13.00	10.00	9.54	8.26
871-B33364A3356J050	35	370	70.0	75	45.0	13.74	10.57	10.05	8.74
871-B33364A3406J050	40	370	70.0	85	45.0	14.85	11.42	10.94	9.44
871-B33364A3456J050	45	370	70.0	100	45.0	16.35	12.58	11.44	10.40
871-B33364A3506J050	50	370	70.0	100	45.0	18.72	14.40	13.91	11.90
871-B33364A5305J050	3	440	51.5	55	31.5	6.16	4.74	4.31	3.92
871-B33364A5405J050	4	440	51.5	55	31.5	7.05	5.42	4.93	4.48
871-B33364A5505J050	5	440	51.5	55	31.5	13.85	10.65	9.68	8.80
871-B33364A5605J050	6	440	51.5	55	31.5	16.35	12.58	11.44	10.40
871-B33364A5755J050	7	440	51.5	55	31.5	18.56	14.28	12.98	11.80
871-B33364A5805J050	8	440	51.5	55	31.5	20.45	15.73	14.30	13.00
871-B33364A5106J050	10	440	51.5	65	31.5	11.19	8.61	7.83	7.12
871-B33364A5126J550	12	440	51.5	65	31.5	12.58	9.68	8.80	8.00
871-B33364A5206J050	20	440	70.0	65	45.0	8.50	8.35	8.23	6.71
871-B33364A5256J050	25	440	70.0	65	45.0	9.60	9.45	9.39	7.65
871-B33364A5306J050	30	440	70.0	75	45.0	10.65	10.45	10.30	8.40
871-B33364A5356J050	35	440	70.0	75	45.0	11.60	11.40	11.21	9.13
871-B33364A5406J050	40	440	70.0	85	45.0	12.50	12.30	12.12	9.88
871-B33364A5456J050	45	440	70.0	100	45.0	13.95	13.80	13.76	11.21
871-B33364A5506J050	50	440	70.0	100	45.0	15.50	15.30	15.16	12.36