

EPCOS Power Inductors



This product is RoHS compliant.

EPCOS

SMD Series B82554

- Enamel Copper Flat Wire Winding
- High Current Rating
- Magnetically Shielded Ferrite Core
- Low DC Resistance

For quantities of 250 and up, call for quote.

MOUSER STOCK NO.	Epcos Part No.	Fig.	L (µH)	Idc (A)	Price Each			
					1	10	25	100
871-B82559A112A13	B82559A112A13	A	1.1	20				
871-B82559A222A13	B82559A222A13	A	2.2	15				
871-B82559A302A13	B82559A302A13	A	3	13				
871-B82559A501A13	B82559A501A13	A	0.5	30				
871-B82559A142A13	B82559A142A13	A	1.4	22				
871-B82559A242A13	B82559A242A13	A	2.4	16.5				
871-B82559A392A13	B82559A392A13	A	3.9	12				
871-B82559A951A13	B82559A951A13	A	0.95	25				

SMD Series B82462-G4

- Enamel Copper Wire Winding Welded to Terminals
- Magnetically Shielded Ferrite Core

- Size: 6mm by 6mm
- Wide Temp Range
- High Current Rating
- Low DC Resistance

For quantities of 250 and up, call for quote.

MOUSER STOCK NO.	Epcos Part No.	Fig.	L (µH)	Idc (A)	Price Each			
					1	10	25	100
871-B82462G4102M	B82462G4102M	B	1	3.4				
871-B82462G4103M	B82462G4103M	B	10	1.5				
871-B82462G4104M	B82462G4104M	B	100	0.53				
871-B82462G4222M	B82462G4222M	B	2.2	2.55				
871-B82462G4223M	B82462G4223M	B	2.2	1.05				
871-B82462G4224M	B82462G4224M	B	220	0.35				
871-B82462G4333M	B82462G4333M	B	33	0.85				
871-B82462G4334M	B82462G4334M	B	330	0.27				

SMD Series B82464-A4

- Enamel Copper Wire Winding Welded to Terminals
- Ferrite Core

- Size: 10mm by 10mm
- Wide Temp Range
- Very High Current Rating
- Low DC Resistance

For quantities of 250 and up, call for quote.

MOUSER STOCK NO.	Epcos Part No.	Fig.	L (µH)	Idc (A)	Price Each			
					1	10	25	100
871-B82464A4224K	B82464A4224K	C	220	0.8				
871-B82464A4334K	B82464A4334K	C	330	0.6				
871-B82464G4102M	B82464G4102M	C	1	7.5				
871-B82464G4103M	B82464G4103M	C	10	2.5				
871-B82464G4104M	B82464G4104M	C	100	1				
871-B82464G4105M	B82464G4105M	C	1000	0.3				

SMD Series B82471

- Enamel Copper Wire Winding Welded to Terminals

- Ferrite Core
- Size: 6mm by 6mm
- High Current Rating
- Low DC Resistance

For quantities of 250 and up, call for quote.

MOUSER STOCK NO.	Epcos Part No.	Fig.	L (µH)	Idc (A)	Price Each			
					1	10	25	100
871-B82471A1103M	B82471A1103M	D	10	1.44				
871-B82471A1104K	B82471A1104K	D	100	0.52				
871-B82471A1224K	B82471A1224K	D	220	0.35				

SMD Series B82472-G4

- Enamel Copper Wire Winding
- Soldered to Terminals
- Magnetically Shielded Ferrite Core

- Plastic Terminal Carrier
- Size: 7mm by 7mm
- Wide Temp Range
- Very High Current Rating
- Low DC Resistance

For quantities of 250 and up, call for quote.

MOUSER STOCK NO.	Epcos Part No.	Fig.	L (µH)	Idc (A)	Price Each			
					1	10	25	100
871-B82472G4102M	B82472G4102M	E	1	2.9				
871-B82472G4103M	B82472G4103M	E	10	1.34				
871-B82472G4104M	B82472G4104M	E	100	0.45				
871-B82472G4224M	B82472G4224M	E	220	0.3				
871-B82472G4473M	B82472G4473M	E	47	0.65				
871-B82472G6102M	B82472G6102M	E	1	3.6				
871-B82472G6103M	B82472G6103M	E	10	1.9				
871-B82472G6104M	B82472G6104M	E	100	0.67				
871-B82472G6105M	B82472G6105M	E	1000	0.2				

SMD Series B82473

- Enamel Copper Wire Winding Soldered to Terminals
- Ferrite Core

- Plastic Core
- Size: 7mm by 7mm
- High Current Rating
- Low DC Resistance

For quantities of 250 and up, call for quote.

MOUSER STOCK NO.	Epcos Part No.	Fig.	L (µH)	Idc (A)	Price Each			
					1	10	25	100
871-B82473A1103K	B82473A1103K	F	10	2.3				
871-B82473A1104K	B82473A1104K	F	100	0.72				
871-B82473A1223K	B82473A1223K	F	22	1.5				
871-B82473A1224K	B82473A1224K	F	220	0.49				
871-B82473A1474K	B82473A1474K	F	470	0.34				

SMD Series B82475

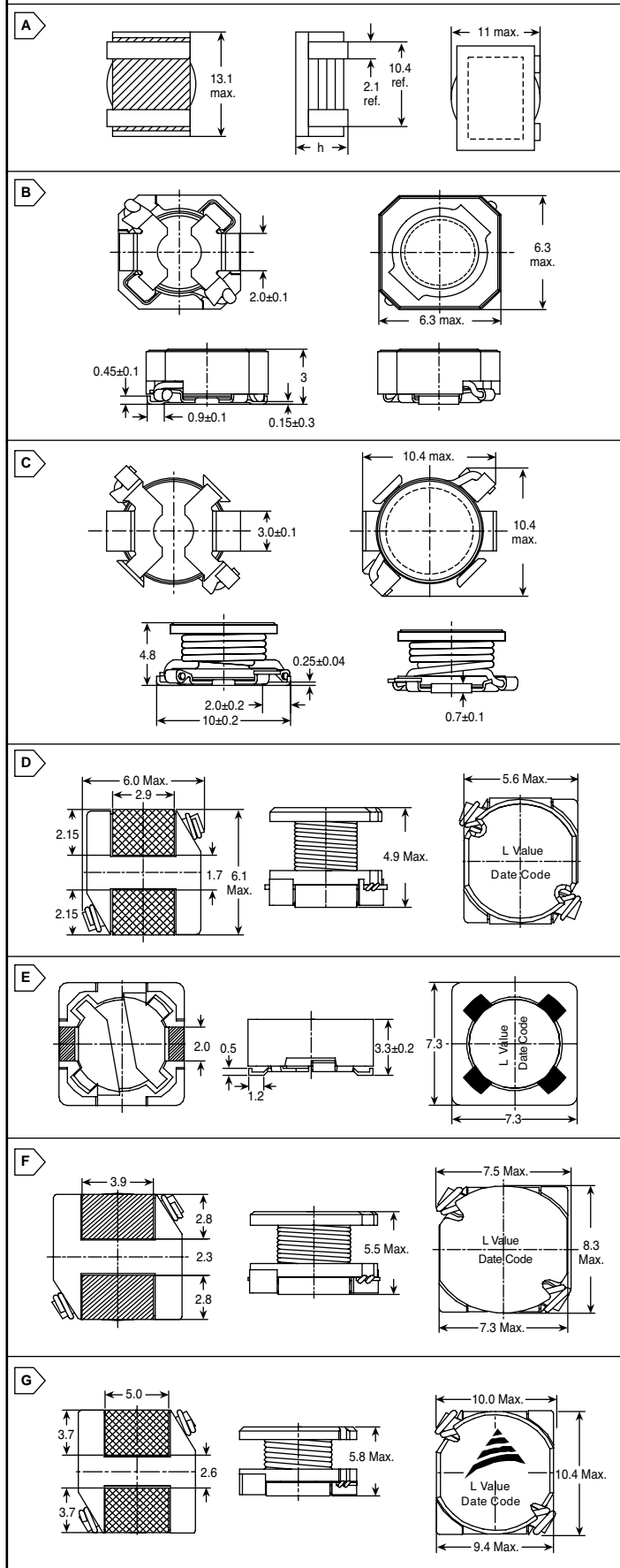
- Enamel Copper Wire Winding Soldered to Terminals
- Ferrite Core

- Plastic Terminal Carrier
- Size: 10mm by 10mm
- High Current Rating
- Low DC Resistance

For quantities of 250 and up, call for quote.

MOUSER STOCK NO.	Epcos Part No.	Fig.	L (µH)	Idc (A)	Price Each			
					1	10	25	100
871-B82475A1103M	B82475A1103M	G	10	2.6				
871-B82475A1104K	B82475A1104K	G	100	0.97				
871-B82475A1224K	B82475A1224K	G	220	0.66				
871-B82475A1334K	B82475A1334K	G	330	0.52				
871-B82475A1473K	B82475A1473K	G	47	1.28				
871-B82475A1474K	B82475A1474K	G	470	0.42				
871-B82475A1684K	B82475A1684K	G	680	0.28				

DIMENSIONS: mm



Inductors

Epcos