

# COILTRONICS® Uni-Pac™ SMT Power Inductors



RoHS Compliant This product is RoHS compliant.

**Features:**

- Miniature surface mount design
- Inductance range from 0.470uH to 1000uH
- Current range from 19.2 to .47 Amps
- Maximum power density
- Ideal for applications requiring low inductance and high current in a miniature package

**Applications:**

- DC-DC converters on board level and industrial products

**Environmental Data:**

- Storage temperature range: -40°C to +125°C
- Operating ambient temperature range: -40°C to +85°C
- Solder reflow temperature: +260°C max. for 10 seconds max.

**Packaging:**

- Supplied in tape and reel packaging, 900 (UP1B), 550 (UP2B), 450 (UP3B), and 275 (UP4B) per reel

**UP1B SERIES**

For quantities of 900 and up, call for quote.

MOUSER STOCK NO.	Coiltronics Part No.	Fig.	Value (µH)	Open Circuit Value (µH)	Irms (A)	Isat (A)	DCR (Ω) Max.	Price Each			
								1	50	100	500
704-UP1B-R47-R	UP1B-R47-R	A	0.47	0.569	6.0	7.7	0.0097				
704-UP1B-1R0-R	UP1B-1R0-R	A	1.0	1.20	4.4	5.3	0.0177				
704-UP1B-1R5-R	UP1B-1R5-R	A	1.5	1.61	4.2	4.5	0.020				
704-UP1B-2R2-R	UP1B-2R2-R	A	2.2	2.62	3.1	3.5	0.0363				
704-UP1B-3R3-R	UP1B-3R3-R	A	3.3	3.79	2.9	3.0	0.0428				
704-UP1B-4R7-R	UP1B-4R7-R	A	4.7	5.15	2.2	2.6	0.0544				
704-UP1B-6R8-R	UP1B-6R8-R	A	6.8	6.87	1.7	2.2	0.0897				
704-UP1B-100-R	UP1B-100-R	A	10	11.0	1.5	1.9	0.1107				
704-UP1B-150-R	UP1B-150-R	A	15	16.0	1.2	1.5	0.1747				
704-UP1B-220-R	UP1B-220-R	A	22	23.5	1.0	1.2	0.2541				
704-UP1B-330-R	UP1B-330-R	A	33	36.0	0.82	0.99	0.367				
704-UP1B-470-R	UP1B-470-R	A	47	48.5	0.72	0.87	0.474				
704-UP1B-680-R	UP1B-680-R	A	68	73.52	0.58	0.67	0.732				
704-UP1B-101-R	UP1B-101-R	A	100	112.67	0.47	0.53	1.11				
704-UP1B-151-R	UP1B-151-R	A	150	152.4	0.40	0.46	1.61				
704-UP1B-221-R	UP1B-221-R	A	220	223.1	0.36	0.38	1.96				
704-UP1B-331-R	UP1B-331-R	A	330	331.9	0.28	0.31	3.10				

**UP2B SERIES**

For quantities of 550 and up, call for quote.

MOUSER STOCK NO.	Coiltronics Part No.	Fig.	Value (µH)	Open Circuit Value (µH)	Irms (A)	Isat (A)	DCR (Ω) Max.	Price Each			
								1	55	110	220
704-UP2B-R47-R	UP2B-R47-R	B	0.47	0.595	10.6	11.4	0.0049				
704-UP2B-1R0-R	UP2B-1R0-R	B	1.0	1.0	9.3	9.9	0.0065				
704-UP2B-1R5-R	UP2B-1R5-R	B	1.5	1.46	8.3	7.9	0.0081				
704-UP2B-2R2-R	UP2B-2R2-R	B	2.2	2.56	7.2	6.1	0.0107				
704-UP2B-3R3-R	UP2B-3R3-R	B	3.3	3.23	6.5	5.1	0.0128				
704-UP2B-4R7-R	UP2B-4R7-R	B	4.7	4.77	5.5	4.2	0.0165				
704-UP2B-6R8-R	UP2B-6R8-R	B	6.8	6.63	5.0	3.6	0.0202				
704-UP2B-100-R	UP2B-100-R	B	10	9.73	4.3	3.3	0.0267				
704-UP2B-150-R	UP2B-150-R	B	15	15.43	3.5	2.4	0.041				
704-UP2B-220-R	UP2B-220-R	B	22	22.5	2.8	2.0	0.0617				
704-UP2B-330-R	UP2B-330-R	B	33	33.13	2.1	1.7	0.0917				
704-UP2B-470-R	UP2B-470-R	B	47	48.65	1.7	1.4	0.1388				
704-UP2B-680-R	UP2B-680-R	B	68	68.17	1.5	1.2	0.1787				
704-UP2B-820-R	UP2B-820-R	B	82	84.1	1.34	1.03	0.2235				
704-UP2B-101-R	UP2B-101-R	B	100	102.6	1.2	0.95	0.2707				
704-UP2B-151-R	UP2B-151-R	B	150	150	1.0	0.77	0.41				
704-UP2B-221-R	UP2B-221-R	B	220	223	0.773	0.637	0.6717				
704-UP2B-331-R	UP2B-331-R	B	330	338	0.676	0.510	0.8783				
704-UP2B-471-R	UP2B-471-R	B	470	471	0.553	0.427	1.31				
704-UP2B-681-R	UP2B-681-R	B	680	700	0.452	0.355	1.97				
704-UP2B-821-R	UP2B-821-R	B	820	823	0.423	0.334	2.24				
704-UP2B-102-R	UP2B-102-R	B	1000	1005	0.369	0.300	2.96				

**UP3B SERIES**

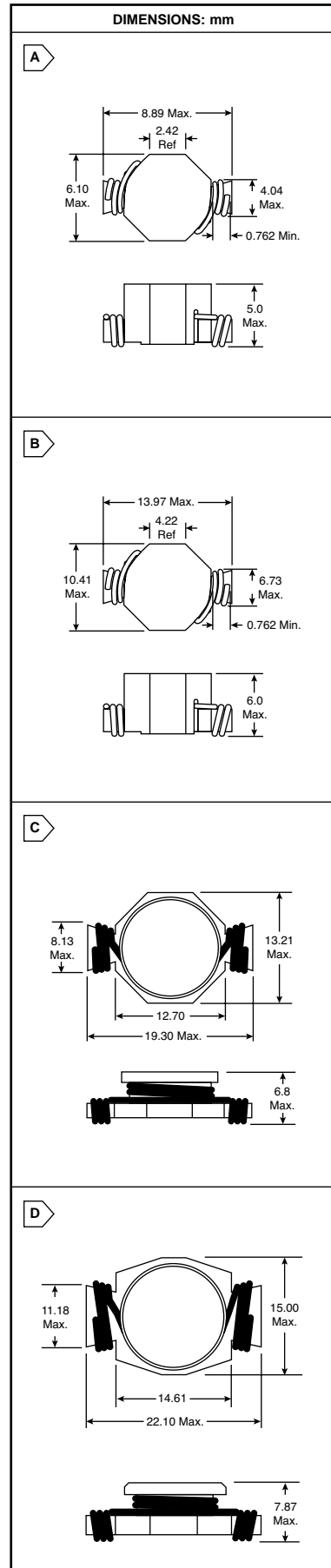
For quantities of 450 and up, call for quote.

MOUSER STOCK NO.	Coiltronics Part No.	Fig.	Value (µH)	Open Circuit Value (µH)	Irms (A)	Isat (A)	DCR (Ω) Max.	Price Each			
								1	25	50	100
704-UP3B-R47-R	UP3B-R47-R	C	0.47	0.452	16	25.1	0.0021				
704-UP3B-1R0-R	UP3B-1R0-R	C	1.0	1.34	12.5	15.3	0.0034				
704-UP3B-1R5-R	UP3B-1R5-R	C	1.5	2.08	10	12	0.0053				
704-UP3B-2R2-R	UP3B-2R2-R	C	2.2	3.01	9.2	10.2	0.0074				
704-UP3B-3R3-R	UP3B-3R3-R	C	3.3	3.96	8.0	9.3	0.0083				
704-UP3B-4R7-R	UP3B-4R7-R	C	4.7	5.0	6.5	7.7	0.0114				
704-UP3B-6R8-R	UP3B-6R8-R	C	6.8	7.7	5.8	6.2	0.0183				
704-UP3B-100-R	UP3B-100-R	C	10	11.0	4.3	5.2	0.026				
704-UP3B-150-R	UP3B-150-R	C	15	16.38	3.9	4.3	0.0317				
704-UP3B-220-R	UP3B-220-R	C	22	23.93	3.1	3.7	0.049				
704-UP3B-330-R	UP3B-330-R	C	33	33.85	2.4	3.0	0.0688				
704-UP3B-470-R	UP3B-470-R	C	47	51	1.9	2.4	0.1082				
704-UP3B-680-R	UP3B-680-R	C	68	69.5	1.6	2.0	0.1558				
704-UP3B-101-R	UP3B-101-R	C	100	101.4	1.4	1.8	0.2053				
704-UP3B-151-R	UP3B-151-R	C	150	152.9	1.2	1.4	0.296				
704-UP3B-331-R	UP3B-331-R	C	330	332.8	0.75	0.98	0.733				

**UP4B SERIES**

For quantities of 275 and up, call for quote.

MOUSER STOCK NO.	Coiltronics Part No.	Fig.	Value (µH)	Open Circuit Value (µH)	Irms (A)	Isat (A)	DCR (Ω) Max.	Price Each			
								1	25	50	130
704-UP4B-R47-R	UP4B-R47-R	D	0.47	0.473	19.2	51.7	0.0019				
704-UP4B-1R0-R	UP4B-1R0-R	D	1.0	0.916	17.3	37.3	0.0023				
704-UP4B-1R5-R	UP4B-1R5-R	D	1.5	1.52	13.4	28.9	0.0039				
704-UP4B-2R2-R	UP4B-2R2-R	D	2.2	2.27	12	23.7	0.0048				
704-UP4B-3R3-R	UP4B-3R3-R	D	3.3	3.14	11	20.2	0.0057				
704-UP4B-4R7-R	UP4B-4R7-R	D	4.7	5.34	8.6	15.6	0.0093				
704-UP4B-6R8-R	UP4B-6R8-R	D	6.8	6.66	8.3	14.1	0.01				
704-UP4B-100-R	UP4B-100-R	D	10	9.77	6.8	11.5	0.015				
704-UP4B-150-R	UP4B-150-R	D	15	15.61	5.5	9.1	0.023				
704-UP4B-220-R	UP4B-220-R	D	22	22.61	4.5	7.6	0.034				
704-UP4B-330-R	UP4B-330-R	D	33	34.3	3.7	6.1	0.052				
704-UP4B-470-R	UP4B-470-R	D	47	48.1	3.1	5.2	0.074				
704-UP4B-680-R	UP4B-680-R	D	68	69.14	2.4	4.3	0.12				
704-UP4B-101-R	UP4B-101-R	D	100	99.42	2.0	3.6	0.17				
704-UP4B-151-R	UP4B-151-R	D	150	146.9	1.7	3.0	0.2392				
704-UP4B-221-R	UP4B-221-R	D	220	221.4	1.4	2.4	0.3571				
704-UP4B-331-R	UP4B-331-R	D	330	330	1.1	2.0	0.58				
704-UP4B-471-R	UP4B-471-R	D	470	470.1	0.91	1.7	0.833				



Coiltronics Inductors

