

# COILTRONICS® Automotive Rated Shielded Power Inductors



**Features:**

- 165°C maximum total temperature operation
- Five sizes of Automotive grade shielded dual core inductors
- Inductance range from 0.28µH to 1000µH
- Current range up to 56 Amps
- Mechanical secure mounting for high shock and vibration environments
- Good thermal dispersion with thermal conductive epoxy
- Customized dual winding versions available upon request for SEPIC or Flyback configurations

**Applications:**

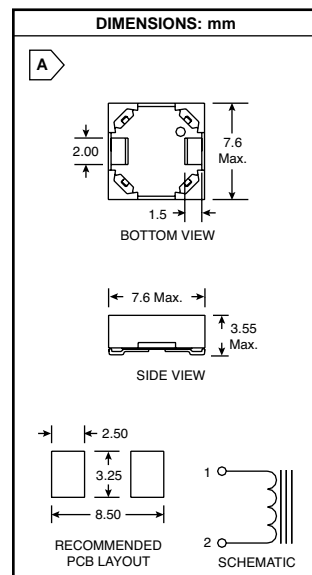
- Automotive Electronics (under the hood, interior/exterior)
- Telematics
- DC-DC converters
- Buck, boost, forward, and resonant converters
- Noise filtering and filter chokes

**Environmental Data:**

- Storage temperature range: -40°C to +165°C
- Operating ambient temperature range: -40°C to +165°C
- Solder reflow temperature: +260°C max. for 10 seconds max.
- Complies with AEC-Q200 standard

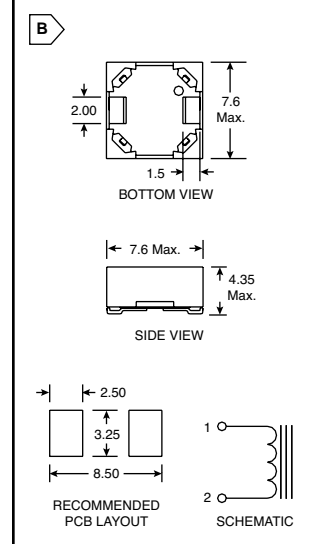
**DRA73 SERIES**

MOUSER STOCK NO.	Coiltronics Part No.	Fig.	Rated Inductance (µH)	Open Circuit Inductance (µH)	Irms (A)	Isat (A)	DCR (Ω)	Price Each				Reel Qty.	Price Each
								1	50	100	500		
704-DRA73-R33-R	DRA73-R33-R	A	0.33	0.29	8.42	14.8	0.004					1350	
704-DRA73-1R0-R	DRA73-1R0-R	A	1.0	0.91	6.5	8.22	0.0067					1350	
704-DRA73-1R5-R	DRA73-1R5-R	A	1.5	1.36	5.39	6.73	0.0097					1350	
704-DRA73-2R2-R	DRA73-2R2-R	A	2.2	2.52	4.18	4.93	0.016					1350	
704-DRA73-3R3-R	DRA73-3R3-R	A	3.3	3.18	3.59	4.35	0.022					1350	
704-DRA73-4R7-R	DRA73-4R7-R	A	4.7	4.86	2.92	3.52	0.033					1350	
704-DRA73-6R8-R	DRA73-6R8-R	A	6.8	6.63	2.62	2.96	0.041					1350	
704-DRA73-8R2-R	DRA73-8R2-R	A	8.2	8.06	2.3	2.74	0.053					1350	
704-DRA73-100-R	DRA73-100-R	A	10	10.27	2.11	2.39	0.064					1350	
704-DRA73-150-R	DRA73-150-R	A	15	14.98	1.74	2.0	0.094					1350	
704-DRA73-220-R	DRA73-220-R	A	22	22.39	1.42	1.64	0.141					1350	
704-DRA73-330-R	DRA73-330-R	A	33	31.84	1.25	1.35	0.183					1350	
704-DRA73-470-R	DRA73-470-R	A	47	47.83	1.02	1.1	0.275					1350	
704-DRA73-680-R	DRA73-680-R	A	68	66.89	0.845	0.937	0.397					1350	
704-DRA73-820-R	DRA73-820-R	A	82	83.77	0.731	0.851	0.53					1350	
704-DRA73-101-R	DRA73-101-R	A	100	101.7	0.682	0.763	0.609					1350	
704-DRA73-151-R	DRA73-151-R	A	150	151.1	0.551	0.632	0.932					1350	
704-DRA73-221-R	DRA73-221-R	A	220	218.8	0.479	0.51	1.23					1350	
704-DRA73-331-R	DRA73-331-R	A	330	326.4	0.391	0.423	1.85					1350	
704-DRA73-471-R	DRA73-471-R	A	470	472.6	0.326	0.354	2.67					1350	
704-DRA73-681-R	DRA73-681-R	A	680	682.9	0.27	0.297	3.89					1350	
704-DRA73-821-R	DRA73-821-R	A	820	825.3	0.252	0.267	4.46					1350	
704-DRA73-102-R	DRA73-102-R	A	1000	991.9	0.235	0.239	5.15					1350	



**DRA74 SERIES**

MOUSER STOCK NO.	Coiltronics Part No.	Fig.	Rated Inductance (µH)	Open Circuit Inductance (µH)	Irms (A)	Isat (A)	DCR (Ω)	Price Each				Reel Qty.	Price Each
								1	50	100	500		
704-DRA74-R33-R	DRA74-R33-R	B	0.33	0.288	7.26	18.40	0.0054					1100	
704-DRA74-1R0-R	DRA74-1R0-R	B	1.0	0.897	6.01	10.22	0.0078					1100	
704-DRA74-1R5-R	DRA74-1R5-R	B	1.5	1.31	5.55	8.36	0.0092					1100	
704-DRA74-2R2-R	DRA74-2R2-R	B	2.2	2.33	4.82	6.13	0.012					1100	
704-DRA74-3R3-R	DRA74-3R3-R	B	3.3	3.05	4.16	5.41	0.016					1100	
704-DRA74-4R7-R	DRA74-4R7-R	B	4.7	4.68	3.41	4.38	0.024					1100	
704-DRA74-6R8-R	DRA74-6R8-R	B	6.8	6.51	2.91	3.68	0.034					1100	
704-DRA74-8R2-R	DRA74-8R2-R	B	8.2	8.51	2.66	3.17	0.040					1100	
704-DRA74-100-R	DRA74-100-R	B	10.0	9.62	2.56	2.97	0.043					1100	
704-DRA74-150-R	DRA74-150-R	B	15.0	15.14	2.06	2.36	0.067					1100	
704-DRA74-220-R	DRA74-220-R	B	22.0	22.25	1.68	1.96	0.100					1100	
704-DRA74-330-R	DRA74-330-R	B	33.0	33.21	1.37	1.61	0.151					1100	
704-DRA74-470-R	DRA74-470-R	B	47.0	46.56	1.14	1.37	0.219					1100	
704-DRA74-680-R	DRA74-680-R	B	68.0	68.37	0.996	1.108	0.286					1100	
704-DRA74-820-R	DRA74-820-R	B	82.0	81.45	0.879	1.034	0.367					1100	
704-DRA74-101-R	DRA74-101-R	B	100	98.5	0.822	0.929	0.419					1100	
704-DRA74-151-R	DRA74-151-R	B	150	150.9	0.661	0.748	0.648					1100	
704-DRA74-221-R	DRA74-221-R	B	220	218.9	0.544	0.626	0.96					1100	
704-DRA74-331-R	DRA74-331-R	B	330	328.9	0.435	0.514	1.50					1100	
704-DRA74-471-R	DRA74-471-R	B	470	471.5	0.383	0.420	1.93					1100	
704-DRA74-681-R	DRA74-681-R	B	680	682.8	0.315	0.352	2.86					1100	
704-DRA74-821-R	DRA74-821-R	B	820	815.0	0.279	0.327	3.63					1100	
704-DRA74-102-R	DRA74-102-R	B	1000	1001.7	0.260	0.292	4.19					1100	



**DRA124 SERIES**

MOUSER STOCK NO.	Coiltronics Part No.	Fig.	Rated Inductance (µH)	Open Circuit Inductance (µH)	Irms (A)	Isat (A)	DCR (Ω)	Price Each				Reel Qty.	Price Each
								1	50	100	500		
704-DRA124-R47-R	DRA124-R47-R	C	0.47	0.423	15.15	30.80	0.0019					750	
704-DRA124-1R0-R	DRA124-1R0-R	C	1.0	0.821	11.65	22.00	0.0031					750	
704-DRA124-1R5-R	DRA124-1R5-R	C	1.5	1.36	9.36	17.11	0.0049					750	
704-DRA124-2R2-R	DRA124-2R2-R	C	2.2	2.04	7.64	14.00	0.007					750	
704-DRA124-3R3-R	DRA124-3R3-R	C	3.3	2.79	6.94	11.85	0.009					750	
704-DRA124-4R7-R	DRA124-4R7-R	C	4.7	4.74	5.47	9.06	0.014					750	
704-DRA124-6R8-R	DRA124-6R8-R	C	6.8	7.28	4.46	7.33	0.021					750	
704-DRA124-8R2-R	DRA124-8R2-R	C	8.2	8.88	3.87	6.70	0.028					750	
704-DRA124-100-R	DRA124-100-R	C	10.0	10.37	3.67	6.16	0.031					750	
704-DRA124-150-R	DRA124-150-R	C	15.0	14.10	3.10	5.31	0.044					750	
704-DRA124-220-R	DRA124-220-R	C	22.0	23.00	2.44	4.16	0.071					750	
704-DRA124-330-R	DRA124-330-R	C	33.0	34.13	1.98	3.42	0.108					750	
704-DRA124-470-R	DRA124-470-R	C	47.0	46.27	1.78	2.91	0.134					750	
704-DRA124-680-R	DRA124-680-R	C	68.0	69.77	1.454	2.369	0.201					750	
704-DRA124-820-R	DRA124-820-R	C	82.0	80.57	1.285	2.232	0.257					750	
704-DRA124-101-R	DRA124-101-R	C	100	98.8	1.199	2.000	0.296					750	
704-DRA124-151-R	DRA124-151-R	C	150	151.7	0.967	1.621	0.454					750	
704-DRA124-221-R	DRA124-221-R	C	220	209.6	0.865	1.363	0.568					750	
704-DRA124-331-R	DRA124-331-R	C	330	326.9	0.690	1.092	0.892					750	
704-DRA124-471-R	DRA124-471-R	C	470	473.0	0.568	0.911	1.32					750	
704-DRA124-681-R	DRA124-681-R	C	680	682.1	0.466	0.759	1.96					750	
704-DRA124-821-R	DRA124-821-R	C	820	826.7	0.406	0.697	2.57					750	
704-DRA124-102-R	DRA124-102-R	C	1000	1001.0	0.380	0.629	2.94					750	

