

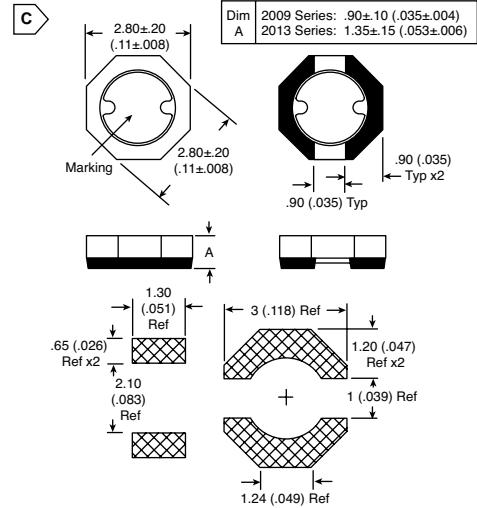
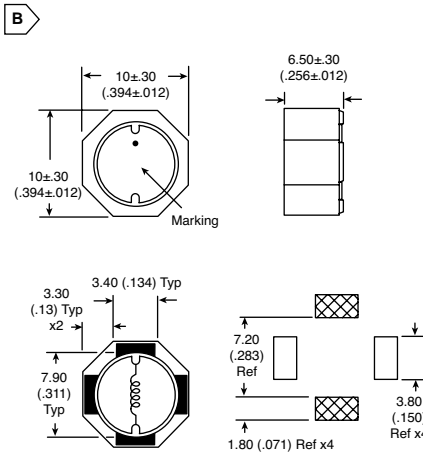
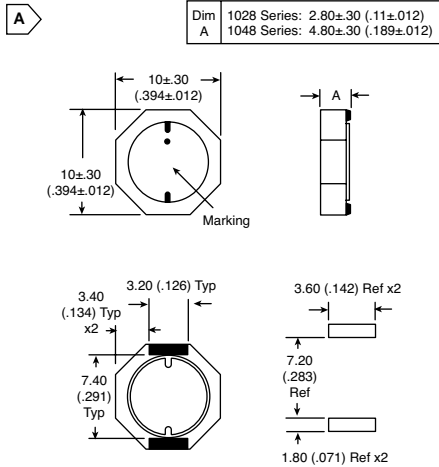
# BOURNS Shielded SMD Power Inductors

**BOURNS**



This product is RoHS compliant.

DIMENSIONS: mm (in.)



## SERIES: SRU1028, SRU1048, SRU1063, SRU2009, SRU2013

### Applications:

- Input/output of DC/DC converters
- Power supplies for portable communication equipment, camcorders, LDS TVs, and car radios

### Specifications:

- Test voltage: 1V
- Reflow soldering: 230°C, 50 sec. max.
- Operating temperature: -40°C to +125°C

- Storage temperature: -40°C to +125°C
- Resistance to soldering heat: 260°C for 10 sec.

For quantities of 250 and up, call for quote.

MOUSER STOCK NO.	Bourns Part No.	Fig.	Inductance 100KHz uH	Q Ref.	Test Frequency (MHz)	SRF Min. (MHz)	RDC (mΩ)	I rms Max. (A)	I sat Typ. (A)	Price Each		Reel Quantity	Reel Price Each
										1	100		
<b>SRU1028 Series</b>													
652-SRU1028-1R0Y	SRU1028-1R0Y	A	1.0	14	7.96	100.0	4.9	7.00	8.00			1000	
652-SRU1028-1R5Y	SRU1028-1R5Y	A	1.5	12	7.96	80.0	7.3	6.50	6.50			1000	
652-SRU1028-2R2Y	SRU1028-2R2Y	A	2.2	12	7.96	65.0	11	5.30	4.80			1000	
652-SRU1028-3R3Y	SRU1028-3R3Y	A	3.3	14	7.96	55.0	15	4.60	4.30			1000	
652-SRU1028-4R7Y	SRU1028-4R7Y	A	4.7	12	7.96	40.0	16	4.50	3.80			1000	
652-SRU1028-6R8Y	SRU1028-6R8Y	A	6.8	12	7.96	30.0	25	3.50	3.00			1000	
652-SRU1028-8R2Y	SRU1028-8R2Y	A	8.2	12	7.96	28.0	28	3.30	2.70			1000	
652-SRU1028-100Y	SRU1028-100Y	A	10.0	20	7.96	25.0	40	2.80	2.40			1000	
652-SRU1028-150Y	SRU1028-150Y	A	15.0	26	2.52	22.0	69	2.00	2.00			1000	
652-SRU1028-220Y	SRU1028-220Y	A	22.0	26	2.52	16.0	104	1.60	1.40			1000	
652-SRU1028-330Y	SRU1028-330Y	A	33.0	24	2.52	12.0	139	1.25	1.20			1000	
652-SRU1028-470Y	SRU1028-470Y	A	47.0	20	2.52	11.0	167	1.30	1.10			1000	
652-SRU1028-560Y	SRU1028-560Y	A	56.0	22	2.52	10.0	208	1.10	1.00			1000	
652-SRU1028-680Y	SRU1028-680Y	A	68.0	20	2.52	9.0	232	1.00	0.90			1000	
652-SRU1028-820Y	SRU1028-820Y	A	82.0	20	2.52	8.0	323	0.90	0.85			1000	
652-SRU1028-101Y	SRU1028-101Y	A	100.0	20	0.796	7.0	365	0.85	0.80			1000	
652-SRU1028-121Y	SRU1028-121Y	A	120.0	18	0.796	6.0	428	0.65	0.70			1000	
652-SRU1028-151Y	SRU1028-151Y	A	150.0	18	0.796	5.0	518	0.70	0.65			1000	
<b>SRU1048 Series</b>													
652-SRU1048-R80Y	SRU1048-R80Y	A	0.8	8	7.96	100.0	3.6	7.8	8.50			600	
652-SRU1048-1R5Y	SRU1048-1R5Y	A	1.5	14	7.96	70.0	4.3	7	7.20			600	
652-SRU1048-2R2Y	SRU1048-2R2Y	A	2.2	14	7.96	55.0	5.3	6.5	6.30			600	
652-SRU1048-4R7Y	SRU1048-4R7Y	A	4.7	12	7.96	30.0	9.5	5.5	4.75			600	
652-SRU1048-6R8Y	SRU1048-6R8Y	A	6.8	10	7.96	20.0	13.6	4.8	4.10			600	
652-SRU1048-8R2Y	SRU1048-8R2Y	A	8.2	8	7.96	18.0	15.0	4.6	3.80			600	
652-SRU1048-100Y	SRU1048-100Y	A	10.0	26	7.96	16.0	18.5	4.5	3.70			600	
652-SRU1048-150Y	SRU1048-150Y	A	15.0	30	2.52	14.0	29.0	3.2	2.70			600	
652-SRU1048-220Y	SRU1048-220Y	A	22.0	22	2.52	12.0	42.0	2.6	2.00			600	
652-SRU1048-330Y	SRU1048-330Y	A	33.0	24	2.52	10.0	63.0	2.1	1.70			600	
652-SRU1048-470Y	SRU1048-470Y	A	47.0	26	2.52	8.0	94.0	1.7	1.50			600	
652-SRU1048-560Y	SRU1048-560Y	A	56.0	26	2.52	7.0	110.0	1.6	1.40			600	
652-SRU1048-680Y	SRU1048-680Y	A	68.0	24	2.52	6.0	127.0	1.4	1.25			600	
652-SRU1048-820Y	SRU1048-820Y	A	82.0	24	2.52	5.5	149.0	1.3	1.10			600	
652-SRU1048-101Y	SRU1048-101Y	A	100.0	26	0.796	5.0	160.0	1.2	1.00			600	
652-SRU1048-221Y	SRU1048-221Y	A	220.0	20	0.796	4.0	350.0	0.8	0.70			600	
652-SRU1048-331Y	SRU1048-331Y	A	330.0	18	0.796	3.0	490.0	0.65	0.52			600	
<b>SRU1063 Series</b>													
652-SRU1063-4R7Y	SRU1063-4R7Y	B	4.7	11	7.96	30	14	5.50	5.70			500	
652-SRU1063-100Y	SRU1063-100Y	B	10.0	14	7.96	18	38	3.80	4.00			500	
652-SRU1063-150Y	SRU1063-150Y	B	15.0	12	2.52	14	42	3.20	3.40			500	
652-SRU1063-220Y	SRU1063-220Y	B	22.0	15	2.52	10	60	3.00	3.20			500	
652-SRU1063-330Y	SRU1063-330Y	B	33.0	12	2.52	8	105	2.20	2.40			500	
652-SRU1063-470Y	SRU1063-470Y	B	47.0	10	2.52	6	150	1.40	1.60			500	
652-SRU1063-680Y	SRU1063-680Y	B	68.0	8	2.52	5	210	1.20	1.35			500	
652-SRU1063-101Y	SRU1063-101Y	B	100.0	12	2.52	4	320	1.10	1.20			500	
<b>SRU2009 Series</b>													
652-SRU2009-1R0Y	SRU2009-1R0Y	C	1.0	7	7.96	200	110	1.45	1.3			1500	
652-SRU2009-2R2Y	SRU2009-2R2Y	C	2.2	7	7.96	120	210	1.1	0.8			1500	
652-SRU2009-3R3Y	SRU2009-3R3Y	C	3.3	7	7.96	100	320	0.8	0.6			1500	
652-SRU2009-100Y	SRU2009-100Y	C	10.0	10	2.52	50	1080	0.4	0.35			1500	
652-SRU2009-220Y	SRU2009-220Y	C	22.0	10	2.52	30	2600	0.22	0.22			1500	
<b>SRU2013 Series</b>													
652-SRU2013-1R0Y	SRU2013-1R0Y	C	1.0	9	7.96	180	65	2.2	1.6			1200	
652-SRU2013-3R3Y	SRU2013-3R3Y	C	3.3	10	7.96	80	135	1	0.86			1200	
652-SRU2013-6R8Y	SRU2013-6R8Y	C	6.8	10	7.96	60	330	0.8	0.6			1200	
652-SRU2013-100Y	SRU2013-100Y	C	10.0	12	2.52	40	520	0.67	0.45			1200	
652-SRU2013-220Y	SRU2013-220Y	C	22.0	12	2.52	25	880	0.4	0.35			1200	
652-SRU2013-470Y	SRU2013-470Y	C	47.0	14	2.52	15	2860	0.25	0.23			1200	

NEW AT MOUSER Inductors Bourns NEW AT MOUSER NEW AT MOUSER