

API DELEVAN SMD Power Inductors

API Delevan

P1812 SERIES SMD POWER INDUCTORS

Specifications:

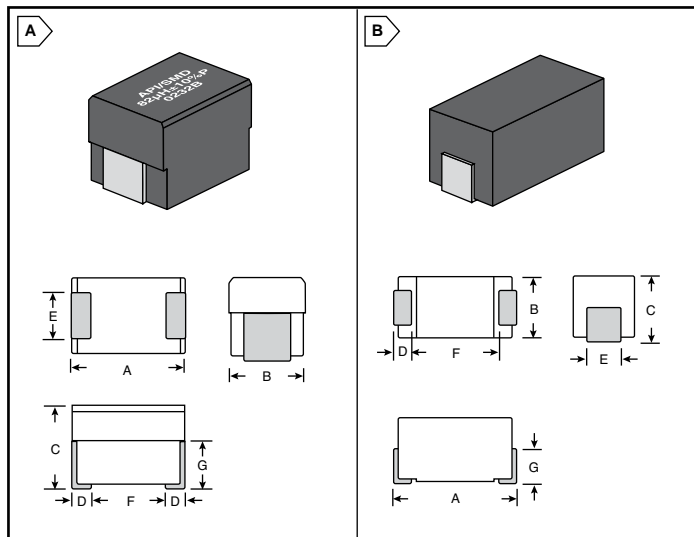
- Operating Temperature: -55°C to +125°C
- Current Rating at 90°C Ambient: 35°C Rise
- Max Power Dissipation at 90°C: 0.287W
- Tolerance: ±10%

Physical Parameters		
	Inches	Millimeters
A	0.166 to 0.190	4.22 to 4.83
B	0.118 to 0.134	3.00 to 3.40
C	0.118 to 0.134	3.00 to 3.40
D	0.015 Min.	0.38 Min.
E	0.054 to 0.078	1.37 to 1.98
F	0.118 (Ref Only)	3.00 (Ref Only)
G	0.066 (Ref Only)	1.68 (Ref Only)

Dimensions "A" and "C" are over terminals.

For quantities of 1000 and up, call for quote.

MOUSER STOCK NO.	API Delevan Part No.	Fig.	Inductance (µH)	Rdc. Max. (Ω)	Idc. Max. (mA)	Price Each		
						1	100	Reel 500
807-P1812-102K	P1812-102K	A	1.0	0.113	1050			
807-P1812-122K	P1812-122K	A	1.2	0.199	1000			
807-P1812-152K	P1812-152K	A	1.5	0.222	950			
807-P1812-222K	P1812-222K	A	2.2	0.268	850			
807-P1812-272K	P1812-272K	A	2.7	0.288	800			
807-P1812-332K	P1812-332K	A	3.3	0.323	750			
807-P1812-392K	P1812-392K	A	3.9	0.347	700			
807-P1812-472K	P1812-472K	A	4.7	0.401	650			
807-P1812-562K	P1812-562K	A	5.6	0.437	650			
807-P1812-682K	P1812-682K	A	6.8	0.472	600			
807-P1812-822K	P1812-822K	A	8.2	0.548	600			
807-P1812-103K	P1812-103K	A	10	0.608	550			
807-P1812-123K	P1812-123K	A	12	0.670	550			
807-P1812-153K	P1812-153K	A	15	0.780	450			
807-P1812-183K	P1812-183K	A	18	0.875	400			
807-P1812-223K	P1812-223K	A	22	1.200	370			
807-P1812-273K	P1812-273K	A	27	1.404	330			
807-P1812-333K	P1812-333K	A	33	1.578	300			
807-P1812-393K	P1812-393K	A	39	1.848	280			
807-P1812-473K	P1812-473K	A	47	2.064	260			
807-P1812-563K	P1812-563K	A	56	2.268	240			
807-P1812-823K	P1812-823K	A	82	3.648	200			
807-P1812-104K	P1812-104K	A	100	4.320	180			
807-P1812-124K	P1812-124K	A	120	6.000	160			
807-P1812-184K	P1812-184K	A	180	8.400	120			
807-P1812-224K	P1812-224K	A	220	9.680	120			
807-P1812-334K	P1812-334K	A	330	15.240	90			



4922 SERIES/HIGH CURRENT INDUCTORS SMD

Mechanical Configuration: Units are encapsulated in a Surface Mount package, using an epoxy molded case. Leads are pre-tinned. A high resistivity ferrite core allows for high inductance with low DC resistance.

Specifications:

- Operating Temperature: -55°C to +125°C
- Current Rating at 85°C Ambient: 40°C Rise
- Max Power Dissipation at 85°C: 0.55 Watts

Physical Parameters		
	Inches	Millimeters
A	0.490 to 0.520	12.44 to 13.21
B	0.230 to 0.250	5.84 to 6.35
C	0.210 to 0.230	5.33 to 5.84
D	0.050 Min.	1.27 Min.
E	0.055 to 0.075	1.40 to 1.91
F	0.330 (Ref Only)	8.38 (Ref Only)
G	0.120 (Ref Only)	3.04 (Ref Only)

For quantities of 1000 and up, call for quote.

MOUSER STOCK NO.	API Delevan Part No.	Fig.	Inductance @ 1 kHz (µH)	Rdc. Max. (Ω)	Idc. Max. (A)	Price Each		
						1	100	Reel 500
807-4922-221L	4922-221L	B	0.22	0.008	7			
807-4922-271L	4922-271L	B	0.27	0.0085	6.75			
807-4922-391L	4922-391L	B	0.39	0.0095	6.25			
807-4922-471L	4922-471L	B	0.47	0.01	6			
807-4922-561L	4922-561L	B	0.56	0.0105	5.8			
807-4922-681L	4922-681L	B	0.68	0.011	5.7			
807-4922-01L	4922-01L	B	1.00	0.013	5.5			
807-4922-02L	4922-02L	B	1.20	0.018	4.69			
807-4922-03L	4922-03L	B	1.50	0.02	4.45			
807-4922-04L	4922-04L	B	1.80	0.021	4.34			
807-4922-05L	4922-05L	B	2.20	0.029	3.7			
807-4922-06L	4922-06L	B	2.70	0.034	3.41			
807-4922-07L	4922-07L	B	3.30	0.038	3.23			
807-4922-08L	4922-08L	B	3.90	0.042	3.07			
807-4922-09L	4922-09L	B	4.70	0.047	2.9			
807-4922-10L	4922-10L	B	5.60	0.051	2.79			
807-4922-11L	4922-11L	B	6.80	0.058	2.61			
807-4922-13L	4922-13L	B	10.00	0.071	2.36			
807-4922-14L	4922-14L	B	12.00	0.079	2.24			
807-4922-15L	4922-15L	B	15.00	0.089	2.11			
807-4922-16L	4922-16L	B	18.00	0.119	1.82			
807-4922-17L	4922-17L	B	22.00	0.152	1.61			
807-4922-18L	4922-18L	B	27.00	0.179	1.48			
807-4922-19L	4922-19L	B	33.00	0.222	1.33			
807-4922-21L	4922-21L	B	47.00	0.362	1.04			
807-4922-22L	4922-22L	B	56.00	0.397	1			
807-4922-23L	4922-23L	B	68.00	0.418	0.97			
807-4922-25L	4922-25L	B	100.00	0.672	0.76			
807-4922-27L	4922-27L	B	150.00	0.998	0.63			
807-4922-29L	4922-29L	B	220.00	1.58	0.5			
807-4922-30L	4922-30L	B	270.00	1.77	0.47			
807-4922-31L	4922-31L	B	330.00	2.51	0.39			
807-4922-35L	4922-35L	B	680.00	4.31	0.3			
807-4922-36L	4922-36L	B	820.00	6.04	0.26			
807-4922-37L	4922-37L	B	1000.00	6.9	0.24			
807-4922-38L	4922-38L	B	1200.00	10	0.2			
807-4922-39L	4922-39L	B	1500.00	12.5	0.178			
807-4922-40L	4922-40L	B	1800.00	16	0.157			
807-4922-41L	4922-41L	B	2200.00	20	0.141			
807-4922-42L	4922-42L	B	2700.00	23	0.131			
807-4922-43L	4922-43L	B	3300.00	25	0.126			
807-4922-45L	4922-45L	B	4700.00	37	0.103			
807-4922-46L	4922-46L	B	5600.00	40	0.1			
807-4922-47L	4922-47L	B	6800.00	62	0.08			
807-4922-48L	4922-48L	B	8200.00	66	0.077			
807-4922-50L	4922-50L	B	12K	93	0.065			
807-4922-53L	4922-53L	B	22K	160	0.05			

P1330 SERIES SMD POWER INDUCTORS

Specifications:

- Operating Temperature: -55°C to +125°C
- Current Rating at 90°C Ambient: 35°C Rise
- Max Power Dissipation at 90°C: 0.210W
- Tolerance: ±10%

Physical Parameters		
	Inches	Millimeters
A	0.300 to 0.325	7.62 to 8.26
B	0.105 to 0.125	2.67 to 3.18
C	0.125 to 0.145	3.18 to 3.68
D	0.020 Min.	0.508 Min.
E	0.040 to 0.060	1.02 to 1.52
F	0.190 (Ref Only)	4.83 (Ref Only)
G	0.070 (Ref Only)	1.78 (Ref Only)

For quantities of 1000 and up, call for quote.

MOUSER STOCK NO.	API Delevan Part No.	Fig.	Inductance (µH)	Rdc. Max. (Ω)	Idc. Max. (mA)	Price Each		
						1	100	Reel 500
807-P1330-102K	P1330-102K	B	1.0	0.035	2780			
807-P1330-152K	P1330-152K	B	1.5	0.043	2030			
807-P1330-182K	P1330-182K	B	1.8	0.048	1950			
807-P1330-222K	P1330-222K	B	2.2	0.075	1690			
807-P1330-272K	P1330-272K	B	2.7	0.080	1550			
807-P1330-332K	P1330-332K	B	3.3	0.108	1460			
807-P1330-392K	P1330-392K	B	3.9	0.118	1390			
807-P1330-472K	P1330-472K	B	4.7	0.125	1330			
807-P1330-562K	P1330-562K	B	5.6	0.145	1110			
807-P1330-682K	P1330-682K	B	6.8	0.165	1080			
807-P1330-822K	P1330-822K	B	8.2	0.180	1020			
807-P1330-103K	P1330-103K	B	10	0.216	946			
807-P1330-153K	P1330-153K	B	15	0.288	858			
807-P1330-183K	P1330-183K	B	18	0.328	817			
807-P1330-223K	P1330-223K	B	22	0.384	694			
807-P1330-273K	P1330-273K	B	27	0.425	657			
807-P1330-333K	P1330-333K	B	33	0.538	568			
807-P1330-393K	P1330-393K	B	39	0.600	488			
807-P1330-473K	P1330-473K	B	47	0.792	467			
807-P1330-563K	P1330-563K	B	56	0.900	442			
807-P1330-683K	P1330-683K	B	68	1.020	384			
807-P1330-823K	P1330-823K	B	82	1.380	362			
807-P1330-104K	P1330-104K	B	100	1.680	347			
807-P1330-124K	P1330-124K	B	120	1.800	327			
807-P1330-154K	P1330-154K	B	150	2.040	272			
807-P1330-184K	P1330-184K	B	180	2.400	261			
807-P1330-224K	P1330-224K	B	220	2.648	223			
807-P1330-334K	P1330-334K	B	330	4.800	179			
807-P1330-474K	P1330-474K	B	470	6.000	161			
807-P1330-564K	P1330-564K	B	560	6.960	138			
807-P1330-684K	P1330-684K	B	680	8.760	130			
807-P1330-824K	P1330-824K	B	820	9.960	113			
807-P1330-105K	P1330-105K	B	1000	11.160	105			