

ABRACON Programmable and MEMS Clock Oscillators



ULTRA MINIATURE PURE SILICON MEMS CLOCK OSCILLATORS, 5 X 3.2mm

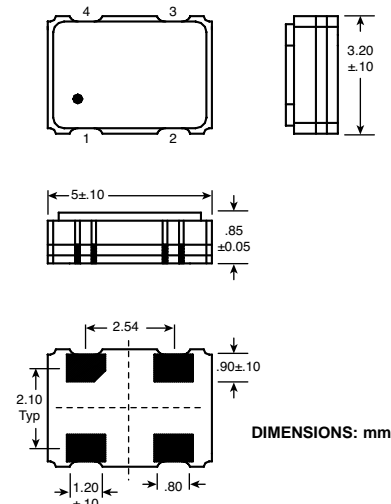
- Features:**
- Ultra Miniature Pure Silicon™ Clock Oscillator
 - MEMS Technology by Discera™
 - Harsh Environment Industrial Equipment
 - RF Oscillator
 - High Shock Resistance



This product is RoHS compliant.

For quantities of 500 and up, call for quote.

MOUSER STOCK NO.	Abracon Part No.	Voltage	Tolerance	Price Each				Reel Qty.	Price Each
				1	10	50	100		
815-ASFLM1-1.8-T	ASFLM1-1.8432MHZ-C-T	3.3V	50ppm					1000	
815-ASFLM1-3.6-T	ASFLM1-3.6864MHZ-C-T	3.3V	50ppm					1000	
815-ASFLM1-4.0-T	ASFLM1-4.000MHZ-C-T	3.3V	50ppm					1000	
815-ASFLM1-7.3-T	ASFLM1-7.3728MHZ-C-T	3.3V	50ppm					1000	
815-ASFLM1-8.0-T	ASFLM1-8.000MHZ-C-T	3.3V	50ppm					1000	
815-ASFLM1-10.0-T	ASFLM1-10.000MHZ-C-T	3.3V	50ppm					1000	
815-ASFLM1-11.0-T	ASFLM1-11.0592MHZ-C-T	3.3V	50ppm					1000	
815-ASFLM1-12.0-T	ASFLM1-12.000MHZ-C-T	3.3V	50ppm					1000	
815-ASFLM1-14.3-T	ASFLM1-14.31818MHZ-C-T	3.3V	50ppm					1000	
815-ASFLM1-14.7-T	ASFLM1-14.7456MHZ-C-T	3.3V	50ppm					1000	
815-ASFLM1-16.0-T	ASFLM1-16.000MHZ-C-T	3.3V	50ppm					1000	
815-ASFLM1-18.4-T	ASFLM1-18.432MHZ-C-T	3.3V	50ppm					1000	
815-ASFLM1-20.0-T	ASFLM1-20.000MHZ-C-T	3.3V	50ppm					1000	
815-ASFLM1-24.0-T	ASFLM1-24.000MHZ-C-T	3.3V	50ppm					1000	
815-ASFLM1-24.5-T	ASFLM1-24.576MHZ-C-T	3.3V	50ppm					1000	
815-ASFLM1-25.0-T	ASFLM1-25.000MHZ-C-T	3.3V	50ppm					1000	
815-ASFLM1-27.0-T	ASFLM1-27.000MHZ-C-T	3.3V	50ppm					1000	
815-ASFLM1-30.0-T	ASFLM1-30.000MHZ-C-T	3.3V	50ppm					1000	
815-ASFLM1-32.0-T	ASFLM1-32.000MHZ-C-T	3.3V	50ppm					1000	
815-ASFLM1-33.0-T	ASFLM1-33.000MHZ-C-T	3.3V	50ppm					1000	
815-ASFLM1-33.3-T	ASFLM1-33.333MHZ-C-T	3.3V	50ppm					1000	
815-ASFLM1-40.0-T	ASFLM1-40.000MHZ-C-T	3.3V	50ppm					1000	
815-ASFLM1-48.0-T	ASFLM1-48.000MHZ-C-T	3.3V	50ppm					1000	
815-ASFLM1-50.0-T	ASFLM1-50.000MHZ-C-T	3.3V	50ppm					1000	



Frequency Control
Abracon

MEMS OSCILLATOR PROGRAMMER KITS

MEMSpeed Pro™ Deluxe Kit

- Includes:**
- MEMSpeed Pro
 - Two Socket Adapters (5.0 x 3.2 and 3.2 x 2.5mm)
 - USB Cable
 - Tweezers
 - Quickstart Guide and CD-ROM for PC Installation
 - 200 unprogrammed blank oscillators (100 ASFLM-5032 and 100 ASEM-3225)

MOUSER STOCK NO.	Description	Price Each
815-MEMS-PRO	MEMSpeed Pro Deluxe Kit	

MEMSpeed Pro™ Standard 5032 Kit

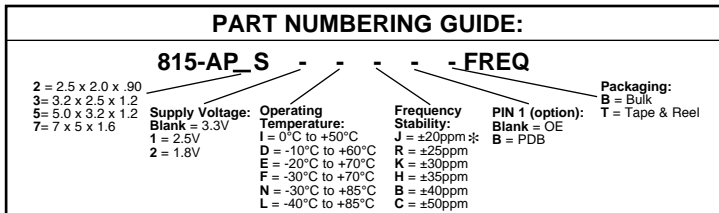
- Includes:**
- MEMSpeed Pro
 - One Socket Adapters (5.0 x 3.2)
 - USB Cable
 - Tweezers
 - Quickstart Guide and CD-ROM for PC Installation
 - 50 unprogrammed blank oscillators (50 ASFLM-5032)

MOUSER STOCK NO.	Description	Price Each
815-MEMS-STD	MEMSpeed Pro Standard 5032 Kit	



PROGRAMMABLE CRYSTAL OSCILLATORS

* Available with "I", "D" or "E" temp options only.



AP2SX Series Programmable Oscillators, 2.5 X 2.0mm

- Features:**
- Performance comparable to fixed frequency oscillator
 - Lowest peak-to-peak jitter
 - Low supply current
- Specifications:**
- Frequency Range: 3.3V 1-110 MHz, 2.5V 1-90 MHz, 1.8V 1-75 MHz

For Reels or quantities greater than listed, call for quote.

MOUSER STOCK NO.	Price Each		
	1	10	25
815-AP2SX-X-X-X-Freq	16,50	13,20	9,08

AP3SX Series Programmable Oscillators, 3.2 X 2.5mm

- Features:**
- Performance comparable to fixed frequency oscillator
 - Lowest peak-to-peak jitter
 - Low supply current
- Specifications:**
- Frequency Range: 3.3V 0.8-110 MHz, 2.5V 0.8-90 MHz, 1.8V 0.8-75 MHz

For Reels or quantities greater than listed, call for quote.

MOUSER STOCK NO.	Price Each		
	1	10	25
815-AP3SX-X-X-X-Freq	16,50	10,73	7,43

AP5SX Series Programmable Oscillators, 5.0 X 3.2mm

- Features:**
- Performance comparable to fixed frequency oscillator
 - Lowest peak-to-peak jitter
 - Low supply current
- Specifications:**
- Frequency Range: 3.3V 1-110 MHz, 2.5V 1-90 MHz, 1.8V 1-75 MHz

For Reels or quantities greater than listed, call for quote.

MOUSER STOCK NO.	Price Each		
	1	10	25
815-AP5SX-X-X-X-Freq	16,50	9,49	6,19

AP7SX Series Programmable Oscillators, 7.0 X 5.0mm

- Features:**
- Performance comparable to fixed frequency oscillator
 - Lowest peak-to-peak jitter
 - Low supply current
- Specifications:**
- Frequency Range: 3.3V 0.8-110 MHz, 2.5V 0.8-90 MHz, 1.8V 0.8-75 MHz

For Reels or quantities greater than listed, call for quote.

MOUSER STOCK NO.	Price Each		
	1	10	25
815-AP7SX-X-X-X-Freq	16,50	9,08	5,78

