

This product is RoHS compliant.

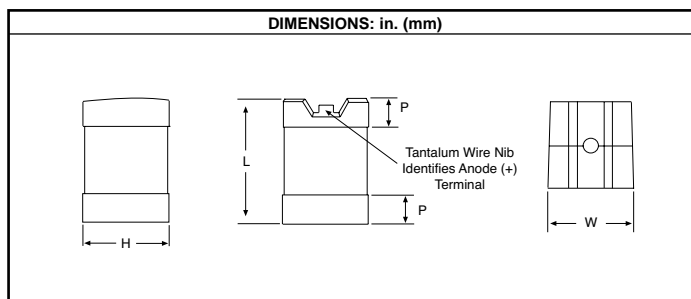
292D SERIES: TANTAMOUNT® LEAD FRAMELESS MOLDED

- Features:**
- 0805 Footprint
 - 1.2mm and 1.5mm Max. Height
 - Wraparound tin terminations
 - Operating Temperature: -55°C to +85°C
 - 10% Tolerance stocked, 20% tolerance available



RoHS Compliant

Case Code	EIA Code	DIMENSIONS: in. (mm)			
		L	W	H	P
R	0805 (2012)	0.079±0.008 (2.0±0.2)	0.051±0.008 (1.3±0.2)	0.047 (Max.) (1.2 Max.)	0.020±0.012 (0.5±0.3)
P	0805 (2012)	0.079±0.010 (2.0±0.25)	0.053±0.008 (1.35±0.2)	0.053±0.008 (1.35±0.2)	0.020±0.012 (0.5±0.3)



MOUSER STOCK NO.	Vishay Part No.	Value (µF)	Case Code	Max. DCL @ +25°C (µA)	Max. DF @ +25°C (%)	Max. ESR@ +25°C, 100KHz (Ω)	Price Each				Reel Quantity	Price Per Piece
							1	10	100	500		
4 Volt												
75-292D685X9004R2T	292D685X9004R2T	6.8	R	0.5	6	5.5					2500	
75-292D106X9004R2T	292D106X9004R2T	10	R	0.5	6	5.1					2500	
75-292D156X9004R2T	292D156X9004R2T	15	R	0.8	8	3.5					2500	
6.3 Volt												
75-292D475X96R3R2T	292D475X96R3R2T	4.7	R	0.6	6	3.4					2500	
75-292D685X96R3R2T	292D685X96R3R2T	6.8	R	0.5	6	5					2500	
75-292D226X96R3R2T	292D226X96R3R2T	22	R	1.4	10	3.5					2500	
75-292D336X96R3P2T	292D336X96R3P2T	33	P	2.1	12	3.5					2500	
10 Volt												
75-292D475X9010R2T	292D475X9010R2T	4.7	R	0.5	8	5					2500	
16 Volt												
75-292D225X9016R2T	292D225X9016R2T	2.2	R	0.35	8	6					2500	

For quantities of 500 and up, call for quote.

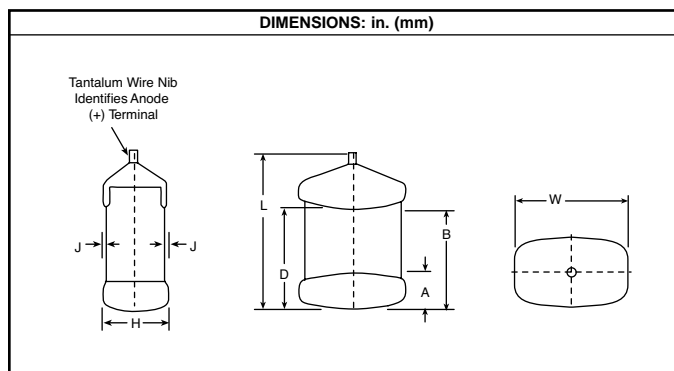
195D SERIES: TANTAMOUNT® CONFORMAL COATED

- Features:**
- Qualified CECC, 30801/006/008 - CTC2
 - 10% Tolerance stocked, 20% tolerance available
 - Operating Temperature: -55°C to +85°C



RoHS Compliant

Case Code	EIA Size	DIMENSIONS in. (mm)						
		L (Max.)	W	H	A	B	D (Ref.)	J (Max.)
R	7257	0.283 (7.2)	0.235±0.013 (6.0±0.3)	0.136±0.010 (3.15±0.3)	0.051±0.013 (1.3±0.3)	0.180±0.025 (4.6±0.6)	0.243 (6.20)	0.004 (0.10)
S	3518	0.143 (3.63)	0.072±0.008 (1.83±0.20)	0.048±0.008 (1.22±0.20)	0.023±0.010 (0.58±0.25)	0.085±0.015 (2.16±0.37)	0.115 (2.90)	0.004 (0.10)
X	7227	0.285 (7.24)	0.104±0.010 (2.65±0.25)	0.051±0.010 (1.30±0.25)	0.040±0.020 (1.00±0.50)	0.200±0.027 (5.08±0.69)	0.243 (6.20)	0.004 (0.10)
Y	7227	0.285 (7.24)	0.104±0.010 (2.65±0.25)	0.069±0.010 (1.75±0.25)	0.040±0.020 (1.00±0.50)	0.200±0.027 (5.08±0.69)	0.243 (6.20)	0.004 (0.10)
Z	7227	0.285 (7.24)	0.104±0.010 (2.65±0.25)	0.104±0.010 (2.65±0.25)	0.040±0.020 (1.00±0.50)	0.200±0.023 (5.08±0.59)	0.243 (6.20)	0.004 (0.10)



MOUSER STOCK NO.	Vishay Part No.	Value (µF)	Case Code	Max. DCL @ +25°C (µA)	Max. DF @ +25°C (%)	Price Each				Reel Quantity	Price Per Piece
						1	10	100	500		
10 Volt											
75-195D226X9010Y2T	195D226X9010Y2T	22	Y	2.2	6					1500	
16 Volt											
75-195D106X9016X2T	195D106X9016X2T	10	X	1.5	6					2000	
20 Volt											
74-195D225X9020S2T	195D225X9020S2T	2.2	S	0.5	6					2500	
25 Volt											
74-195D25V4.7	195D475X9025X2T	4.7	X	1.2	6					2000	
35 Volt											
75-195D105X9035S2T	195D105X9035S2T	1	S	0.5	4					2500	
74-195D225X0035X2T	195D225X0035X2T	2.2	X	0.8	6					2000	
50 Volt											
74-195D50V4.7	195D475X9050Z2T	4.7	Z	2.4	6					1500	

For quantities of 500 and up, call for quote.