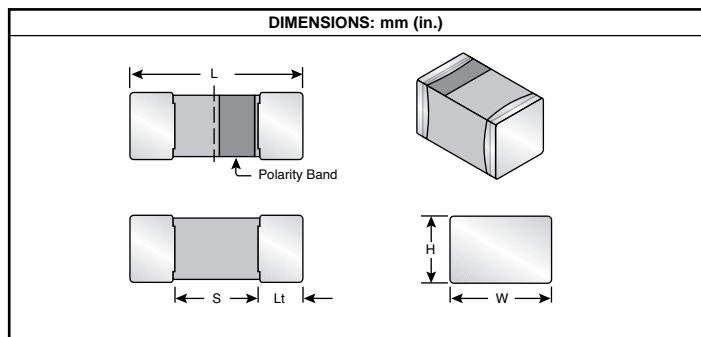


# AVX TACMICROCHIP™ Miniature, Low ESR

## AVX TACMICROCHIP™ MINIATURE, LOW ESR

The world's smallest surface mount tantalum capacitor, small enough to create space providing room for ideas to grow. TACmicrochip is a major breakthrough in miniaturization without reduction in performance. It offers the highest energy store in an 0402, 0603, or 0805 case size; enhanced high frequency operation through unique ESR performance with temperature and voltage stability. 125°C derate voltage 33%.



XTA-Std. termination (Nickel & Tin) supplied on plastic embossed tape on a 4mm pitch in a 4.25" diameter reel.

QTA-Std. termination (Nickel & Tin) supplied on punched paper tape on a 2mm pitch in a 4.25" diameter reel.

### Packaging Suffix

Reel Size	Standard Tin Termination Plastic Tape 1206/0805/0603	Standard Tin Termination Paper Tape 0402
41/4	Xxx	Qxx

Code	EIA Code	EIA Metric	Length (L)	Width (W)	Height (H)	Termination Spacing (S)	Termination Length (Lt)	Quantity Per Reel
K	0402	1005-05	1.00 (0.039)	0.50 (0.020)	0.50 (0.020)	0.40 min.	0.10 (0.004)	500
L	0603	4608-08	1.60 (0.063)	0.85 (0.033)	0.85 (0.033)	0.65 min.	0.15 (0.006)	500
R	0805	2012-12	2.00 (0.079)	1.35 (0.053)	1.35 (0.053)	0.85 min.	0.15 (0.006)	500
A	1206	3216-18	3.20 (0.126)	1.60 (0.063)	1.60 (0.063)	1.80 min. (0.071 min.)	0.15 (0.006)	500

### Style 0402

MOUSER STOCK NO.		Volt (DC) 85°	Value (µF)	Tol. ±	ESR Max. Ω @100kHz	Price Each		Reel Qty.	Reel Price
Mfr.	Mfr. Part Number					1	100		
581	TACK225M003Q	3	2.2	20	15			1000	
581	TACK475M003Q	3	4.7	20	15			1000	
581	TACK474M010Q	10	0.47	20	15			1000	

### Style 0603

MOUSER STOCK NO.		Volt (DC) 85°	Value (µF)	Tol. ±	ESR Max. Ω @100kHz	Price Each		Reel Qty.	Reel Price
Mfr.	Mfr. Part Number					1	100		
581	TACL106K002R	2	10	10	7.5			3500	
581	TACL106M002R	2	10	20	7.5			3500	
581	TACL335M002R	2	3.3	20	7.5			3500	
581	TACL475K002R	2	4.7	10	7.5			3500	
581	TACL475M002R	2	4.7	20	7.5			3500	
581	TACL685K002R	2	6.8	10	7.5			3500	
581	TACL685M002R	2	6.8	20	7.5			3500	
581	TACL106K003R	3	10	10	7.5			3500	
581	TACL106M003HTA	3	10	20	7.5			3500	
581	TACL106M003RTA	3	10	20	7.5			3500	
581	TACL225K003R	3	2.2	10	7.5			3500	
581	TACL225M003R	3	2.2	20	7.5			3500	
581	TACL226M003H	3	22	20	7.5			3500	
581	TACL226M003R	3	22	20	7.5			3500	
581	TACL335K003R	3	3.3	10	7.5			3500	
581	TACL335M003R	3	3.3	20	7.5			3500	
581	TACL475K003R	3	4.7	10	7.5			3500	
581	TACL475M003R	3	4.7	20	7.5			3500	
581	TACL685K003R	3	6.8	10	7.5			3500	
581	TACL685M003R	3	6.8	20	7.5			3500	
581	TACL106M004R	4	10	20	7.5			3500	
581	TACL155K004R	4	1.5	10	7.5			3500	
581	TACL155M004R	4	1.5	20	7.5			3500	
581	TACL226M004R	4	22	20	7.5			3500	
581	TACL255K004R	4	2.5	10	7.5			3500	
581	TACL255M004R	4	2.5	20	7.5			3500	
581	TACL335K004R	4	3.3	10	7.5			3500	
581	TACL335M004R	4	3.3	20	7.5			3500	
581	TACL475K004R	4	4.7	10	7.5			3500	
581	TACL475M004R	4	4.7	20	7.5			3500	
581	TACL685K004Q	4	6.8	10	7.5			1000	
581	TACL685M004R	4	6.8	10	7.5			3500	
581	TACL685M004R	4	6.8	20	7.5			3500	
581	TACL105K006R	6.3	1	10	7.5			3500	
581	TACL105M006R	6.3	1	20	7.5			3500	
581	TACL106M006R	6.3	10	20	7.5			3500	
581	TACL106M006RTA	6.3	10	20	7.5			3500	
581	TACL155K006R	6.3	1.5	10	7.5			3500	
581	TACL155M006R	6.3	1.5	20	7.5			3500	
581	TACL225K006RTA	6.3	2.2	10	7.5			3500	
581	TACL225M006R	6.3	2.2	20	7.5			3500	
581	TACL335K006R	6.3	3.3	10	7.5			3500	
581	TACL335M006R	6.3	3.3	20	7.5			3500	

### Style 0603 (Cont.)

MOUSER STOCK NO.		Volt (DC) 85°	Value (µF)	Tol. ±	ESR Max. Ω @100kHz	Price Each		Reel Qty.	Reel Price
Mfr.	Mfr. Part Number					1	100		
581	TACL475K006R	6.3	4.7	10	7.5			3500	
581	TACL475M006R	6.3	4.7	20	7.5			3500	
581	TACL685M006RTA	6.3	6.8	20	7.5			3500	
581	TACL105K010F	10	1	10	7.5			500	
581	TACL105K010R	10	1	10	7.5			3500	
581	TACL105M010RTA	10	1	20	7.5			3500	
581	TACL106M010RTA	10	10	20	7.5			3500	
581	TACL155K010R	10	1.5	10	7.5			3500	
581	TACL155M010R	10	1.5	20	7.5			3500	
581	TACL225K010R	10	2.2	10	7.5			3500	
581	TACL225M010R	10	2.2	20	7.5			3500	
581	TACL335K010R	10	3.3	10	7.5			3500	
581	TACL335M010R	10	3.3	20	7.5			3500	
581	TACL474K010R	10	0.47	10	7.5			3500	
581	TACL474M010R	10	0.47	20	7.5			3500	
581	TACL475K010R	10	4.7	10	7.5			3500	
581	TACL475K010RTA	10	4.7	10	7.5			3500	
581	TACL475M010ATA	10	4.7	20	7.5			3500	
581	TACL475M010FTA	10	4.7	20	7.5			500	
581	TACL475M010R	10	4.7	20	7.5			3500	
581	TACL684K010R	10	0.68	10	7.5			3500	
581	TACL684M010R	10	0.68	20	7.5			3500	
581	TACL105K016F	16	1	10	7.5			500	
581	TACL105K016R	16	1	10	7.5			3500	
581	TACL105K16R	16	1	10	7.5			3500	
581	TACL105M016R	16	1	20	7.5			3500	

### Style 0805

MOUSER STOCK NO.		Volt (DC) 85°	Value (µF)	Tol. ±	ESR Max. Ω @100kHz	Price Each		Reel Qty.	Reel Price
Mfr.	Mfr. Part Number					1	100		
581	TACR226K002R	2	22	10	5			2500	
581	TACR226M002R	2	22	20	5			2500	
581	TACR336K002R	2	33	10	5			2500	
581	TACR336M002R	2	33	20	5			2500	
581	TACR476K002R	2	47	10	5			2500	
581	TACR476M002R	2	47	20	5			2500	
581	TACR686M002R	2	68	20	5			2500	
581	TACR156K003R	3	15	10	5			2500	
581	TACR156M003R	3	15	20	5			2500	
581	TACR226K003R	3	22	10	5			2500	
581	TACR226M003R	3	22	20	5			2500	
581	TACR336K003R	3	33	10	5			2500	
581	TACR336M003R	3	33	20	5			2500	
581	TACR476K003R	3	47	10	5			2500	
581	TACR476M003R	3	47	20	5			2500	
581	TACR686M003R	3	68	20	5			2500	
581	TACR106K004R	4	10	10	5			2500	
581	TACR106M004R	4	10	20	5			2500	
581	TACR156K004R	4	15	10	5			2500	
581	TACR156M004R	4	15	20	5			2500	
581	TACR226K004RTA	4	22	10	5			2500	
581	TACR226M004H	4	22	20	5			2500	
581	TACR226M004R	4	22	20	5			2500	
581	TACR336K004R	4	33	10	5			2500	
581	TACR336K004RTA	4	3.3	10	5			2500	
581	TACR336M004R	4	33	20	5			2500	
581	TACR106K006R	6.3	10	10	5			2500	
581	TACR106M006R	6.3	10	20	5			2500	
581	TACR156K006R	6.3	15	10	5			2500	
581	TACR156M006R	6.3	15	20	5			2500	
581	TACR226K006RTA	6.3	2.2	10	5			2500	
581	TACR226M006R	6.3	22	20	5			2500	
581	TACR685K006R	6.3	6.8	10	5			2500	
581	TACR685M006R	6.3	6.8	20	5			2500	
581	TACH106K010RTA	10	10	10	7.5			3500	
581	TACH106M010RTA	10	10	10	7.5			3500	
581	TACH106M010ATA	10	10	20	5			3500	
581	TACR105K010FTA	10	1	10	5			500	
581	TACR106K010FTA	10	10	10	5			500	
581	TACR106K010R	10	10	10	5			2500	
581	TACR106K10R	10	10	10	5			2500	
581	TACR106M010R	10	10	20	5			2500	
581	TACR156K010RTA	10	15	10	5			2500	
581	TACR156M010R	10	15	20	5			2500	
581	TACR335K010R	10	3.3	10	5			2500	
581	TACR335M010R	10	3.3	20	5			2500	
581	TACR475K010F	10	4.7	10	5			500	
581	TACR475K010R	10	4.7	10	5			2500	
581	TACR475K10R	10	4.7	10	5			2500	
581	TACR475M010R	10	4.7	20	5			2500	
581	TACR475M10R	10	4.7	20	5			2500	
581	TACR685K010RTA	10	6.8	10	5			2500	
581	TACR685M010R	10	6.8	20	5			2500	
581	TACR106K016RTA	16	10	10	5			2500	
581	TACR106M016RTA	16	10	20	5			2500	

### Style 1206

MOUSER STOCK NO.		Volt (DC) 85°	Value (µF)	Tol. ±	ESR Max. Ω @100kHz	Price Each	
------------------	--	---------------	------------	--------	--------------------	------------	--