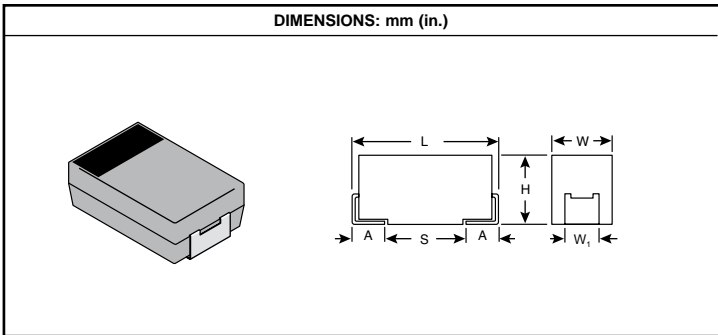


# AVX Tantalum Chip Capacitors



Code	EIA Code	L±0.2(0.008)	W±0.2(0.008) -0.1(0.008)	H±0.2(0.008) -0.1(0.004)	W <sub>1</sub> ± 0.2 (0.008)	A±0.3(0.012) -0.2(0.008)	S Min.
A	3216	3.2 (0.126)	1.6 (0.063)	1.6 (0.063)	1.2 (0.031)	0.8 (0.031)	1.1 (0.043)
B	3528	3.5 (0.138)	2.8 (0.110)	1.9 (0.075)	2.2 (0.087)	0.8 (0.031)	1.4 (0.055)
C	6032	6.0 (0.236)	3.2 (0.126)	2.6 (0.102)	2.2 (0.087)	1.3 (0.051)	2.9 (0.114)
D	7343	7.3 (0.287)	4.3 (0.169)	2.9 (0.114)	2.4 (0.094)	1.3 (0.051)	4.4 (0.173)
E	7343	7.30 (0.287)	4.30 (0.169)	4.10 (0.162)	2.40 (0.094)	1.30 (0.051)	4.40 (0.173)
V	7361	7.3 (0.287)	6.1 (0.24)	3.45±0.30 (0.136±0.012)	3.1 (0.12)	1.4 (0.055)	4.4 (0.173)

W<sub>1</sub> dimension applies to the termination width for A dimensional area only.

AVX Tantalum Caps, SMD

## AVX HIGH TEMPERATURE AND PROFESSIONAL TANTALUM CHIP CAPACITORS

### THJ Series: High Temperature



- Features:**
- Twice improved reliability
  - 175°C @ 0.5V<sub>R</sub> continuous operation
  - CV range: 0.1-220µF / 6.3-50V
  - Low ESR options on approval
  - High temperature automotive and industry applications

**Specifications:**

- Technical data: All technical data relate to an ambient temperature of +25°C
- Capacitance range: 0.1 µF to 150µF
- Temperature range: -55°C to 175°C voltage derating
- Reliability: 0.5% per 1000 hours at 85°C, V<sub>R</sub> with 0.1Ω/V series impedance, 60% confidence level, 3.5 fits at 40°C, 0.5V<sub>R</sub>

### TRJ Series: Professional



- Features:**
- Twice improved reliability
  - DLC reduced by 25% to 0.0075 CV
  - Robust against higher thermo-mechanical stresses during assembly process
  - CV range: 0.1-470µF / 6.3-50V
  - 114 low ESR parts released
  - Automotive, medical, aerospace, military and other high-end applications

**Specifications:**

- Technical data: All technical data relate to an ambient temperature of +25°C
- Capacitance range: 0.1 µF to 470µF
- Leakage current DCL: 0.0075CV
- Temperature range: -55°C to +125°C
- Reliability: 0.5% per 1000 hours at 85°C, V<sub>R</sub> with 0.1Ω/V series impedance 60% confidence level

MOUSER STOCK NO.	AVX Part Number	Value (µF)	Volts	Case Size	ESR max. ohms @ 100kHz	Price Each			Tape and Reel	
						1	100	200	Qty.	Price Each
<b>THJ Series</b>										
581-THJA475K006R	THJA475K006RJN	4.7	6.3	A	6				2000	
581-THJB226K006R	THJB226K006RJN	22	6.3	B	2.5				2000	
581-THJB336K006R	THJB336K006RJN	33	6.3	B	1.7				2000	
581-THJC476K006R	THJC476K006RJN	47	6.3	C	1.6				2000	
581-THJC336K010R	THJC336K010RJN	33	10	C	1.6				2000	
581-THJD107K010R	THJD107K010RJN	100	10	D	.4				2000	
581-THJE227K010AJH	THJE227K010AJH	220	10	E	.25				400	
581-THJA225K016R	THJA225K016RJN	2.2	16	A	6.5				500	
581-THJB475K016R	THJB475K016RJN	4.7	16	B	3.5				2000	
581-THJA685K016R	THJA685K016RJN	6.8	16	A	2.5				2000	
581-THJB685K016R	THJB685K016RJN	6.8	16	B	2.5				2000	
581-THJB106K016R	THJB106K016RJN	10	16	B	2.8				2000	
581-THJC226K016R	THJC226K016RJN	22	16	C	1.6				2000	
581-THJC336K016R	THJC336K016RJN	33	16	C	.6				2000	
581-THJD476K016R	THJD476K016RJN	47	16	D	.9				500	
581-THJD686K016R	THJD686K016RJN	68	16	D	.9				500	
581-THJE107K016AJH	THJE107K016AJH	100	16	E	.25				400	
581-THJA155K020R	THJA155K020RJN	1.5	20	A	1.7				2000	
581-THJB335K020R	THJB335K020RJN	3.3	20	B	3				2000	
581-THJC156K020R	THJC156K020RJN	15	20	C	1.7				2000	
581-THJB225K025R	THJB225K025RJN	2.2	25	B	4.5				2000	
581-THJC685K025R	THJC685K025RJN	6.8	25	C	2				2000	
581-THJC106K025R	THJC106K025RJN	10	25	C	1.8				2000	
581-THJD226K025R	THJD226K025RJN	22	25	D	.9				2000	
581-THJD336K025R	THJD336K025RJN	33	25	D	.5				2000	
581-THJA104K035R	THJA104K035RJN	.1	35	A	24				500	
581-THJA224K035R	THJA224K035RJN	.22	35	A	18				2000	
581-THJB105K035R	THJB105K035RJN	1	35	B	6.5				2000	
581-THJC475K035R	THJC475K035RJN	4.7	35	C	2.2				2000	
581-THJD685K035R	THJD685K035RJN	6.8	35	D	1.3				2000	
581-THJD106K035R	THJD106K035RJN	10	35	D	1				500	
581-THJD156K035R	THJD156K035RJN	15	35	D	.9				2000	
581-THJD226K035R	THJD226K035RJN	22	35	D	.9				2000	
581-THJD475K050R	THJD475K050RJN	4.7	50	D	.9				2000	
<b>TRJ Series</b>										
581-TRJB685M016RRJ	TRJB685M016RRJ	6.8	16	B	2600				2000	
581-TRJC226M016RRJ	TRJC226M016RRJ	22	16	C	700				500	
581-TRJC106M020RRJ	TRJC106M020RRJ	10	20	C	2200				500	
581-TRJD336M020RRJ	TRJD336M020RRJ	33	20	D	600				500	
581-TRJB335M025RRJ	TRJB335M025RRJ	3.3	25	B	3700				2000	
581-TRJC106K025RRJ	TRJC106K025RRJ	10	25	C	800				500	
581-TRJB105K035RRJ	TRJB105K035RRJ	1	35	B	2000				2000	
581-TRJD106K035RRJ	TRJD106K035RRJ	10	35	D	800				500	
581-TRJD685M050RRJ	TRJD685M050RRJ	6.8	50	D	700				500	

## AVX 125°C STANDARD TANTALUM CHIP CAPACITORS: TAJ SERIES

The TAJ standard series encompasses the five key sizes recognized by major OEMs throughout the world. The V case size has been added to the TAJ range to allow high CV's to be offered. The operational temperature is -55°C to +85°C at rated voltage and up to +125°C with voltage derated 33% in applications utilizing recommended series resistance.



RoHS Compliant

For quantities of 500 and up, call for quote.

MOUSER STOCK NO.	AVX Part Number	Value (µF)	Case Size	Price Each			Tape and Reel	
				1	100	200	Qty.	Price Each
<b>10 Volt 10% Tolerance</b>								
581-TAJA225K010	TAJA225K010R	2.2	A				2000	
581-TAJA335K010	TAJA335K010R	3.3	A				2000	
581-TAJA475K010	TAJA475K010R	4.7	A				2000	
581-TAJA685K010	TAJA685K010R	6.8	A				2000	
581-TAJB106K010	TAJB106K010R	10	B				2000	
581-TAJB156K010	TAJB156K010R	15	B				2000	
581-TAJD476K010	TAJD476K010R	47	D				500	
581-TAJD107K010	TAJD107K010R	100	D				500	
581-TAJV337K010	TAJV337K010R	330	V				400	
581-TAJV477K010	TAJV477K010R	470	V				400	
<b>16 Volt 10% Tolerance</b>								
581-TAJA105K016	TAJA105K016R	1.0	A				2000	
581-TAJA225K016	TAJA225K016R	2.2	A				2000	
581-TAJA335K016	TAJA335K016R	3.3	A				2000	
581-TAJB475K016	TAJB475K016R	4.7	B				2000	
581-TAJB685K016	TAJB685K016R	6.8	B				2000	
581-TAJB106K016	TAJB106K016R	10	B				2000	
581-TAJC156K016	TAJC156K016R	15	C				500	
581-TAJD476K016	TAJD476K016R	47	D				500	
<b>20 Volt 10% Tolerance</b>								
581-TAJA105K020	TAJA105K020R	1.0	A				2000	
581-TAJA335K020	TAJA335K020R	3.3	A				2000	

For quantities of 500 and up, call for quote.

MOUSER STOCK NO.	AVX Part Number	Value (µF)	Case Size	Price Each			Tape and Reel	
				1	100	200	Qty.	Price Each
<b>20 Volt 10% Tolerance (Cont.)</b>								
581-TAJB475K020	TAJB475K020R	4.7	B				2000	
581-TAJC106K020	TAJC106K020R	10	C				500	
581-TAJD226K020	TAJD226K020R	22	D				500	
<b>25 Volt 10% Tolerance</b>								
581-TAJA474K025	TAJA474K025R	0.47	A				2000	
581-TAJA105K025	TAJA105K025R	1.0	A				2000	
581-TAJB225K025	TAJB225K025R	2.2	B				2000	
581-TAJC475K025	TAJC475K025R	4.7	C				500	
581-TAJC106K025	TAJC106K025R	10	C				500	
581-TAJV107K025	TAJV107K025R	100	V				400	
<b>35 Volt 10% Tolerance</b>								
581-TAJA104K035	TAJA104K035R	0.1	A				2000	
581-TAJA474K035	TAJA474K035R	0.47	A				2000	
581-TAJB105K035	TAJB105K035R	1.0	B				2000	
581-TAJB225K035	TAJB225K035R	2.2	B				2000	
581-TAJC225K035	TAJC225K035R	2.2	C				500	
581-TAJD475K035	TAJD475K035R	4.7	D				500	
581-TAJD106K035	TAJD106K035R	10	D				500	
<b>50 Volt 10% Tolerance</b>								
581-TAJA104K050	TAJA104K050R	0.1	A				2000	
581-TAJV226K050	TAJV226K050	22	V				400	