

PANASONIC Film Capacitors

RoHS Compliant This product is RoHS compliant.



METALLIZED POLYPROPYLENE FILM CAPACITORS

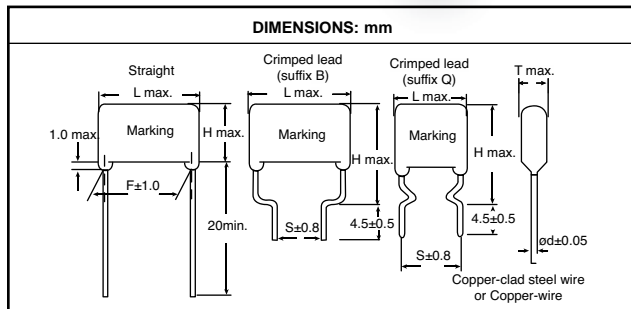
Designed for high frequency and current applications

Features:

- Small size
- Excellent frequency characteristics
- Low loss
- Low hum sound noise
- RoHS directive compliant

Recommended Applications:

- 250VDC: High frequency and current circuits
- 450VDC: Active filter circuits



ECW-F(A) Series

MOUSER STOCK NO.	Panasonic Part No.	Value (µF)	Dimensions										Price Each			
			L max	T max	H max			F	S		G max	ød	1	50	100	500
					Straight	Crimp lead (Suffix B)	Crimp lead (Suffix Q)		Crimp lead (Suffix B)	Crimp lead (Suffix Q)						
667-ECW-F2104JQAQ	ECW-F2104JQAQ	0.1	13.0	5.0	-	14.1	14.1	-	7.5	10.0	-	0.6				
667-ECW-F2124JQAQ	ECW-F2124JQAQ	0.12	13.0	5.3	-	14.4	14.4	-	7.5	10.0	-	0.6				
667-ECW-F2154JQAQ	ECW-F2154JQAQ	0.15	13.0	5.6	-	14.7	14.7	-	7.5	10.0	-	0.6				
667-ECW-F2184JQAQ	ECW-F2184JQAQ	0.18	13.0	5.9	-	15.1	15.1	-	7.5	10.0	-	0.6				
667-ECW-F2224JQAQ	ECW-F2224JQAQ	0.22	13.0	6.3	-	15.4	15.4	-	7.5	10.0	-	0.6				
667-ECW-F2274JQAQ	ECW-F2274JQAQ	0.27	13.0	6.8	-	15.9	15.9	-	7.5	10.0	-	0.6				
667-ECW-F2334JQAQ	ECW-F2334JQAQ	0.33	13.0	7.3	-	16.4	16.4	-	7.5	10.0	-	0.6				
667-ECW-F2394JQAQ	ECW-F2394JQAQ	0.39	13.0	7.8	-	16.9	16.9	-	7.5	10.0	-	0.6				
667-ECW-F2474JQAQ	ECW-F2474JQAQ	0.47	13.0	8.4	-	17.6	17.6	-	7.5	10.0	-	0.6				
667-ECW-F2564JQAQ	ECW-F2564JQAQ	0.56	18.1	6.9	-	16.4	18.4	-	7.5	15.0	-	0.8				
667-ECW-F2684JQAQ	ECW-F2684JQAQ	0.68	18.1	7.4	-	17.0	19.0	-	7.5	15.0	-	0.8				
667-ECW-F2824JQAQ	ECW-F2824JQAQ	0.82	18.1	8.0	-	17.6	19.6	-	7.5	15.0	-	0.8				
667-ECW-F2105JA	ECW-F2105JA	1.0	18.1	8.5	13.3	18.3	20.3	15.0	7.5	15.0	1.5	0.8				
667-ECW-F2125JA	ECW-F2125JA	1.2	18.8	9.5	14.6	19.6	21.6	15.0	7.5	15.0	1.5	0.8				
667-ECW-F2155JA	ECW-F2155JA	1.5	18.8	10.5	15.6	20.6	22.6	15.0	7.5	15.0	1.5	0.8				
667-ECW-F2185JA	ECW-F2185JA	1.8	18.8	11.4	16.5	21.5	23.5	15.0	7.5	15.0	1.5	0.8				
667-ECW-F2225JA	ECW-F2225JA	2.2	18.8	12.6	17.6	22.6	24.6	15.0	7.5	15.0	1.5	0.8				
667-ECW-F2275JA	ECW-F2275JA	2.7	23.8	11.4	17.2	22.2	24.2	20.0	12.5	20.0	1.5	0.8				
667-ECW-F2335JA	ECW-F2335JA	3.3	23.8	12.5	18.3	23.3	25.3	20.0	12.5	20.0	1.5	0.8				
667-ECW-F2395JA	ECW-F2395JA	3.9	23.8	13.5	19.3	24.3	26.3	20.0	12.5	20.0	1.5	0.8				
667-ECW-F2475JA	ECW-F2475JA	4.7	23.8	14.8	20.6	25.6	27.6	20.0	12.5	20.0	1.5	0.8				
667-ECW-F2565JA	ECW-F2565JA	5.6	23.8	16.2	21.9	26.9	28.9	20.0	12.5	20.0	1.5	0.8				
667-ECW-F2685JA	ECW-F2685JA	6.8	23.8	17.8	23.5	28.5	30.5	20.0	12.5	20.0	1.5	0.8				
667-ECW-F2W104JQAQ	ECW-F2W104JQAQ	0.1	13.0	5.1	-	14.3	14.3	-	7.5	10.0	-	0.6				
667-ECW-F2W124JQAQ	ECW-F2W124JQAQ	0.12	13.0	5.4	-	14.5	14.5	-	7.5	10.0	-	0.6				
667-ECW-F2W154JQAQ	ECW-F2W154JQAQ	0.15	13.0	5.7	-	14.9	14.9	-	7.5	10.0	-	0.6				
667-ECW-F2W184JQAQ	ECW-F2W184JQAQ	0.18	13.0	6.1	-	15.2	15.2	-	7.5	10.0	-	0.6				
667-ECW-F2W224JQAQ	ECW-F2W224JQAQ	0.22	13.0	6.5	-	15.6	15.6	-	7.5	10.0	-	0.6				
667-ECW-F2W274JQAQ	ECW-F2W274JQAQ	0.27	13.0	7.0	-	16.1	16.1	-	7.5	10.0	-	0.6				
667-ECW-F2W334JQAQ	ECW-F2W334JQAQ	0.33	13.0	7.6	-	16.7	16.7	-	7.5	10.0	-	0.6				
667-ECW-F2W394JQAQ	ECW-F2W394JQAQ	0.39	13.0	8.1	-	17.2	17.2	-	7.5	10.0	-	0.6				
667-ECW-F2W474JQAQ	ECW-F2W474JQAQ	0.47	13.0	8.7	-	17.9	17.9	-	7.5	10.0	-	0.6				
667-ECW-F2W105JA	ECW-F2W105JA	1.0	18.1	9.3	12.6	17.6	19.6	15.0	7.5	15.0	1.5	0.8				
667-ECW-F2W125JA	ECW-F2W125JA	1.2	18.8	9.7	14.7	19.7	21.7	15.0	7.5	15.0	1.5	0.8				
667-ECW-F2W155JA	ECW-F2W155JA	1.5	18.8	10.7	15.8	20.8	22.8	15.0	7.5	15.0	1.5	0.8				
667-ECW-F2W185JA	ECW-F2W185JA	1.8	18.8	11.6	16.7	21.7	23.7	15.0	7.5	15.0	1.5	0.8				
667-ECW-F2W225JA	ECW-F2W225JA	2.2	18.8	12.8	17.9	22.9	24.9	15.0	7.5	15.0	1.5	0.8				
667-ECW-F2W275JA	ECW-F2W275JA	2.7	26.3	10.6	16.5	21.5	23.5	22.5	15.0	22.5	1.5	0.8				
667-ECW-F2W335JA	ECW-F2W335JA	3.3	26.3	11.7	17.5	22.5	24.5	22.5	15.0	22.5	1.5	0.8				
667-ECW-F2W395JA	ECW-F2W395JA	3.9	26.3	12.6	18.4	23.4	25.4	22.5	15.0	22.5	1.5	0.8				
667-ECW-F2W475JA	ECW-F2W475JA	4.7	26.3	13.8	19.6	24.6	26.6	22.5	15.0	22.5	1.5	0.8				

METALLIZED POLYESTER FILM CAPACITORS

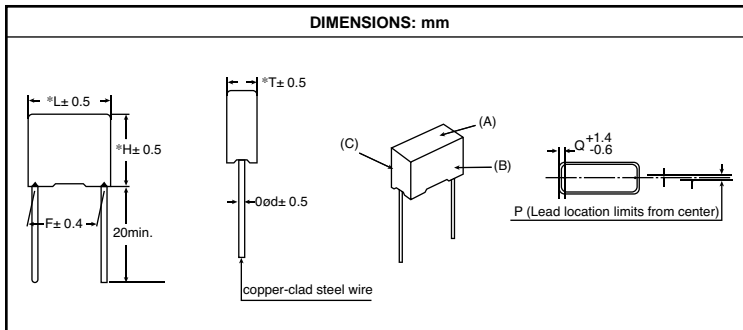
In accordance with UL/CSA and European safety regulation class X1

Features:

- Equipped with a safety mechanism
- Flame-retardant plastic case and non combustible resin
- RoHS directive compliant

Recommended Applications:

- Interference suppressors



ECQ-U(G) Class X1

MOUSER STOCK NO.	Panasonic Part No.	Value (µF)	Dimensions							Price Each			
			L	T	H	F	ød	P	Q	1	50	100	500
667-ECQ-U3A103MG	ECQ-U3A103MG	0.01	15	5	11.5	12.5	0.6	0±0.5	1.3				
667-ECQ-U3A104MG	ECQ-U3A104MG	0.10	15	8	15	12.5	0.6	0±0.5	1.3				
667-ECQ-U3A105MG	ECQ-U3A105MG	1.00	27	16.5	25.5	22.5	0.8	0±0.75	2.2				
667-ECQ-U3A153MG	ECQ-U3A153MG	0.015	15	5	11.5	12.5	0.6	0±0.5	1.3				
667-ECQ-U3A154MG	ECQ-U3A154MG	0.15	18	8	16.5	15	0.8	0±0.5	1.3				
667-ECQ-U3A223MG	ECQ-U3A223MG	0.022	15	5	11.5	12.5	0.6	0±0.5	1.3				
667-ECQ-U3A224MG	ECQ-U3A224MG	0.22	18	9	17.5	15	0.8	0±0.5	1.3				
667-ECQ-U3A333MG	ECQ-U3A333MG	0.033	15	6	13	12.5	0.6	0±0.5	1.3				
667-ECQ-U3A334MG	ECQ-U3A334MG	0.33	26	9	18.5	22.5	0.8	0±0.5	1.5				
667-ECQ-U3A473MG	ECQ-U3A473MG	0.047	15	6	13	12.5	0.6	0±0.5	1.3				
667-ECQ-U3A474MG	ECQ-U3A474MG	0.47	26	10.5	20	22.5	0.8	0±0.75	1.5				
667-ECQ-U3A683MG	ECQ-U3A683MG	0.068	15	8	15	12.5	0.6	0±0.5	1.3				
667-ECQ-U3A684MG	ECQ-U3A684MG	0.68	26	12.5	22	22.5	0.8	0±0.75	1.5				