

# TDK MLCC Ceramic Capacitors



RoHS Compliant This product is RoHS compliant.

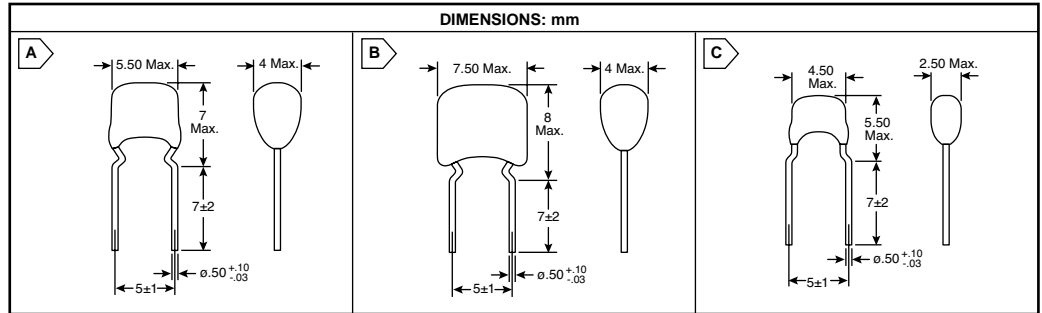
## TDK DIPPED RADIAL CERAMIC CAPACITORS

### Features:

- Due to the technological progress in creating thinner layers of ceramic dielectric and achieving multilayer lamination, this product provides large electrostatic capacity.
- It maintains a high level of reliability under specified environmental conditions.
- Its residual inductance is small and it provides good frequency characteristics.
- The leads are formed with a "kink" to achieve consistent insertion heights and facilitate the release of gases during soldering for dramatically improved solderability.
- Also available are products that meet taping specifications for automatic insertions, which contribute to reducing on-board costs.



RoHS Compliant



### FK Series

For quantities of 2000 and up, call for quote.

MOUSER STOCK NO.	Murata Part No.	Fig.	Value (pF)	Voltage (KVdc)	Tolerance (%)	Temperature Characteristics	Price Each			
							1	50	100	500
<b>FK 20 Series Cont.</b>										
810-FK20C0G2J562J	FK20C0G2J562J	A	5600pF	630	5%	C0G				
810-FK20C0G2J682J	FK20C0G2J682J	A	6800pF	630	5%	C0G				
810-FK20X5R0J226M	FK20X5R0J226M	A	22uF	6.3	20%	X5R				
810-FK20X5R1H225K	FK20X5R1H225K	A	2.2uF	50	10%	X5R				
810-FK20X7R1C106K	FK20X7R1C106K	A	10uF	16	10%	X7R				
810-FK20X7R1C106M	FK20X7R1C106M	A	10uF	16	20%	X7R				
810-FK20X7R1E225K	FK20X7R1E225K	A	2.2uF	25	10%	X7R				
810-FK20X7R1E475K	FK20X7R1E475K	A	4.7uF	25	10%	X7R				
810-FK20X7R1H105K	FK20X7R1H105K	A	1uF	50	10%	X7R				
810-FK20X7R2A334K	FK20X7R2A334K	A	0.33uF	100	10%	X7R				
810-FK20X7R2A474K	FK20X7R2A474K	A	0.47uF	100	10%	X7R				
810-FK20X7R2E104K	FK20X7R2E104K	A	0.1uF	250	10%	X7R				
810-FK20X7R2E154K	FK20X7R2E154K	A	0.15uF	250	10%	X7R				
810-FK20X7R2E224K	FK20X7R2E224K	A	0.22uF	250	10%	X7R				
810-FK20X7R2J683K	FK20X7R2J683K	A	0.068uF	630	10%	X7R				
810-FK20Y5V1A476Z	FK20Y5V1A476Z	A	47uF	10	+80-20%	Y5V				
810-FK20Y5V1C226Z	FK20Y5V1C226Z	A	22uF	16	+80-20%	Y5V				
810-FK20Y5V1E106Z	FK20Y5V1E106Z	A	10uF	25	+80-20%	Y5V				
810-FK20Y5V1H475Z	FK20Y5V1H475Z	A	4.7uF	50	+80-20%	Y5V				
<b>FK 22 Series</b>										
810-FK22C0G2A473J	FK22C0G2A473J	B	0.047uF	100	5%	C0G				
810-FK22C0G2A683J	FK22C0G2A683J	B	0.068uF	100	5%	C0G				
810-FK22C0G2A104J	FK22C0G2A104J	B	0.1uF	100	5%	C0G				
810-FK22C0G2E333J	FK22C0G2E333J	B	0.033uF	250	5%	C0G				
810-FK22C0G2J822J	FK22C0G2J822J	B	8200pF	630	5%	C0G				
810-FK22C0G2J153J	FK22C0G2J153J	B	0.015uF	630	5%	C0G				
810-FK22X5R1A476M	FK22X5R1A476M	B	47uF	10	20%	X5R				
810-FK22X7R1E475K	FK22X7R1E475K	B	4.7uF	25	10%	X7R				
810-FK22X7R1E106K	FK22X7R1E106K	B	10uF	25	10%	X7R				
810-FK22X7R1H225K	FK22X7R1H225K	B	2.2uF	50	10%	X7R				
810-FK22X7R2A684K	FK22X7R2A684K	B	0.68uF	100	10%	X7R				
810-FK22X7R2A105K	FK22X7R2A105K	B	1uF	100	10%	X7R				
810-FK22X7R2E154K	FK22X7R2E154K	B	0.15uF	250	10%	X7R				
810-FK22X7R2E224K	FK22X7R2E224K	B	0.22uF	250	10%	X7R				
810-FK22X7R2E334K	FK22X7R2E334K	B	0.33uF	250	10%	X7R				
810-FK22X7R2E474K	FK22X7R2E474K	B	0.47uF	250	10%	X7R				
810-FK22X7R2J683K	FK22X7R2J683K	B	0.068uF	630	10%	X7R				
810-FK22X7R2J104K	FK22X7R2J104K	B	0.1uF	630	10%	X7R				
810-FK22Y5V1C476Z	FK22Y5V1C476Z	B	47uF	16	+80-20%	Y5V				
810-FK22Y5V1E226Z	FK22Y5V1E226Z	B	22uF	25	+80-20%	Y5V				
810-FK22Y5V1H106Z	FK22Y5V1H106Z	B	10uF	50	+80-20%	Y5V				
<b>FK 24 Series</b>										
810-FK24C0G2A122J	FK24C0G2A122J	C	1200pF	100	5%	C0G				
810-FK24C0G2A152J	FK24C0G2A152J	C	1500pF	100	5%	C0G				
810-FK24C0G2A182J	FK24C0G2A182J	C	1800pF	100	5%	C0G				
810-FK24C0G2A222J	FK24C0G2A222J	C	2200pF	100	5%	C0G				
810-FK24C0G2A272J	FK24C0G2A272J	C	2700pF	100	5%	C0G				
810-FK24C0G2A332J	FK24C0G2A332J	C	3300pF	100	5%	C0G				
810-FK24C0G2A392J	FK24C0G2A392J	C	3900pF	100	5%	C0G				
810-FK24C0G2A472J	FK24C0G2A472J	C	4700pF	100	5%	C0G				
810-FK24C0G2E821J	FK24C0G2E821J	C	820pF	250	5%	C0G				
810-FK24C0G2E122J	FK24C0G2E122J	C	1200pF	250	5%	C0G				
810-FK24C0G2E152J	FK24C0G2E152J	C	1500pF	250	5%	C0G				
810-FK24C0G2E182J	FK24C0G2E182J	C	1800pF	250	5%	C0G				
810-FK24C0G2E272J	FK24C0G2E272J	C	2700pF	250	5%	C0G				
810-FK24X5R0J475K	FK24X5R0J475K	C	4.7uF	6.3	10%	X5R				
810-FK24X5R0J106K	FK24X5R0J106K	C	10uF	6.3	10%	X5R				
810-FK24X5R1A225K	FK24X5R1A225K	C	2.2uF	10	10%	X5R				
810-FK24X7R1C105K	FK24X7R1C105K	C	1uF	16	10%	X7R				
810-FK24X7R1C225K	FK24X7R1C225K	C	2.2uF	16	10%	X7R				
810-FK24X7R1E474K	FK24X7R1E474K	C	0.47uF	25	10%	X7R				
810-FK24X7R1E105K	FK24X7R1E105K	C	1uF	25	10%	X7R				
810-FK24X7R1H224K	FK24X7R1H224K	C	0.22uF	50	10%	X7R				
810-FK24X7R2A152K	FK24X7R2A152K	C	1500pF	100	10%	X7R				
810-FK24X7R2A332K	FK24X7R2A332K	C	3300pF	100	10%	X7R				
810-FK24X7R2A682K	FK24X7R2A682K	C	6800pF	100	10%	X7R				
810-FK24X7R2A153K	FK24X7R2A153K	C	0.015uF	100	10%	X7R				
810-FK24X7R2A333K	FK24X7R2A333K	C	0.033uF	100	10%	X7R				
810-FK24X7R2E152K	FK24X7R2E152K	C	1500pF	250	10%	X7R				
810-FK24X7R2E222K	FK24X7R2E222K	C	2200pF	250	10%	X7R				
810-FK24X7R2E332K	FK24X7R2E332K	C	3300pF	250	10%	X7R				
810-FK24X7R2E472K	FK24X7R2E472K	C	4700pF	250	10%	X7R				
810-FK24X7R2E682K	FK24X7R2E682K	C	6800pF	250	10%	X7R				
810-FK24X7R2E103K	FK24X7R2E103K	C	0.01uF	250	10%	X7R				
810-FK24X7R2E153K	FK24X7R2E153K	C	0.015uF	250	10%	X7R				
810-FK24Y5V1A106Z	FK24Y5V1A106Z	C	10uF	10	+80-20%	Y5V				
810-FK24Y5V1C475Z	FK24Y5V1C475Z	C	4.7uF	16	+80-20%	Y5V				
810-FK24Y5V1H105Z	FK24Y5V1H105Z	C	1uF	50	+80-20%	Y5V				