

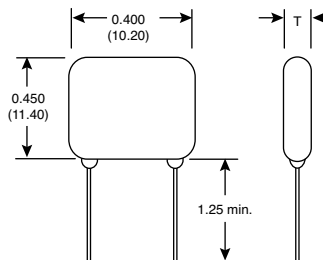
NOVACAP Leaded Ceramic Capacitors

NOVACAP RADIAL LEADED CAPACITORS

NOVACAP High Voltage Leaded Capacitors are available in COG and X7R characteristics. Conformal coating and lead mounting provide a rugged configuration for optimum for commercial/industrial use to 10 KV, with application in power supply and voltage multiplier circuits. Minimum voltage is 500 Vdc.

Specifications:

- Operating Temperature Range: -55°C to 125°C
- Insulations Resistance, 25°C: >100GΩ or >1000Ω F
- Dielectric Withstanding Voltage: 120% VDCW, or 750V.



For quantities of 200 and up, call for quote.

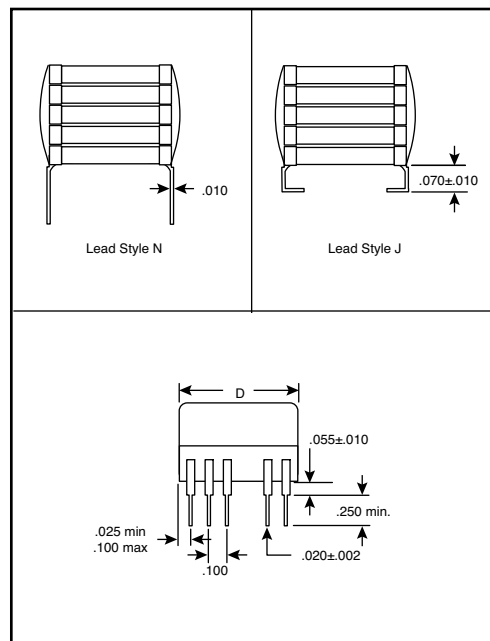
MOUSER STOCK NO.	Novacap Part No.	Dielectric	Value (pF)	Voltage	Tol	Thickness Max in. (mm)	Price Each		
							1	25	125
3530									
767-3530N512J102LE	3530N512J102LE	COG	5100	1000	5%	0.350 (8.89)			
767-3530B103K302LE	3530B103K302LE	X7R	0.01μF	3000	10%	0.350 (8.89)			

NOVACAP CAPACITOR ASSEMBLIES

NOVACAP capacitor assemblies with low equivalent series resistance (ESR) and low equivalent series inductance (ESL) are available in dielectric characteristics COG and X7R available for use in high power or high frequency applications, as replacement for tantalums and aluminum electrolytics. The leaded configurations safeguard the device against thermal and mechanical stresses, and are available in thru-hole as well as surface mount J style leads, and are bonded with high temperature solder. Applications include input and output filters in switch mode power supplies, high capacitance discharge circuits, and high temperature filtering/decoupling. Other sizes and voltages available upon request.

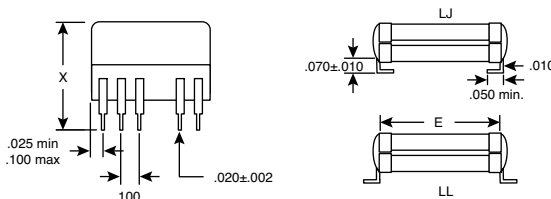
For quantities of 200 and up, call for quote.

MOUSER STOCK NO.	Novacap Part No.	Tol +/-	Dielectric	Value (μF)	Voltage	Lead Style	Width Max (D) in.	Price Each		
								1	10	100
767-87106-174	87106-174	10%	BX	0.15	500V	N	0.275			
767-87106-421	87106-421	10%	BX	0.15	500V	J	0.275			
767-87106-433	87106-433	10%	BX	0.47	500V	J	0.275			
767-87106-191	87106-191	10%	BX	1.0	500V	N	0.425			
767-87106-441	87106-441	10%	BX	1.0	500V	J	0.425			
767-87106-194	87106-194	20%	BX	1.2	500V	N	0.425			
767-87106-309	87106-309	10%	BX	1.5	100V	J	0.275			
767-87106-311	87106-311	10%	BX	1.8	100V	J	0.275			
767-87106-009	87106-009	10%	BX	2.2	50V	N	0.275			
767-87106-253	87106-253	10%	BX	3.3	50V	J	0.275			
767-87106-075	87106-075	10%	BX	4.7	100V	N	0.425			
767-87106-017	87106-017	10%	BX	4.7	50V	N	0.275			



NOVACAP STACKED CAPACITOR ASSEMBLIES

Novacap ST series provide the highest capacitance available, based on chip designs for general purpose use. The assemblies are 100% for Dielectric Withstanding Voltage, Insulation Resistance, Capacitance, and Dissipation Factor. The SM series are designed and tested for high reliability applications.



DIMENSIONS: in. (mm)		
Size	2425	3640
(E) Width	0.320 (8.13)	0.430 (10.90)
(X) Height	0.460 (11.68)	0.715 (18.20)

For quantities of 200 and up, call for quote.

MOUSER STOCK NO.	Novacap Part No.	Dielectric	Value (μF)	Voltage	Tol	Lead Type	Termination	Price Each		
								1	10	100
767-SM3640B305K500	SM3640B305K500LLXW-1	X7R	3	50	10%	Bent	SMD			
767-ST2425B305K101	ST2425B305K101LLXW-3	X7R	3	100	10%	Bent	SMD			