

KEMET Multilayer Ceramic Capacitors

The Capacitance Company
KEMET
CHARGED.

The Capacitance Company
KEMET
CHARGED.

CERAMIC "GOLDEN MAX" CONFORMAL COATED, RADIAL, C0G (NP0)

- Temperature characteristics: 0 ±30ppm/°C from -55°C to +125°C
- Epoxy encapsulated
- Meets flame test requirements of UL Standard 94V-0

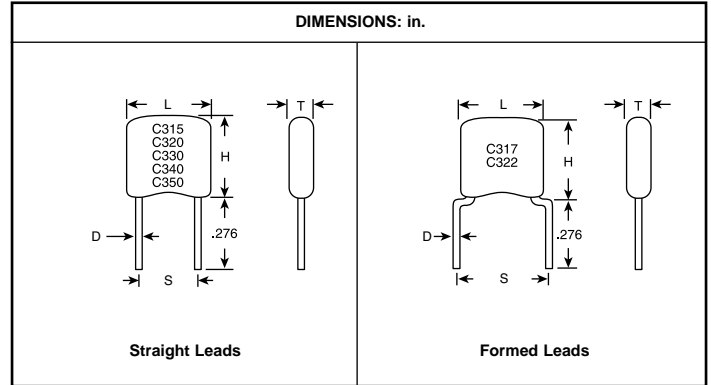
Also available in various lead formations, tolerances and packaging.
Please contact a Mouser Sales Representative for information.



RoHS Compliant

DIMENSIONS: in.

Case Size	L Max.	H Max.	T Max.	S (1)		D	
				±.030 (.76)		+.004 (.10)	-.001 (.76)
C315	.150 (3.81)	.210 (5.33)	.100 (2.54)	.100 (2.54)		.020 (.51)	
C317	.150 (3.81)	.230 (5.84)	.100 (2.54)	.200 (5.08)		.020 (.51)	
C320	.200 (5.08)	.260 (6.60)	.125 (3.18)	.100 (2.54)		.020 (.51)	
C322	.200 (5.08)	.260 (6.60)	.125 (3.18)	.200 (5.08)		.020 (.51)	
C323	.200 (5.08)	.320 (8.13)	.125 (3.18)	.200 (5.08)		.020 (.51)	
C330	.300 (7.62)	.360 (9.14)	.150 (3.81)	.200 (5.08)		.020 (.51)	
C340	.400 (10.16)	.460 (11.68)	.150 (3.81)	.200 (5.08)		.020 (.51)	
C350	.500 (12.70)	.560 (14.22)	.200 (5.08)	.400 (10.16)		.025 (.64)	



Ceramic Caps, Leaded

KEMET

C0G (NPO)

For quantities of 5000 and up, call for quote.

MOUSER STOCK NO.	KEMET Part Number	Value (pF)	Volt	Tol.±	Price Each				
					1	100	500	1000	2000
80-C315C229D2G	C315C229D2G5TA	2.2	200	0.5pF					
80-C315C279D2G	C315C279D2G5TA	2.7	200	0.5pF					
80-C315C479D2G	C315C479D2G5TA	4.7	200	0.5pF					
80-C315C569D2G	C315C569D2G5TA	5.6	200	0.5pF					
80-C315C689D2G	C315C689D2G5TA	6.8	200	0.5pF					
80-C315C100J1G	C315C100J1G5TA	10	100	5%					
80-C315C100J2G	C315C100J2G5TA	10	200	5%					
80-C317C100J2G	C317C100J2G5TA	10	200	5%					
80-C320C100J1G	C320C100J1G5TA	10	100	5%					
80-C322C100J2G	C322C100J2G5TA	10	200	5%					
80-C315C150J1G	C315C150J1G5TA	15	100	5%					
80-C315C150J2G	C315C150J2G5TA	15	200	5%					
80-C317C150J2G	C317C150J2G5TA	15	200	5%					
80-C315C180J1G	C315C180J1G5TA	18	100	5%					
80-C315C180J2G	C315C180J2G5TA	18	200	5%					
80-C317C180J2G	C317C180J2G5TA	18	200	5%					
80-C315C220J1G	C315C220J1G5TA	22	100	5%					
80-C317C220J2G	C317C220J2G5TA	22	200	5%					
80-C322C220J2G	C322C220J2G5TA	22	200	5%					
80-C315C270J2G	C315C270J2G5TA	27	200	5%					
80-C317C270J2G	C317C270J2G5TA	27	200	5%					
80-C322C270J2G	C322C270J2G5TA	27	200	5%					
80-C315C330J1G	C315C330J1G5TA	33	100	5%					
80-C315C330J2G	C315C330J2G5TA	33	200	5%					
80-C317C330J2G	C317C330J2G5TA	33	200	5%					
80-C322C330J2G	C322C330J2G5TA	33	200	5%					
80-C315C390J1G	C315C390J1G5TA	39	100	5%					
80-C315C390J2G	C315C390J2G5TA	39	200	5%					
80-C322C390J2G	C322C390J2G5TA	39	200	5%					
80-C315C470J1G	C315C470J1G5TA	47	100	5%					
80-C315C470J2G	C315C470J2G5TA	47	200	5%					
80-C322C470J2G	C322C470J2G5TA	47	200	5%					
80-C315C560J2G	C315C560J2G5TA	56	200	5%					
80-C317C560J2G	C317C560J2G5TA	56	200	5%					
80-C315C680J2G	C315C680J2G5TA	68	200	5%					
80-C315C680J1G	C315C680J1G5TA	68	100	5%					
80-C315C101J1G	C315C101J1G5TA	100	100	5%					
80-C317C101G2G	C317C101G2G5TA	100	200	2%					
80-C315C101J2G	C315C101J2G5TA	100	200	5%					
80-C317C101J2G	C317C101J2G5TA	100	200	5%					
80-C322C101J2G	C322C101J2G5TA	100	200	5%					
80-C315C121J1G	C315C121J1G5TA	120	100	5%					
80-C315C151J1G	C315C151J1G5TA	150	100	5%					
80-C315C151J2G	C315C151J2G5TA	150	200	5%					
80-C322C151J2G	C322C151J2G5TA	150	200	5%					
80-C315C181J1G	C315C181J1G5TA	180	100	5%					
80-C315C181J2G	C315C181J2G5TA	180	200	5%					
80-C317C181J1G	C317C181J1G5TA	180	100	5%					
80-C322C181J2G	C322C181J2G5TA	180	200	5%					
80-C315C221J1G	C315C221J1G5TA	220	100	5%					
80-C315C221J2G	C315C221J2G5TA	220	200	5%					
80-C317C221J1G	C317C221J1G5TA	220	100	5%					
80-C322C221J2G	C322C221J2G5TA	220	200	5%					
80-C322C271J2G	C322C271J2G5TA	270	200	5%					
80-C315C331J1G	C315C331J1G5TA	330	100	5%					
80-C315C331J2G	C315C331J2G5TA	330	200	5%					
80-C317C331J1G	C317C331J1G5TA	330	100	5%					
80-C320C331J1G	C320C331J1G5TA	330	100	5%					
80-C322C331J2G	C322C331J2G5TA	330	200	5%					
80-C315C391J1G	C315C391J1G5TA	390	100	5%					
80-C315C471J1G	C315C471J1G5TA	470	100	5%					

C0G (NPO) (Cont.)

For quantities of 5000 and up, call for quote.

MOUSER STOCK NO.	KEMET Part Number	Value (pF)	Volt	Tol.±	Price Each				
					1	100	500	1000	2000
80-C315C471J2G	C315C471J2G5TA	470	200	5%					
80-C317C471J2G	C317C471J2G5TA	470	200	5%					
80-C317C471J1G	C317C471J1G5TA	470	100	5%					
80-C322C471J1G	C322C471J1G5TA	470	100	5%					
80-C320C471J1G	C320C471J1G5TA	470	100	5%					
80-C322C471J2G	C322C471J2G5TA	470	200	5%					
80-C315C561J1G	C315C561J1G5TA	560	100	5%					
80-C317C561J1G	C317C561J1G5TA	560	100	5%					
80-C320C561J2G	C320C561J2G5TA	560	200	5%					
80-C315C681J1G	C315C681J1G5TA	680	100	5%					
80-C322C681J1G	C322C681J1G5TA	680	100	5%					
80-C322C681J2G	C322C681J2G5TA	680	200	5%					
80-C315C821J1G	C315C821J1G5TA	820	100	5%					
80-C322C821J1G	C322C821J1G5TA	820	100	5%					
80-C315C102F1G	C315C102F1G5TA	1000	100	1%					
80-C315C102G1G	C315C102G1G5TA	1000	100	2%					
80-C320C102G1G	C320C102G1G5TA	1000	100	2%					
80-C315C102J1G	C315C102J1G5TA	1000	100	5%					
80-C317C102J1G	C317C102J1G5TA	1000	100	5%					
80-C320C102J1G	C320C102J1G5TA	1000	100	5%					
80-C320C102J2G	C320C102J2G5TA	1000	200	5%					
80-C322C102J1G	C322C102J1G5TA	1000	100	5%					
80-C322C102J2G	C322C102J2G5TA	1000	200	5%					
80-C320C122J2G	C320C122J2G5TA	1200	200	5%					
80-C322C122J1G	C322C122J1G5TA	1200	100	5%					
80-C320C152J1G	C320C152J1G5TA	1500	100	5%					
80-C320C152J2G	C320C152J2G5TA	1500	200	5%					
80-C322C152J1G	C322C152J1G5TA	1500	100	5%					
80-C322C152J2G	C322C152J2G5TA	1500	200	5%					
80-C320C182J1G	C320C182J1G5TA	1800	100	5%					
80-C322C182J1G	C322C182J1G5TA	1800	100	5%					
80-C320C222J1G	C320C222J1G5TA	2200	100	5%					
80-C320C222J2G	C320C222J2G5TA	2200	200	5%					
80-C322C222J1G	C322C222J1G5TA	2200	100	5%					
80-C322C222J2G	C322C222J2G5TA	2200	200	5%					
80-C320C272J1G	C320C272J1G5TA	2700	100	5%					
80-C322C272J1G	C322C272J1G5TA	2700	100	5%					
80-C320C332J1G	C320C332J1G5TA	3300	100	5%					
80-C322C332F1G	C322C332F1G5TA	3300	100	1%					
80-C322C332J1G	C322C332J1G5TA	3300	100	5%					
80-C322C332J2G	C322C332J2G5TA	3300	200	5%					
80-C322C392J1G	C322C392J1G5TA	3900	100	5%					
80-C320C472J1G	C320C472J1G5TA	4700	100	5%					
80-C322C472J1G	C322C472J1G5TA	4700	100	5%					
80-C322C562J1G	C322C562J1G5TA	5600	100	5%					
80-C330C682J1G	C330C682J1G5TA	6800	100	5%					
80-C330C822F1G	C330C822F1G5TA	8200	100	1%					
80-C330C822J1G	C330C822J1G5TA	8200	100	5%					
80-C330C103F1G	C330C103F1G5TA	10000	100	1%					
80-C330C103J1G	C330C103J1G5TA	.01µF	100	5%					
80-C330C103J2G	C330C103J2G5TA	.01µF	200	5%					
80-C330C123J1G	C330C123J1G5TA	.012µF	100	5%					
80-C330C153J1G	C330C153J1G5TA	.015µF	100	5%					
80-C330C223J1G	C330C223J1G5TA	.022µF	100	5%					
80-C330C273J1G	C330C273J1G5TA	.027µF	100	5%					
80-C340C333J1G	C340C333J1G5TA	.033µF	100	5%					
80-C340C473J1G	C340C473J1G5TA	.047µF	100	5%					
80-C350C473J2G	C350C473J2G5TA	.047µF	200	5%					
80-C340C563J1G	C340C563J1G5TA	.056µF	100	5%					
80-C340C683J1G	C340C683J1G5TA	.068µF	100	5%					
80-C350C104J1G	C350C104J1G5TA	0.1µF	100	5%					