

AVX Tip and Ring MLCC

RoHS Compliant This product is RoHS compliant.

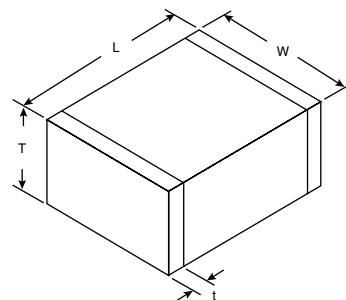


TIP AND RING MLCC

AVX "tip & ring" or "ring detector" multilayer ceramic chip capacitors are designed as a standard telecom filter to block -48 Volts DC telephone line voltage and pass subscriber's AC signal pulse (16 to 25Hz, 70 to 90Vrms). The ringer capacitors replace large leaded film capacitors and are ideal for telecom/modem applications. Using AVX "tip & ring" capacitors not only saves valuable real estate on the board and reduces the weight of overall product, but also features standard surface mounting capabilities, so critical to new and compact designs. The AVX "tip & ring" capacitors are offered in standard EIA sizes and standard values. They offer excellent high frequency performance, low ESR and improved temperature performance over film capacitors.

Specifications:

- Capacitance range: 1000pF to 1.2μF, (25°C, 1.0±0.2Vrms at 1kHz)
- Capacitance tolerances: ±10%, ±20%
- Dissipation factor: 2.5% max. (25°C, 1.0 ±0.2Vrms at 1kHz)
- Temperature characteristic: X7R ±15% (0VDC)
- Voltage rating: 250 VDC Telco rating
- Insulation resistance: (25°C, at 250VDC), 1000 megohm-microfarad min.
- Dielectric strength: Minimum 250% rated voltage for 5 seconds at 50mA max. current



* Reflow Soldering Only

Size	0805	1206	1210 *	1808 *	1812 *	1825 *	2220 *	2225 *
(L) Length	2.01±0.20 (0.079±0.008)	3.20±0.20 (0.126±0.008)	3.20±0.20 (0.126±0.008)	4.57±0.25 (0.180±0.010)	4.50±0.30 (0.177±0.012)	4.50±0.30 (0.177±0.012)	5.70±0.40 (0.224±0.016)	5.72±0.25 (0.225±0.010)
(W) Width	1.25±0.20 (0.049±0.008)	1.60±0.20 (0.063±0.008)	2.50±0.20 (0.098±0.008)	2.03±0.25 (0.080±0.010)	3.20±0.20 (0.126±0.008)	6.40±0.30 (0.252±0.012)	5.0±0.40 (0.197±0.016)	6.35±0.25 (0.25±0.010)
(T) Thickness	1.30 (0.051)	1.50 (0.059)	1.78 (0.070)	1.78 (0.070)	2.00 (0.080)	2.00 (0.080)	2.00 (0.080)	2.00 (0.080)
(t) Terminal	0.50±0.25 (0.020±0.010)	0.50±0.25 (0.020±0.010)	0.50±0.25 (0.020±0.010)	0.63±0.38 (0.025±0.010)	0.63±0.38 (0.025±0.010)	0.63±0.38 (0.025±0.010)	0.63±0.38 (0.025±0.010)	0.63±0.38 (0.025±0.010)



RoHS Compliant

Style 0805

For quantities of 4,000 and up, call for quote.

MOUSER STOCK NO.	AVX Part Number	Value (μF)	Tol.	Price Each				Reel Qty	Price Per Piece
				1	100	500	1000		
581-0805PC681K	0805PC681KAT1A	680pF	10%					2000	
581-0805PC102K	0805PC102KAT1A	1000pF	10%					2000	
581-0805PC122K	0805PC122KAT1A	1200pF	10%					2000	
581-0805PC152K	0805PC152KAT1A	1500pF	10%					2000	
581-0805PC182K	0805PC182KAT1A	1800pF	10%					2000	
581-0805PC192K	0805PC192KAT1A	1900pF	10%					2000	
581-0805PC222K	0805PC222KAT1A	2200pF	10%					2000	
581-0805PC392K	0805PC392KAT1A	3900pF	10%					2000	
581-0805PC472K	0805PC472KAT1A	4700pF	10%					2000	
581-0805PC562K	0805PC562KAT1A	5600pF	10%					2000	
581-0805PC682K	0805PC682KAT1A	6800pF	10%					2000	
581-0805PC822K	0805PC822KAT1A	8200pF	10%					2000	
581-0805PC103K	0805PC103KAT1A	0.01	10%					2000	
581-0805PC123K	0805PC123KAT1A	0.012	10%					2000	
581-0805PC153K	0805PC153KAT1A	0.015	10%					2000	
581-0805PC183K	0805PC183KAT1A	0.018	10%					2000	
581-0805PC223K	0805PC223KAT1A	0.023	10%					2000	

Style 1206

For quantities of 4,000 and up, call for quote.

MOUSER STOCK NO.	AVX Part Number	Value (μF)	Tol.	Price Each				Reel Qty	Price Per Piece
				1	100	500	1000		
581-1206PC102K	1206PC102KAT1A	1000pF	10%					2000	
581-1206PC332K	1206PC332KAT1A	3300pF	10%					2000	
581-1206PC472K	1206PC472KAT1A	4700pF	10%					2000	
581-1206PC822K	1206PC822KAT1A	8200pF	10%					2000	
581-1206PC103K	1206PC103KAT1A	0.01	10%					2000	
581-1206PC183K	1206PC183KAT1A	0.018	10%					2000	
581-1206PC223K	1206PC223KAT1A	0.022	10%					2000	
581-1206PC273K	1206PC273KAT1A	0.027	10%					2000	
581-1206PC333K	1206PC333KAT1A	0.033	10%					2000	
581-1206PC393K	1206PC393KAT1A	0.039	10%					2000	
581-1206PC473K	1206PC473KAT1A	0.047	10%					2000	
581-1206PC563K	1206PC563KAT1A	0.056	10%					2000	

Style 1210

For quantities of 4,000 and up, call for quote.

MOUSER STOCK NO.	AVX Part Number	Value (μF)	Tol.	Price Each				Reel Qty	Price Per Piece
				1	100	500	1000		
581-1210PC102K	1210PC102KAT1A	1000pF	10%					2000	
581-1210PC472K	1210PC472KAT1A	4700pF	10%					2000	
581-1210PC103K	1210PC103KAT1A	0.01	10%					2000	
581-1210PC333K	1210PC333KAT1A	0.033	10%					2000	
581-1210PC473K	1210PC473KAT1A	0.047	10%					2000	
581-1210PC683K	1210PC683KAT1A	0.068	10%					2000	
581-1210PC104K	1210PC104KAT1A	0.1	10%					2000	

Style 1808

For quantities of 4,000 and up, call for quote.

MOUSER STOCK NO.	AVX Part Number	Value (μF)	Tol.	Price Each				Reel Qty	Price Per Piece
				1	100	500	1000		
581-1808PC104KAT1A	1808PC104KAT1A	0.1	10%					2000	
581-1808PC224KAT1A	1808PC224KAT1A	0.22	10%					2000	

Style 1812

For quantities of 4,000 and up, call for quote.

MOUSER STOCK NO.	AVX Part Number	Value (μF)	Tol.	Price Each			Reel Qty	Price Per Piece
				1	100	500		
581-1812PC102K	1812PC102KAT1A	1000pF	10%				1000	
581-1812PC222K	1812PC222KAT1A	2200pF	10%				1000	
581-1812PC273K	1812PC273KAT1A	0.027	10%				1000	
581-1812PC333K	1812PC333KAT1A	0.033	10%				1000	
581-1812PC104K	1812PC104KAT1A	0.1	10%				1000	
581-1812PC124K	1812PC124KAT1A	0.12	10%				1000	
581-1812PC154K	1812PC154KAT1A	0.15	10%				1000	
581-1812PC184K	1812PC184KAT1A	0.18	10%				1000	
581-1812PC224K	1812PC224KAT1A	0.22	10%				1000	
581-1812PC274K	1812PC274KAT1A	0.27	10%				1000	
581-1812PC334K	1812PC334KAT1A	0.33	10%				1000	
581-1812PC394K	1812PC394KAT1A	0.39	10%				1000	
581-1812PC474K	1812PC474KAT1A	0.47	10%				1000	

Style 1825

For quantities of 4,000 and up, call for quote.

MOUSER STOCK NO.	AVX Part Number	Value (μF)	Tol.	Price Each			Reel Qty	Price Per Piece
				1	100	500		
581-1825PC334K	1825PC334KAT1A	0.33	10%				1000	
581-1825PC394K	1825PC394KAT1A	0.39	10%				1000	
581-1825PC474K	1825PC474KAT1A	0.47	10%				1000	
581-1825PC564K	1825PC564KAT1A	0.56	10%				1000	
581-1825PC684K	1825PC684KAT1A	0.68	10%				1000	
581-1825PC824K	1825PC824KAT1A	0.82	10%				1000	
581-1825PC105K	1825PC105KAT1A	1.0	10%				1000	

Style 2220

For quantities of 4,000 and up, call for quote.

MOUSER STOCK NO.	AVX Part Number	Value (μF)	Tol.	Price Each			Reel Qty	Price Per Piece
				1	100	500		
581-2220PC105K	2220PC105KAT1A	1.0	10%				1000	

Style 2225

For quantities of 4,000 and up, call for quote.

MOUSER STOCK NO.	AVX Part Number	Value (μF)	Tol.	Price Each			Reel Qty	Price Per Piece
				1	100	500		
581-2225PC334M	2225PC334MAT1A	0.33	10%				1000	
581-2225PC474K	2225PC474KAT1A	0.47	10%				1000	
581-2225PC564K	2225PC564KAT1A	0.56	10%				1000	
581-2225PC105K	2225PC105KAT1A	1.0	10%				1000	
581-2225PC105M	2225PC105MAT1A	1.0	10%				1000	
581-2225PC125K	2225PC125KAT1A	1.2	10%				1000	
581-2225PC125M	2225PC125MAT1A	1.2	10%				1000	