

CORNELL DUBILIER Aluminum Electrolytic Capacitors



This product is RoHS compliant.

CDE CORNELL DUBILIER SLP SERIES 105°C BEST VALUE SNAP-IN

Type SLP can operate at 105°C at rated voltage for 3000 hours. Best value package compared to the other snap-in series.

Specifications:

- Operating temperature: -40°C to 105°C (10VDC-250VDC)
-25°C to 105°C (160VDC-450VDC)
- Voltage range: 10VDC to 450VDC
- Capacitance range: 180µF to 56,000µF
- Capacitance tolerance: ±20%
- Leakage current: ≤3 µV (µA)

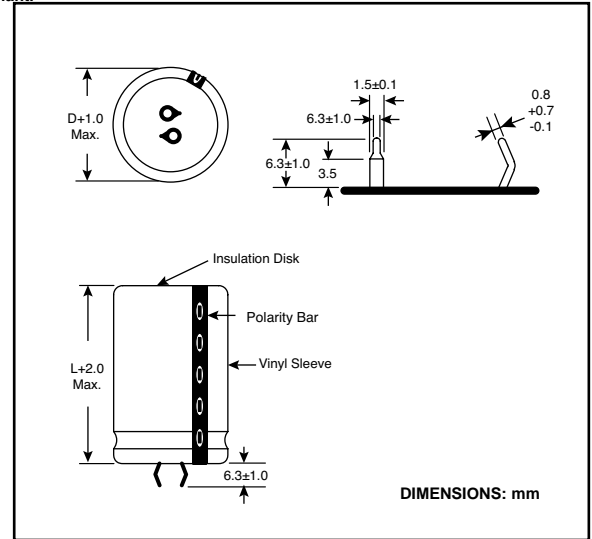


Features:

- 3000 h ripple load life at rated voltage
- Small case size with high capacitance
- Best for switching power supplies
- 22mm to 35mm diameter, 10mm lead spacing
- High ripple current
- Ripple current multipliers:

Ambient Temperature/Multiplier			
20 to 45°C	65°C	85°C	105°C
2.00	1.89	1.52	1.00

Voltage	Frequency/Multiplier			
	60Hz	120Hz	1kHz	10 kHz & Up
10-100Vdc	0.90	1.00	1.15	1.25
160-450Vdc	0.80	1.00	1.25	1.47



Aluminum Caps, Can

Cornell Dubilier



RoHS Compliant



RoHS Compliant

For quantities of 200 and up, call for quote.

For quantities of 200 and up, call for quote.

MOUSER STOCK NO.	VDC	Value (µF)	Ripple(A) @ 120Hz@85°C	Case D x L (mm)	Price Each			
					1	10	50	100
105°C								
598-SLP153M025C4P3	25	15000	3.6	25 x 45				
598-SLP103M035C7P3	35	10000	3.04	25 x 40				
598-SLP223M035H9P3	35	22000	5.48	35 x 50				
598-SLP472M035C1P3	35	4700	2.2	25 x 25				
598-SLP332M050C3P3	50	3300	2	25 x 30				
598-SLP472M050C5P3	50	4700	2.43	25 x 35				
598-SLP103M063H9P3	63	10000	5.11	35 x 50				
598-SLP222M063C3P3	63	2200	2	25 x 30				
598-SLP332M063E3P3	63	3300	2.5	30 x 30				
598-SLP682M063H7P3	63	6800	3.84	35 x 40				
598-SLP102M100C1P3	100	1000	1.45	25 x 25				
598-SLP222M100C4P3	100	2200	2.53	25 x 45				
598-SLP472M100H4P3	100	4700	3.8	35 x 45				
598-SLP681M100A1P3	100	680	1.09	22 x 25				
598-SLP102M160C4P3	160	1000	2.4	25 x 45				
598-SLP102M160E5P3	160	1000	2.25	30 x 35				
598-SLP122M160H3P3	160	1200	2.49	35 x 30				
598-SLP152M160E4P3	160	1500	2.84	30 x 45				
598-SLP152M160H5P3	160	1500	2.84	35 x 35				
598-SLP182M160E9P3	160	1800	3.32	30 x 50				
598-SLP182M160H7P3	160	1800	3	35 x 40				
598-SLP331M160A1P3	160	330	1.2	22 x 25				
598-SLP391M160A3P3	160	390	1.3	22 x 30				
598-SLP471M160A3P3	160	470	1.55	22 x 30				
598-SLP471M160C1P3	160	470	1.55	25 x 25				
598-SLP561M160A5P3	160	560	1.67	22 x 35				
598-SLP561M160C3P3	160	560	1.67	25 x 30				
598-SLP681M160A7P3	160	680	1.82	22 x 40				
598-SLP681M160C5P3	160	680	1.85	25 x 35				
598-SLP681M160E1P3	160	680	1.82	30 x 25				
598-SLP821M160A4P3	160	820	2.04	22 x 45				
598-SLP821M160C7P3	160	820	2.04	25 x 40				
598-SLP821M160E3P3	160	820	2.04	30 x 30				
598-SLP102M180C4P3	180	1000	2.3	25 x 45				
598-SLP102M180E5P3	180	1000	2.3	30 x 35				
598-SLP102M180H3P3	180	1000	2.3	35 x 30				
598-SLP122M180E7P3	180	1200	2.55	30 x 40				
598-SLP152M180E4P3	180	1500	2.9	30 x 45				
598-SLP152M180H7P3	180	1500	2.9	35 x 40				
598-SLP182M180H4P3	180	1800	3.3	35 x 45				
598-SLP222M180H9P3	180	2200	3.65	35 x 50				
598-SLP271M180A1P3	180	270	1	22 x 25				
598-SLP331M180A3P3	180	330	1.2	22 x 30				
598-SLP391M180A3P3	180	390	1.35	22 x 30				
598-SLP391M180C1P3	180	390	1.35	25 x 25				
598-SLP471M180A5P3	180	470	1.5	22 x 35				
598-SLP471M180C3P3	180	470	1.5	25 x 30				
598-SLP561M180A7P3	180	560	1.67	22 x 40				
598-SLP561M180C3P3	180	560	1.67	25 x 30				
598-SLP561M180E1P3	180	560	1.67	30 x 25				
598-SLP681M180A4P3	180	680	1.78	22 x 45				
598-SLP681M180C5P3	180	680	1.78	25 x 35				
598-SLP681M180E3P3	180	680	1.78	30 x 30				

MOUSER STOCK NO.	VDC	Value (µF)	Ripple(A) @ 120Hz@85°C	Case D x L (mm)	Price Each			
					1	10	50	100
105°C								
598-SLP821M180A9P3	180	820	2.04	22 x 50				
598-SLP821M180C7P3	180	820	2.04	25 x 40				
598-SLP821M180E3P3	180	820	2.04	30 x 30				
598-SLP102M200C9P3	200	1000	2.42	25 x 50				
598-SLP102M200E7P3	200	1000	2.3	30 x 40				
598-SLP102M200H5P3	200	1000	2.3	35 x 35				
598-SLP122M200E4P3	200	1200	2.65	30 x 45				
598-SLP122M200H3P3	200	1200	2.49	35 x 30				
598-SLP122M200H5P3	200	1200	2.65	35 x 35				
598-SLP152M200H7P3	200	1500	3.08	35 x 40				
598-SLP182M200H4P3	200	1800	3.48	35 x 45				
598-SLP182M200H7P3	200	1800	3.31	35 x 40				
598-SLP221M200A1P3	200	220	0.99	22 x 25				
598-SLP271M200A1P3	200	270	1.1	22 x 25				
598-SLP331M200A3P3	200	330	1.25	22 x 30				
598-SLP331M200C1P3	200	330	1.25	25 x 25				
598-SLP391M200C3P3	200	390	1.35	25 x 30				
598-SLP471M200A7P3	200	470	1.5	22 x 40				
598-SLP471M200C3P3	200	470	1.5	25 x 30				
598-SLP471M200C5P3	200	470	1.6	25 x 35				
598-SLP471M200E1P3	200	470	1.5	30 x 25				
598-SLP561M200A4P3	200	560	1.67	22 x 45				
598-SLP561M200C5P3	200	560	1.7	25 x 35				
598-SLP561M200E1P3	200	560	1.67	30 x 25				
598-SLP681M200A9P3	200	680	1.78	22 x 50				
598-SLP681M200C5P3	200	680	1.72	25 x 35				
598-SLP681M200C7P3	200	680	1.82	25 x 40				
598-SLP681M200E3P3	200	680	1.78	30 x 30				
598-SLP821M200C4P3	200	820	2.1	25 x 45				
598-SLP821M200H3P3	200	820	2.04	35 x 30				
598-SLP102M250E9P3	250	1000	2.7	30 x 50				
598-SLP102M250H7P3	250	1000	2.69	35 x 40				
598-SLP152M250H9P3	250	1500	3.61	35 x 50				
598-SLP181M250A1P3	250	180	0.88	22 x 25				
598-SLP181M250C1P3	250	180	0.95	25 x 25				
598-SLP221M250A3P3	250	220	1	22 x 30				
598-SLP221M250C1P3	250	220	1.08	25 x 25				
598-SLP271M250A5P3	250	270	1.18	22 x 35				
598-SLP331M250A3P3	250	330	1.15	22 x 30				
598-SLP331M250A7P3	250	330	1.3	22 x 40				
598-SLP331M250C3P3	250	330	1.3	25 x 30				
598-SLP331M250E1P3	250	330	1.35	30 x 25				
598-SLP391M250C5P3	250	390	1.49	25 x 35				
598-SLP471M250A9P3	250	470	1.65	22 x 50				
598-SLP471M250C7P3	250	470	1.65	25 x 40				
598-SLP471M250E3P3	250	470	1.65	30 x 30				
598-SLP561M250C4P3	250	560	1.8	25 x 45				
598-SLP561M250E5P3	250	560	1.8	30 x 35				
598-SLP681M250C9P3	250	680	2.03	25 x 50				
598-SLP681M250E7P3	250	680	2	30 x 40				
598-SLP681M250H3P3	250	680	2	35 x 30				
598-SLP821M250E4P3	250	820	2.3	30 x 45				
598-SLP821M250H5P3	250	820	2.3	35 x 35				