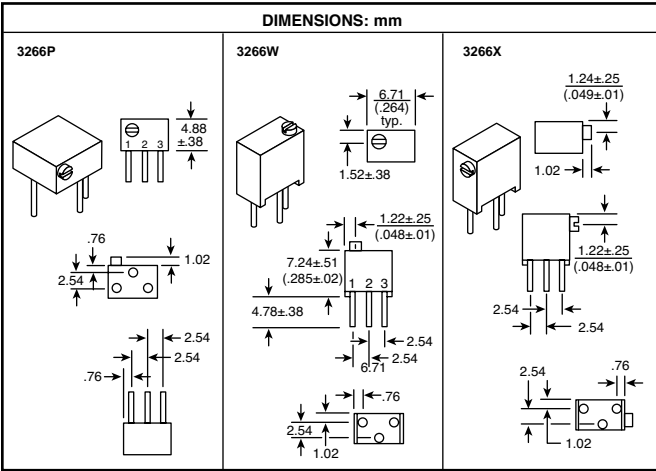


# BOURNS Multi-Turn Cermet Trimmer Potentiometers

BOURNS®

RoHS Compliant This product is RoHS compliant.

## BOURNS® 3266 SERIES 1/4" SQUARE/ 12 TURN/ SEALED



**Specifications:**

- Resistance tolerance: ±10% std.
- Power rating: 70°C - 0.25W; 150°C - 0W
- Temperature range: -55°C to +150°C
- Temperature coefficient: ±100ppm/°C

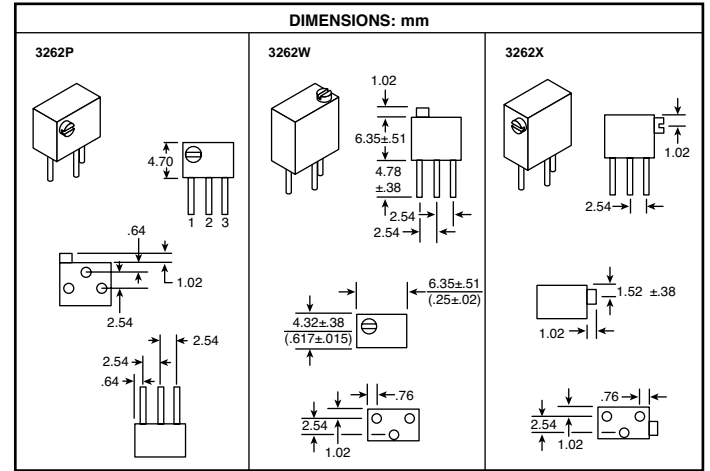


RoHS Compliant  
For quantities of 2,000 or more, call for quote.

Series No.	Price Each				
	1	10	50	100	500 1000
3266P, 3266W, 3266X					

Value (Ω)	3266P Series	3266W Series	3266X Series
	MOUSER STOCK NO.		
50	652-3266P-1-500LF	652-3266W-1-500LF	652-3266X-1-500LF
100	652-3266P-1-101LF	652-3266W-1-101LF	652-3266X-1-101LF
200	652-3266P-1-201LF	652-3266W-1-201LF	652-3266X-1-201LF
500	652-3266P-1-501LF	652-3266W-1-501LF	652-3266X-1-501LF
1K	652-3266P-1-102LF	652-3266W-1-102LF	652-3266X-1-102LF
2K	652-3266P-1-202LF	652-3266W-1-202LF	652-3266X-1-202LF
5K	652-3266P-1-502LF	652-3266W-1-502LF	652-3266X-1-502LF
10K	652-3266P-1-103LF	652-3266W-1-103LF	652-3266X-1-103LF
20K	652-3266P-1-203LF	652-3266W-1-203LF	652-3266X-1-203LF
25K	652-3266P-1-253LF	652-3266W-1-253LF	652-3266X-1-253LF
50K	652-3266P-1-503LF	652-3266W-1-503LF	652-3266X-1-503LF
100K	652-3266P-1-104LF	652-3266W-1-104LF	652-3266X-1-104LF
200K	652-3266P-1-204LF	652-3266W-1-204LF	652-3266X-1-204LF
500K	652-3266P-1-504LF	652-3266W-1-504LF	652-3266X-1-504LF
1M	652-3266P-1-105LF	652-3266W-1-105LF	652-3266X-1-105LF

## BOURNS® 3262 SERIES 1/4" SQUARE/ 12 TURN/ SEALED



**Specifications:**

- Resistance tolerance: ±10% std.
- Power rating: 85°C - 0.25W; 150°C - 0W
- Temperature range: -65°C to +150°C
- Temperature coefficient: ±100ppm/°C



RoHS Compliant

For quantities of 500 or more, call for quote.

**Features:**

- Listed on the QPL for style RJ26 per MIL-R-22097 and RJR26 per High-Rel MIL-R-39035
- Patent #4427966 drive mechanism

Series No.	Price Each			
	1	10	50	100
3262P, 3262W, 3262X				

Value (Ω)	3262P Series	3262W Series	3262X Series
	MOUSER STOCK NO.		
100	652-3262P-1-101LF	652-3262W-1-101LF	652-3262X-1-101LF
200	652-3262P-1-201LF	652-3262W-1-201LF	652-3262X-1-201LF
500	652-3262P-1-501LF	652-3262W-1-501LF	652-3262X-1-501LF
1K	652-3262P-1-102LF	652-3262W-1-102LF	652-3262X-1-102LF
2K	652-3262P-1-202LF	652-3262W-1-202LF	652-3262X-1-202LF
5K	652-3262P-1-502LF	652-3262W-1-502LF	652-3262X-1-502LF
10K	652-3262P-1-103LF	652-3262W-1-103LF	652-3262X-1-103LF
20K	652-3262P-1-203LF	652-3262W-1-203LF	652-3262X-1-203LF
25K	652-3262P-1-253LF	652-3262W-1-253LF	652-3262X-1-253LF
50K	652-3262P-1-503LF	652-3262W-1-503LF	652-3262X-1-503LF
100K	652-3262P-1-104LF	652-3262W-1-104LF	652-3262X-1-104LF
200K	652-3262P-1-204LF	652-3262W-1-204LF	652-3262X-1-204LF
250K	652-3262P-1-254LF	652-3262W-1-254LF	652-3262X-1-254LF
500K	652-3262P-1-504LF	652-3262W-1-504LF	652-3262X-1-504LF

## BOURNS® 3299 SERIES 3/8" SQUARE/ 25 TURN/ SEALED



RoHS Compliant

For quantities of 1,000 or more, call for quote.

**Specifications:**

- Resistance tolerance: ±10% std.
- Power rating: 70°C - 0.5W; 125°C - 0W
- Temperature range: -55°C to +125°C
- Temperature coefficient: ±100ppm/°C

Series No.	Price Each				
	1	10	50	100	500
3299P, 3299Z 3299W, X, Y					

Value (Ω)	3299P Series	3299W Series	3299X Series	3299Y Series	3299Z Series
	MOUSER STOCK NO.				
10	652-3299P-1-100LF	652-3299W-1-100LF	652-3299X-1-100LF	652-3299Y-1-100LF	652-3299Z-1-100LF
20	652-3299P-1-200LF	652-3299W-1-200LF	652-3299X-1-200LF	652-3299Y-1-200LF	652-3299Z-1-200LF
50	652-3299P-1-500LF	652-3299W-1-500LF	652-3299X-1-500LF	652-3299Y-1-500LF	652-3299Z-1-500LF
100	652-3299P-1-101LF	652-3299W-1-101LF	652-3299X-1-101LF	652-3299Y-1-101LF	652-3299Z-1-101LF
200	652-3299P-1-201LF	652-3299W-1-201LF	652-3299X-1-201LF	652-3299Y-1-201LF	652-3299Z-1-201LF
500	652-3299P-1-501LF	652-3299W-1-501LF	652-3299X-1-501LF	652-3299Y-1-501LF	652-3299Z-1-501LF
1K	652-3299P-1-102LF	652-3299W-1-102LF	652-3299X-1-102LF	652-3299Y-1-102LF	652-3299Z-1-102LF
2K	652-3299P-1-202LF	652-3299W-1-202LF	652-3299X-1-202LF	652-3299Y-1-202LF	652-3299Z-1-202LF
5K	652-3299P-1-502LF	652-3299W-1-502LF	652-3299X-1-502LF	652-3299Y-1-502LF	652-3299Z-1-502LF
10K	652-3299P-1-103LF	652-3299W-1-103LF	652-3299X-1-103LF	652-3299Y-1-103LF	652-3299Z-1-103LF
20K	652-3299P-1-203LF	652-3299W-1-203LF	652-3299X-1-203LF	652-3299Y-1-203LF	652-3299Z-1-203LF
25K	652-3299P-1-253LF	652-3299W-1-253LF	652-3299X-1-253LF	652-3299Y-1-253LF	652-3299Z-1-253LF
50K	652-3299P-1-503LF	652-3299W-1-503LF	652-3299X-1-503LF	652-3299Y-1-503LF	652-3299Z-1-503LF
100K	652-3299P-1-104LF	652-3299W-1-104LF	652-3299X-1-104LF	652-3299Y-1-104LF	652-3299Z-1-104LF
200K	652-3299P-1-204LF	652-3299W-1-204LF	652-3299X-1-204LF	652-3299Y-1-204LF	652-3299Z-1-204LF
250K	652-3299P-1-254LF	652-3299W-1-254LF	652-3299X-1-254LF	652-3299Y-1-254LF	652-3299Z-1-254LF
500K	652-3299P-1-504LF	652-3299W-1-504LF	652-3299X-1-504LF	652-3299Y-1-504LF	652-3299Z-1-504LF
1M	652-3299P-1-105LF	652-3299W-1-105LF	652-3299X-1-105LF	652-3299Y-1-105LF	652-3299Z-1-105LF
2M	652-3299P-1-205LF	652-3299W-1-205LF	652-3299X-1-205LF	652-3299Y-1-205LF	652-3299Z-1-205LF

