

# BOURNS Single-Turn Trimmer Potentiometers

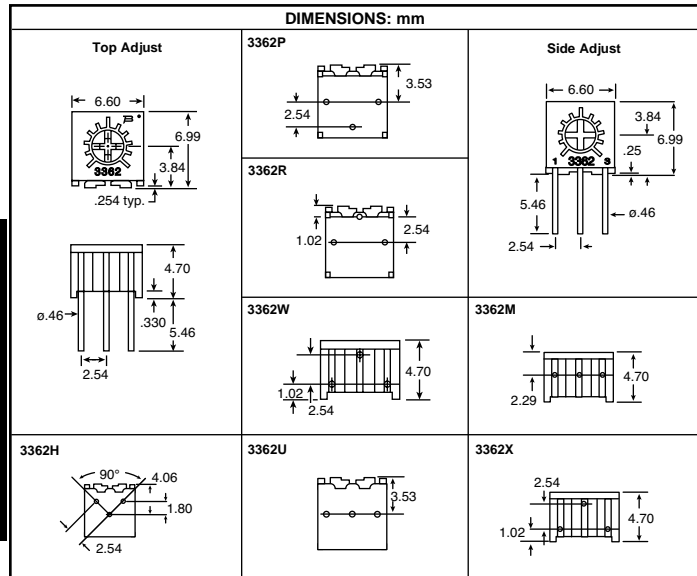
BOURNS®

RoHS Compliant This product is RoHS compliant.

## BOURNS 3362 SERIES 1/4" SQUARE/ INDUSTRIAL/ SEALED

## BOURNS 3386 SERIES 3/8" SQUARE/ INDUSTRIAL/ SEALED

Bourns Single-Turn Trimmers

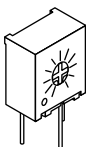


- Features:**
- Single turn / cermet / industrial / sealed
  - Miniature package
  - Rotor designed for automatic machine adjust interface
  - Withstands harsh environments and immersion cleaning processes
  - Available on tape and reel packaging

- Specification:**
- Resistance tolerance:  $\pm 10\%$  std. (tighter tolerance available)
  - Power rating: (300V max) 70°C - 0.50W; 125°C - 0W
  - Temperature range: -55°C to +125°C
  - Temperature coefficient:  $\pm 100\text{ppm}/^\circ\text{C}$
  - Rotational life: 200 cycles
  - Seal test: 85°C fluorimert
  - Marking: resistance code, terminal numbers, manufacturer's model number, style, and date code.



RoHS Compliant

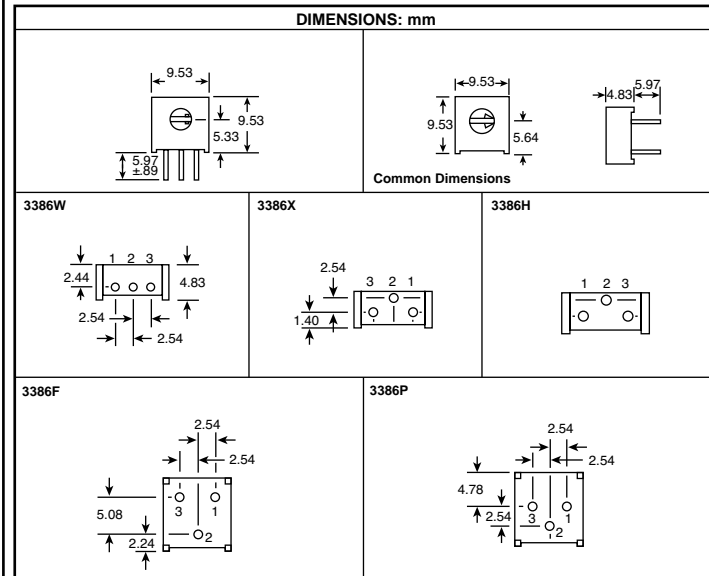


Series No.	Price Each						
	1	10	50	100	500	1000	+2000
3362H							Call for Quote
3362M							
3362P							
3362R							
3362U							
3362W							
3362X							

Value (Ω)	3362P Series	3362R Series	3362W Series
	MOUSER STOCK NO.		
100	652-3362P-1-101LF	652-3362R-1-101LF	652-3362W-1-101LF
200	652-3362P-1-201LF	652-3362R-1-201LF	652-3362W-1-201LF
500	652-3362P-1-501LF	652-3362R-1-501LF	652-3362W-1-501LF
1K	652-3362P-1-102LF	652-3362R-1-102LF	652-3362W-1-102LF
2K	652-3362P-1-202LF	652-3362R-1-202LF	652-3362W-1-202LF
5K	652-3362P-1-502LF	652-3362R-1-502LF	652-3362W-1-502LF
10K	652-3362P-1-103LF	652-3362R-1-103LF	652-3362W-1-103LF
20K	652-3362P-1-203LF	652-3362R-1-203LF	652-3362W-1-203LF
25K	652-3362P-1-253LF	652-3362R-1-253LF	652-3362W-1-253LF
50K	652-3362P-1-503LF	652-3362R-1-503LF	652-3362W-1-503LF
100K	652-3362P-1-104LF	652-3362R-1-104LF	652-3362W-1-104LF

Value (Ω)	3362H Series	3362M Series
	MOUSER STOCK NO.	
100	652-3362H-1-101LF	652-3362M-1-101LF
200	652-3362H-1-201LF	652-3362M-1-201LF
500	652-3362H-1-501LF	652-3362M-1-501LF
1K	652-3362H-1-102LF	652-3362M-1-102LF
2K	652-3362H-1-202LF	652-3362M-1-202LF
5K	652-3362H-1-502LF	652-3362M-1-502LF
10K	652-3362H-1-103LF	652-3362M-1-103LF
20K	652-3362H-1-203LF	652-3362M-1-203LF
25K	652-3362H-1-253LF	652-3362M-1-253LF
50K	652-3362H-1-503LF	652-3362M-1-503LF
100K	652-3362H-1-104LF	652-3362M-1-104LF

Value (Ω)	3362U Series	3362X Series
	MOUSER STOCK NO.	
100	652-3362U-1-101LF	652-3362X-1-101LF
200	652-3362U-1-201LF	652-3362X-1-201LF
500	652-3362U-1-501LF	652-3362X-1-501LF
1K	652-3362U-1-102LF	652-3362X-1-102LF
2K	652-3362U-1-202LF	652-3362X-1-202LF
5K	652-3362U-1-502LF	652-3362X-1-502LF
10K	652-3362U-1-103LF	652-3362X-1-103LF
20K	652-3362U-1-203LF	652-3362X-1-203LF
25K	652-3362U-1-253LF	652-3362X-1-253LF
50K	652-3362U-1-503LF	652-3362X-1-503LF
100K	652-3362U-1-104LF	652-3362X-1-104LF

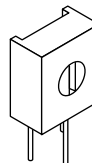


- Features:**
- Single turn / cermet / industrial / sealed
  - Available on tape and reel
  - Available with a knob for finger adjust
  - Available with extended shaft
  - Available with cross-slot rotor
  - Top and side adjust types (F, P, H, W, X, most popular)

- Specifications:**
- Resistance tolerance:  $\pm 10\%$  std. (tighter tolerance available)
  - Absolute minimum resistance: 2 Ω max.
  - Power rating: (300 volts max.) 85°C - 0.5 watt; 125°C - 0 watt
  - Temperature range: -55°C to +125°C
  - Temperature coefficient:  $\pm 100\text{ppm}/^\circ\text{C}$
  - Rotational life: 200 cycles



RoHS Compliant



Series No.	Price Each						
	1	10	50	100	500	1000	+2000
3386W							Call for Quote
3386F							
3386H							
3386P							
3386X							

Value (Ω)	3386W Series	3386F Series	3386H Series
	MOUSER STOCK NO.		
50	652-3386W-1-500LF	652-3386F-1-500LF	652-3386H-1-500LF
100	652-3386W-1-101LF	652-3386F-1-101LF	652-3386H-1-101LF
200	652-3386W-1-201LF	652-3386F-1-201LF	652-3386H-1-201LF
500	652-3386W-1-501LF	652-3386F-1-501LF	652-3386H-1-501LF
1K	652-3386W-1-102LF	652-3386F-1-102LF	652-3386H-1-102LF
2K	652-3386W-1-202LF	652-3386F-1-202LF	652-3386H-1-202LF
5K	652-3386W-1-502LF	652-3386F-1-502LF	652-3386H-1-502LF
10K	652-3386W-1-103LF	652-3386F-1-103LF	652-3386H-1-103LF
20K	652-3386W-1-203LF	652-3386F-1-203LF	652-3386H-1-203LF
25K	652-3386W-1-253LF	652-3386F-1-253LF	652-3386H-1-253LF
50K	652-3386W-1-503LF	652-3386F-1-503LF	652-3386H-1-503LF
100K	652-3386W-1-104LF	652-3386F-1-104LF	652-3386H-1-104LF
200K	652-3386W-1-204LF	652-3386F-1-204LF	652-3386H-1-204LF
250K	652-3386W-1-254LF	652-3386F-1-254LF	652-3386H-1-254LF
500K	652-3386W-1-504LF	652-3386F-1-504LF	652-3386H-1-504LF
1M	652-3386W-1-105LF	652-3386F-1-105LF	652-3386H-1-105LF
2M	652-3386W-1-205LF	652-3386F-1-205LF	652-3386H-1-205LF

Value (Ω)	3386P Series	3386X Series
	MOUSER STOCK NO.	
50	652-3386P-1-500LF	652-3386X-1-500LF
100	652-3386P-1-101LF	652-3386X-1-101LF
200	652-3386P-1-201LF	652-3386X-1-201LF
500	652-3386P-1-501LF	652-3386X-1-501LF
1K	652-3386P-1-102LF	652-3386X-1-102LF
2K	652-3386P-1-202LF	652-3386X-1-202LF
5K	652-3386P-1-502LF	652-3386X-1-502LF
10K	652-3386P-1-103LF	652-3386X-1-103LF
20K	652-3386P-1-203LF	652-3386X-1-203LF
25K	652-3386P-1-253LF	652-3386X-1-253LF
50K	652-3386P-1-503LF	652-3386X-1-503LF
100K	652-3386P-1-104LF	652-3386X-1-104LF
200K	652-3386P-1-204LF	652-3386X-1-204LF
250K	652-3386P-1-254LF	652-3386X-1-254LF
500K	652-3386P-1-504LF	652-3386X-1-504LF
1M	652-3386P-1-105LF	652-3386X-1-105LF
2M	652-3386P-1-205LF	652-3386X-1-205LF