

# Single-Turn Potentiometers

## VISHAY Spectrol 148-149 SERIES 1/2" SQUARE SINGLE-TURN

### General Specifications:

- Temperature: -20°C to +125°C
- PCB pins
- Electrical travel: 270°

### 149 Series:

- Cermet element
- Rational life: 50,000
- Power rating: 1W @ 85°C, derating to 0W @ 150°C

### 148 Series:

- Conductive plastic element
- Rational life: 100,000
- Power rating: 0.5W @ 70°C, derating to 0W @ 125°C

For quantities of 200 and up, call for quote.

MOUSER STOCK NO.	Vishay Part No.	Fig.	Value (Ω)	Tol. ±%	Price Each				
					1	10	25	50	100
<b>Conductive Plastic Shaft Dia.: 1/4", Shaft Length: 7/8"</b>									
594-148-7102	14810FAGJSX10102KA	A	1K	10					
594-148-7103	14810FAGJSX10103KA	A	10K	10					
594-148-7104	14810FAGJSX10104KA	A	100K	10					
<b>Conductive Plastic Shaft Dia.: 1/8", Shaft Length: 3/4"</b>									
594-148-1102	14810AABHSX10102KA	A	1K	10					
594-148-1502	14810AABHSX10502KA	A	5K	10					
594-148-1103	14810AABHSX10103KA	A	10K	10					
594-148-1503	14810AABHSX10503KA	A	50K	10					
594-148-1104	14810AABHSX10104KA	A	100K	10					
594-148-1105	14810AABHSX10105MA	A	1M	20					
<b>Cermet Shaft Dia.: 1/4", Shaft Length: 7/8"</b>									
594-149-7102	14910FAGJSX10102KA	B	1K	10					
594-149-7502	14910FAGJSX10502KA	B	5K	10					
594-149-7103	14910FAGJSX10103KA	B	10K	10					
594-149-7503	14910FAGJSX10503KA	B	50K	10					
594-149-7104	14910FAGJSX10104KA	B	100K	10					
<b>Cermet Shaft Dia.: 1/8", Shaft Length: 3/4"</b>									
594-149-1102	14910AABHSX10102KA	A	1K	10					
594-149-1502	14910AABHSX10502KA	A	5K	10					
594-149-1103	14910AABHSX10103KA	A	10K	10					
594-149-1503	14910AABHSX10503KA	A	50K	10					
594-149-1104	14910AABHSX10104KA	A	100K	10					

## VISHAY Spectrol 248-249 SERIES 1/2" SQUARE SINGLE-TURN

### General Specifications:

- Temperature: -55°C to +125°C
- Rotational life: 50,000
- PCB Pins
- Electrical travel: 265° ±5°

### Conductive Plastic:

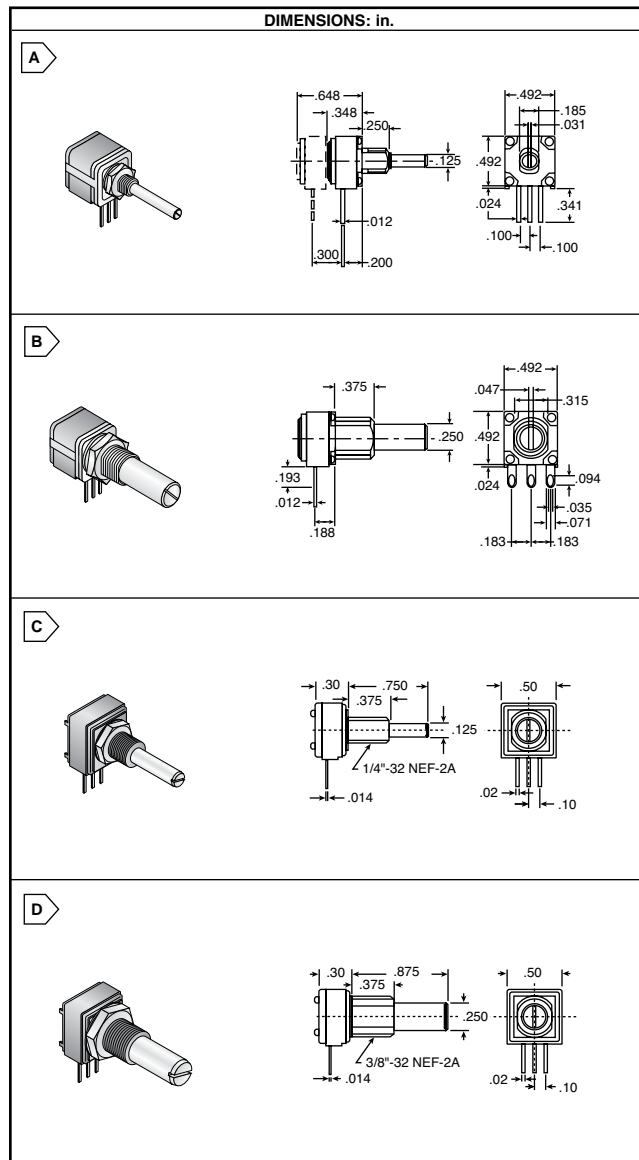
- Power rating: 0.5W @ 70°C, derating to 0W @ 125°C

### Cermet:

- Power rating: 1W @ 70°C, derating to 0W @ 125°C

For quantities of 200 and up, call for quote.

MOUSER STOCK NO.	Vishay Part No.	Fig.	Value (Ω)	Tolerance ±%	Price Each				
					1	10	25	50	100
<b>Conductive Plastic 1/8" Shaft Dia.</b>									
594-248-1102	248-8-08-102	C	1K	20					
594-248-1502	248-8-08-502	C	5K	20					
594-248-1103	248-8-08-103	C	10K	20					
594-248-1503	248-8-08-503	C	50K	20					
594-248-1104	248-8-08-104	C	100K	20					
<b>Cermet 1/4" Shaft Dia.</b>									
594-249-7102	249-9-10-102	D	1K	10					
594-249-7502	249-9-10-502	D	5K	10					
594-249-7103	249-9-10-103	D	10K	10					
594-249-7503	249-9-10-503	D	50K	10					
594-249-7104	249-9-10-104	D	100K	10					



## PIHER 16MM CARBON SINGLE-TURN POTENTIOMETERS

### PC16 Series

A completely insulated potentiometer. Made of autoextinguishable plastic UL94V-0. This modular design, which allows up to four potentiometers and a switch on a common shaft, is available in custom configurations by special order. Call any Mouser service representative for details.

### Specifications:

- Tolerance: ±20%
- Nominal power (40°C): 0.25W
- Nominal voltage: 500V
- Temperature range: -25°C to +70°C
- Linear taper
- Mechanical angle of rotation: 300°±5°
- Electrical angle of rotation: 280°±20°
- Switch contact rating: 1A @ 250V
- Solder lug terminals

For quantities of 100 and up, call for quote.

MOUSER STOCK NO.	Piher Part No.	Fig.	Price Each		
			1	25	50
531-PC16SC-1K	PC16SH07CP06102A2020TA	A			
531-PC16SC-10K	PC16SH07CP06103A2020TA	A			
531-PC16SC-100K	PC16SH07CP06104A2020TA	A			
531-PC16SC1A-10K	PC16SH07CP06103A2020CTA	B			
531-PC16SC1A-100K	PC16SH07CP06104A2020CTA	B			
531-PC16SC1A-500K	PC16SH07CP06504A2020CTA	B			
531-PC16DC-1K	PC16DH07CP06102A2020TA	C			
531-PC16DC-10K	PC16DH07CP06103A2020TA	C			
531-PC16DC-100K	PC16DH07CP06104A2020TA	C			
531-PC16DC-500K	PC16DH07CP06504A2020TA	C			

