

ALPHA PC Mount, Snap-in and Thumbwheel Potentiometers



ALPHA
DIMENSIONS: in.

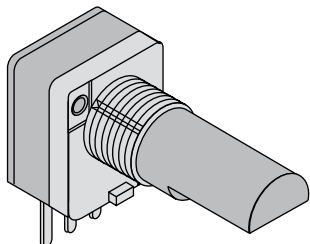
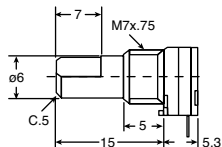
• Knobs for rotary potentiometers on this page are found in the electromechanical section.

7MM PC MOUNT POTENTIOMETERS

DIMENSIONS: mm

Specifications:

- Rated voltage: 100VAC
- Rated wattage: 0.05W
- Insulation resistance: 100MΩ @250 VDC
- Breakdown voltage: 300VAC for 1 minute
- Rotation angle: 300°±10°
- Rotation Torque: 10 to 150g/cm
- Rotational life: 15,000 cycles



RoHS Compliant

For quantities of 1,000 and up, call for quote.

MOUSER STOCK NO.	Taper	Value (Ω)	Price Each			
			1	50	100	500
311-701AF-Value	Audio	5K, 10K, 50K, 100K				
311-701BF-Value	Linear	5K, 10K, 50K, 100K				

9MM SNAP-IN POTENTIOMETERS

ALPHA

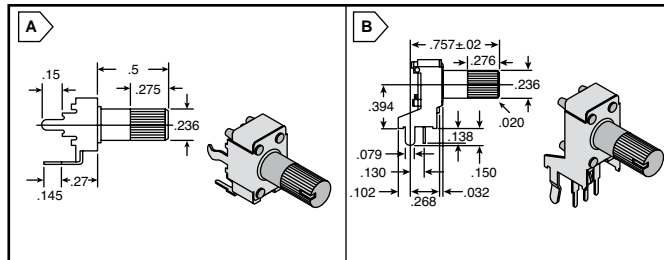
ALPHA
DIMENSIONS: in.



RoHS Compliant

Specifications:

- Tolerance: <1M: ±20%, ≥1M: ±30%
- Rated voltage: 50VAC
- Rated wattage: 0.1W
- Rotation angle: 280°±5°
- Rotational life: 10,000 cycles



Vertical Mount

For quantities of 1,000 and up, call for quote.

MOUSER STOCK NO.	Fig.	Taper	Value (Ω)	Price Each			
				1	10	100	500
317-2080F-Value	A	Audio	1K, 2K, 5K, 10K				
317-2090F-Value	A	Linear	50K, 100K, 500K, 1M				

Horizontal Mount

MOUSER STOCK NO.	Fig.	Taper	Value (Ω)	Price Each			
				1	10	100	500
317-2081F-Value	B	Audio	1K, 2K, 5K, 10K				
317-2091F-Value	B	Linear	50K, 100K, 500K, 1M				

9MM PC MOUNT LINEAR TAPER POTENTIOMETERS

ALPHA

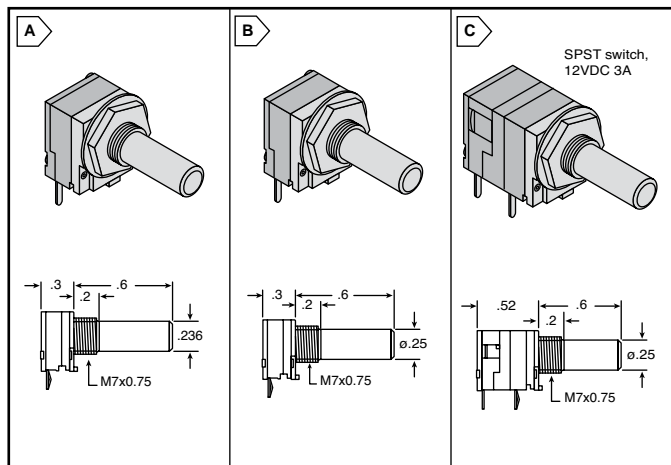
Electrical Specifications:

- Rated wattage: 0.05W
- Rated voltage: 50VAC

Mechanical Specifications:

- Rotation angle: 300°±5°
- Rotation torque: 20 to 250g/cm
- Tolerance: ±20%
- Insulation resistance: >100MΩ @ 250VDC
- Breakdown voltage: 300VAC for 1 minute

DIMENSIONS: in



RoHS Compliant

For quantities of 1,000 and up, call for quote.

MOUSER STOCK NO.	Fig.	Value (Ω)	Price Each			
			1	10	100	500
311-1901F-Value	A	1K, 5K, 10K, 50K, 100K				
311-1902F-Value	B	1K, 5K, 10K, 50K, 100K				
311-1903F-Value	C	1K, 5K, 10K, 50K, 100K				

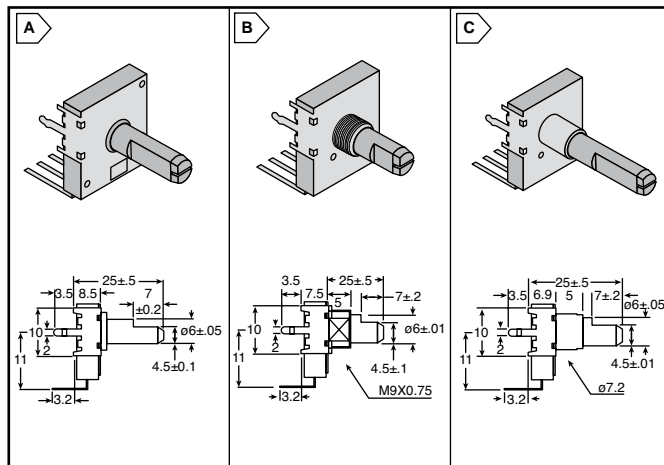
11MM SNAP-IN POTENTIOMETERS

ALPHA

Specifications:

- Tolerance: <1M ±20% ≥ 1M ±30%
- Rated voltage: 150V linear 100V audio
- Rated wattage: 0.08W linear 0.04W audio
- Rotational angle: 300° ± 5°
- Rotational life: 10,000 cycles

DIMENSIONS: mm



RoHS Compliant

Vertical Mount

For quantities of 1,000 and up, call for quote.

MOUSER STOCK NO.	Fig.	Taper	Value (Ω)	Price Each			
				1	10	100	500
317-2200F-Value	A	Linear	1K, 2K, 5K, 10K, 50K				
317-2201F-Value	B	Linear					
317-2202F-Value	C	Linear					
317-2100F-Value	A	Audio	100K, 500K, 1M				
317-2101F-Value	B	Audio					
317-2102F-Value	C	Audio					