

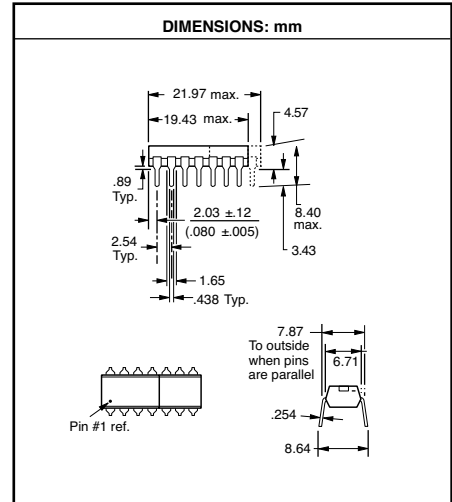
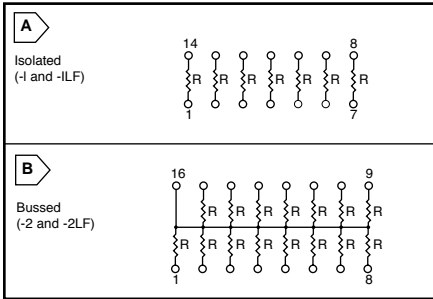
BOURNS 2% DIP Thick Film Resistor Networks



4100R SERIES

Specifications:

- Molded Construction
- Resistance range: 10Ω to 220KΩ
- Temperature coefficient: 50Ω to 2.2MΩ = ± 100 ppm/°C below 50Ω = ± 250 ppm/°C
- Resistor Tolerance: 10Ω to 49Ω = ±1%; 50Ω to 5MΩ = ±2%
- Package Power Rating at 70°C
 - 4114R: 2.00 watts
 - 4116R: 2.25 watts



For quantities of 2,000 and up, call for quote.

MOUSER STOCK NO.	Fig.	No. of Pins	Price Each				
			1	50	100	500	1000
652-4114R-1LF-Value	A	14					
652-4114R-2LF-Value	B	14					
652-4116R-1LF-Value	A	16					
652-4116R-2LF-Value	B	16					

Table of Standard Values (Ω)						
Other values available.						
10	120	390	1.5K	4.7K	18K	68K
22	150	470	1.8K	5.6K	22K	100K
33	180	560	2K	6.8K	27K	150K
39	220	680	2.2K	8.2K	33K	220K
47	270	1K	2.7K	10K	47K	
100	330	1.2K	3.3K	15K	56K	

Networks / Arrays

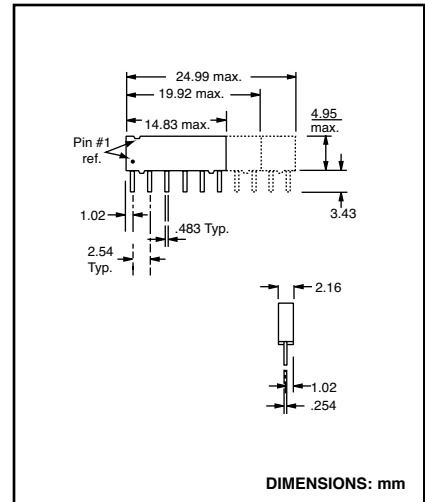
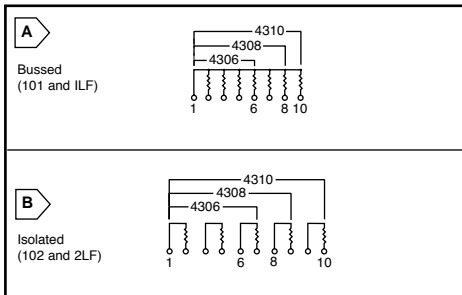
BOURNS 2% SIP Thick Film Resistor Networks



4300R SERIES

Specifications:

- Molded construction
- Resistance range: 10Ω to 1MΩ
- Temperature coefficient of resistance:
 - 50Ω to 1M = ± 100 ppm/°C
 - < 50Ω = ± 250 ppm/°C
 - > 1MΩ = ± 250 ppm/°C
- Resistor Tolerance:
 - 10 Ω to 49 Ω = ±1 ohm
 - 50 Ω to 5 MΩ = ±2%
- Package Power Rating at 70°C
 - 4306R: 0.75 watts
 - 4308R: 1.00 watts
 - 4310R: 1.25 watts



For quantities of 750 and up, call for quote.

MOUSER STOCK NO.	Fig.	No. of Pins	Price Each				
			1	35	140	350	700
652-4306R-1LF-Value	A	6					
652-4306R-2LF-Value	B	6					

For quantities of 750 and up, call for quote.

MOUSER STOCK NO.	Fig.	No. of Pins	Price Each				
			1	25	100	250	500
652-4308R-1LF-Value	A	8					
652-4308R-2LF-Value	B	8					
652-4310R-1LF-Value	A	10					
652-4310R-2LF-Value	B	10					

Table of Standard Values (Ω)						
Other values available.						
22	120	390	1.2K	3.3K	10K	33K 220K
39	150	470	1.5K	3.9K	12K	39K 470K
47	180	560	1.8K	4.7K	15K	47K 1M
56	220	680	2K	5.6K	20K	56K
68	270	820	2.2K	6.8K	22K	68K
100	330	1K	2.7K	8.2K	27K	100K

Also available in 9 and 11 pin configurations.

BOURNS 2% SIP Conformal Coated Resistor Networks



4600X SERIES

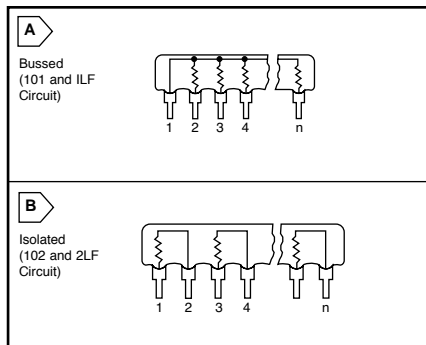
Specifications:

- Standard resistance range: 22Ω to 1MΩ
- Standard resistance tolerance:
 - 50Ω-5MΩ ±2% (<49Ω=1Ω)
- Operating temperature range: -55°C to +125°C
- Temperature coefficient of resistance:
 - ±100ppm/°C (<50Ω = ±250ppm/°C)
- Operating voltage: 100VDC max.
- Insulation resistance: 10,000MΩ min.
- Resistor Tolerance: 10Ω to 49Ω = ±1%; 50Ω to 5, MΩ = ±2%

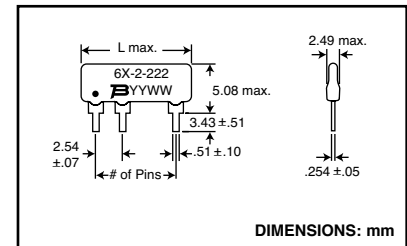


Features:

- Low profile is compatible with dips
- Ammono-pak packaging available
- Recommended for rosin flux, and solvent clean or no clean flux process



No. of Pins	6	8	10
"L" Max. (mm)	15.19	20.27	25.35



For quantities of 2,000 and up, call for quote.

MOUSER STOCK NO.	Fig.	No. of Pins	Price Each				
			1	50	100	500	1000
652-4606X-1LF-Value	A	6					
652-4606X-2LF-Value	B	6					
652-4608X-1LF-Value	A	8					
652-4608X-2LF-Value	B	8					
652-4610X-1LF-Value	A	10					
652-4610X-2LF-Value	B	10					

Table of Standard Values (Ω)						
22	82	330	1.2K	3.9K	15K	56K 270K
27	100	390	1.5K	4.7K	18K	68K 330K
33	120	470	1.8K	5.6K	20K	82K 390K
39	150	560	2K	6.8K	22K	100K 470K
47	180	680	2.2K	8.2K	27K	120K 560K
56	220	820	2.7K	10K	33K	150K 680K
68	270	1K	3.3K	12K	39K	180K 820K
					47K	220K 1M