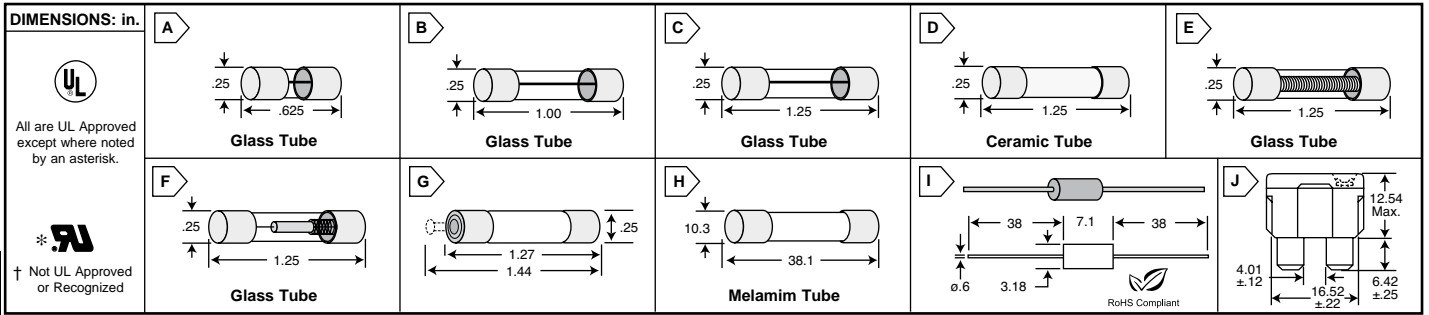


COOPER/BUSSMANN Fuses



1/4" X 5/8" FUSES

AGA Series Fast-Acting Fuses

For quantities of 1000 and up, call for quote.

MOUSER STOCK NO.	Fig.	Amp (A)	Volt (V)	Price Each		
				1	25	50
504-AGA-1/4	A	1/4	125			
504-AGA-3/8	A	3/8	125			
504-AGA-1/2	A	1/2	125			
504-AGA-3/4	A	3/4	125			
504-AGA-1	A	1	125			
504-AGA-1-1/2	A	1 1/2	125			
504-AGA-2	A	2	125			
504-AGA-2-1/2	A	2 1/2	125			
504-AGA-3	A	3	125			
504-AGA-5	A	5	125			
504-AGA-6	A	6	32			
504-AGA-7	A	7	32			
504-AGA-7-1/2	A	7 1/2	32			
504-AGA-10	A	10	32			
504-AGA-15	A	15	32			
504-AGA-20	A	20	32			
504-AGA-25	A	25	32			
504-AGA-30	A	30	32			

1/4" X 1-1/4" FUSES (CONT.)

ABC Series Fast-Acting Fuses

For quantities of 1000 and up, call for quote.

MOUSER STOCK NO.	Fig.	Amp (A)	Volt (V)	Price Each		
				1	25	50
504-ABC-2	D	2	250			
504-ABC-3	D	3	250			
504-ABC-5	D	5	250			
504-ABC-6	D	6	250			
504-ABC-8	D	8	250			
504-ABC-10	D	10	250			
504-ABC-12	D	12	250			
504-ABC-15	D	15	250			
504-ABC-20	D	20	250			
504-ABC-25	D	25	125			
504-ABC-30	D	30	125			

1/4" X 1-1/4" FUSES (CONT.)

MDA Series Time-Delay Fuses

For quantities of 1000 and up, call for quote.

MOUSER STOCK NO.	Fig.	Amp (A)	Volt (V)	Price Each		
				1	25	50
504-MDA-1	D	1	250			
504-MDA-2	D	2	250			
504-MDA-2-1/2	D	2 1/2	250			
504-MDA-3	D	3	250			
504-MDA-4	D	4	250			
504-MDA-5	D	5	250			
504-MDA-6-1/4	D	6 1/4	250			
504-MDA-7	D	7	250			
504-MDA-8	D	8	250			
504-MDA-10	D	10	250			
504-MDA-12	D	12	250			
504-MDA-15	D	15	250			
504-MDA-20	D	20	250			
504-MDA-30	D	30	250			

1/4" X 1" FUSES

AGX Series Fast-Acting Fuses

For instruments, electronic and small appliance circuits

For quantities of 1000 and up, call for quote.

MOUSER STOCK NO.	Fig.	Amp (A)	Volt (V)	Price Each		
				1	25	50
504-AGX-1/16	B	1/16	250			
504-AGX-1/8	B	1/8	250			
504-AGX-3/8	B	3/8	250			
504-AGX-1/4	B	1/4	250			
504-AGX-1/2	B	1/2	250			
504-AGX-1	B	1	250			
504-AGX1-1/2	B	1 1/2	250			
504-AGX-2	B	2	250			
504-AGX-3	B	3	125			
504-AGX-4	B	4	125			
504-AGX-5	B	5	125			
504-AGX10	B	10	32			
504-AGX-15	B	15	32			
504-AGX-20	B	20	32			

MDL Series Time-Delay Fuses

For quantities of 1000 and up, call for quote.

MOUSER STOCK NO.	Fig.	Amp (A)	Volt (V)	Price Each		
				1	25	50
504-MDL-1/16	E	1/16	250			
504-MDL-1/10	E	1/10	250			
504-MDL-3/16	E	3/16	250			
504-MDL-15/100	E	15/100	250			
504-MDL-1/8	E	1/8	250			
504-MDL-2/10	E	2/10	250			
504-MDL-1/4	E	1/4	250			
504-MDL-3/10	E	3/10	250			
504-MDL-4/10	E	4/10	250			
504-MDL-3/8	E	3/8	250			
504-MDL-8/10	E	8/10	250			
504-MDL-1/2	E	1/2	250			
504-MDL-6/10	E	6/10	250			
504-MDL-3/4	E	3/4	250			
504-MDL-1	E	1	250			
504-MDL-1-2/10	E	1 2/10	250			
504-MDL-1-1/4	E	1 1/4	250			
504-MDL-1-1/2	E	1 1/2	250			
504-MDL-1-6/10	E	1 6/10	250			
504-MDL-1-8/10	E	1 8/10	250			
504-MDL-2	E	2	250			
504-MDL-2-1/4	E	2 1/4	250			
504-MDL-2-1/2	E	2 1/2	250			
504-MDL-3	E	3	250			
504-MDL-3-2/10	E	3 2/10	250			
504-MDL-3-1/2	E	3 1/2	250			
504-MDL-4	E	4	250			
504-MDL-5	E	5	250			
504-MDL-6	E	6	250			
504-MDL-6-1/4	E	6 1/4	250			
504-MDL-7	E	7	250			
504-MDL-8	E	8	250			
504-MDL-10	E	10	32			
504-MDL-12A	E	12	32			
504-MDL-15	E	15	32			
504-MDL-20	E	20	32			
504-MDL-25	E	25	32			
504-MDL-30	E	30	32			

GLD Series Fast-Acting, Pin-Indicating/ Non Timing Delay Fuse

MOUSER STOCK NO.	Fig.	Amp (A)	Volt (V)	Price Each		
				1	25	50
504-GLD-1/2A	G	1/2	125			
504-GLD-1	G	1	125			
504-GLD-1-1/2	G	1 1/2	125			
504-GLD2	G	2	125			
504-GLD-3	G	3	125			
504-GLD-4	G	4	125			
504-GLD-5	G	5	125			
504-GLD-10	G	10	125			
504-GLD-12.0	G	12	125			
504-GLD-15	G	15	125			

13/32" X 1 1/2" FUSES

KTK Series Limitron® Fast-Acting Midget Fuses

MOUSER STOCK NO.	Fig.	Amp (A)	Volt (V)	Price Each		
				1	25	50
504-KTK1/2	H	1/2	600			
504-KTK-1	H	1	600			
504-KTK3	H	3	600			
504-KTK-5	H	5	600			
504-KTK-10	H	10	600			
504-KTK-15	H	15	600			
504-KTK-20	H	20	600			
504-KTK-25	H	25	600			
504-KTK-30	H	30	600			

1/4" X 1-1/4" FUSES

AGC Series Fast-Acting Fuses

For quantities of 1000 and up, call for quote.

MOUSER STOCK NO.	Fig.	Amp (A)	Volt (V)	Price Each		
				1	25	50
504-AGC-1/16	C	1/16	250			
504-AGC-1/8	C	1/8	250			
504-AGC-3/10	C	3/10	250			
504-AGC-1/4	C	1/4	250			
504-AGC-3/8	C	3/8	250			
504-AGC-1/2	C	1/2	250			
504-AGC-3/4	C	3/4	250			
504-AGC-8/10	C	8/10	250			
504-AGC-1	C	1	250			
504-AGC-1-1/4	C	1 1/4	250			
504-AGC-1-1/2	C	1 1/2	250			
504-AGC-2	C	2	250			
504-AGC-2-1/2	C	2 1/2	250			
504-AGC-3/16	C	3/16	250			
504-AGC-3	C	3	250			
504-AGC-3-1/2	C	3 1/2	250			
504-AGC-4	C	4	250			
504-AGC-5	C	5	250			
504-AGC-6	C	6	250			
504-AGC-7	C	7	250			
504-AGC-7-1/2	C	7 1/2	250			
504-AGC-8	C	8	250			
504-AGC-10	C	10	250			
504-AGC-15	C	15	32			
504-AGC-20	C	20	32			
504-AGC-25	C	25	32			
504-AGC-30	C	30	32			
504-AGC-35	C	35	32			

MCRW SERIES FUSES

Fast-Acting Axial Lead Fuses

• Subminiature size • Automatic insertion
• Hermetically sealed



MOUSER STOCK NO.	Fig.	Amp (A)	Volt (V)	Price Each		
				1	25	50
504-MCRW-125MA	I	1/8	125			
504-MCRW-250MA	I	1/4	125			
504-MCRW-500MA	I	1/2	125			
504-MCRW-1A	I	1	125			
504-MCRW-1-1/2A	I	1 1/2	125			
504-MCRW-2A	I	2	125			
504-MCRW-3A	I	3	125			
504-MCRW-4A	I	4	125			
504-MCRW-5A	I	5	125			
504-MCRW-10A	I	10	125			

ATC SERIES FUSES

Blade Type, Fast-Acting Fuses

MOUSER STOCK NO.	Fig.	Amp (A)	Volt (V)	Color	Price Each		
					1	25	50
504-ATC-1	J	1	32	Black			
504-ATC-2	J	2	32	Gray			
504-ATC-3	J	3	32	Violet			
504-ATC-4	J	4	32	Pink			
504-ATC-5	J	5	32	Tan			
504-ATC-7-1/2	J	7.5	32	Brown			
504-ATC-10	J	10	32	Red			
504-ATC-15	J	15	32	Blue			
504-ATC-20	J	20	32	Yellow			
504-ATC-25	J	25	32	Clear			
504-ATC-30	J	30	32	Green			
504-ATC-35	J	35	32	Blue/Green			
504-ATC-40	J	40	32	Amber			

MDQ SERIES Dual Element Time-Delay Fuses

For quantities of 1000 and up, call for quote.

MOUSER STOCK NO.	Fig.	Amp (A)	Volt (V)	Price Each		
				1	25	50
504-MDQ-2	F	2	250			
504-MDQ-3	F	3	250			
504-MDQ-4	F	4	250			
504-MDQ-5	F	5	250			
504-MDQ-6	F	6	250			