

VISHAY Transient Voltage Suppressors

RoHS Compliant This product is RoHS compliant.

VISHAY

VISHAY SMBJ SERIES 600 WATT (CONT.)

For quantities of 2000 and up, call for quote.

MOUSER STOCK NO.				Package	VBR @ It			VRWM (V)	IRSM (A) Max.	VRSM (V) Max.
Unidirectional		Bidirectional			(V) Min.	(V) Max.	(mA)			
Mfr. Part No.	Mfr. Part No.	Mfr. Part No.	Mfr. Part No.							
Surface Mount										
625-SMBJ12A-E3	625-SMBJ12CA-E3	DO-214AA	13.30	14.70	1	12.00	30.2	19.9		
625-SMBJ13A-E3	625-SMBJ13CA-E3	DO-214AA	14.40	15.90	1	13.00	27.9	21.5		
625-SMBJ14A-E3	625-SMBJ14CA-E3	DO-214AA	15.60	17.20	1	14.00	25.9	23.2		
625-SMBJ15A-E3	625-SMBJ15CA-E3	DO-214AA	16.70	18.50	1	15.00	24.6	24.4		
625-SMBJ16A-E3	625-SMBJ16CA-E3	DO-214AA	17.80	19.70	1	16.00	23.1	26.0		
625-SMBJ17A-E3	625-SMBJ17CA-E3	DO-214AA	18.90	20.90	1	17.00	21.7	27.6		
625-SMBJ18A-E3	625-SMBJ18CA-E3	DO-214AA	20.00	22.10	1	18.00	20.5	29.2		
625-SMBJ20A-E3	625-SMBJ20CA-E3	DO-214AA	22.20	24.50	1	20.00	18.5	32.4		
625-SMBJ22A-E3	625-SMBJ22CA-E3	DO-214AA	24.40	26.90	1	22.00	16.9	35.5		
625-SMBJ24A-E3	625-SMBJ24CA-E3	DO-214AA	26.70	29.50	1	24.00	15.4	38.9		
625-SMBJ26A-E3	625-SMBJ26CA-E3	DO-214AA	28.90	31.90	1	26.00	14.3	42.1		
625-SMBJ28A-E3	625-SMBJ28CA-E3	DO-214AA	31.10	34.40	1	28.00	13.2	45.4		
625-SMBJ30A-E3	625-SMBJ30CA-E3	DO-214AA	33.30	36.80	1	30.00	12.4	48.4		
625-SMBJ33A-E3	625-SMBJ33CA-E3	DO-214AA	36.70	40.60	1	33.00	11.3	53.3		
625-SMBJ36A-E3	625-SMBJ36CA-E3	DO-214AA	40.00	44.20	1	36.00	10.3	58.1		
625-SMBJ40A-E3	625-SMBJ40CA-E3	DO-214AA	44.40	49.10	1	40.00	9.3	64.5		
625-SMBJ43A-E3	625-SMBJ43CA-E3	DO-214AA	47.80	52.80	1	43.00	8.6	69.4		
625-SMBJ45A-E3	625-SMBJ45CA-E3	DO-214AA	50.00	55.30	1	45.00	8.3	72.7		
625-SMBJ48A-E3	625-SMBJ48CA-E3	DO-214AA	53.30	58.90	1	48.00	7.8	77.4		
625-SMBJ51A-E3	625-SMBJ51CA-E3	DO-214AA	56.70	62.70	1	51.00	7.3	82.4		
625-SMBJ54A-E3	625-SMBJ54CA-E3	DO-214AA	60.00	66.30	1	54.00	6.9	87.1		
625-SMBJ58A-E3	625-SMBJ58CA-E3	DO-214AA	64.40	71.20	1	58.00	6.4	93.6		
625-SMBJ60A-E3	625-SMBJ60CA-E3	DO-214AA	66.70	73.70	1	60.00	6.2	96.8		
625-SMBJ64A-E3	625-SMBJ64CA-E3	DO-214AA	71.10	78.60	1	64.00	5.8	103.0		
625-SMBJ70A-E3	625-SMBJ70CA-E3	DO-214AA	77.80	86.00	1	70.00	5.3	113.0		
625-SMBJ75A-E3	625-SMBJ75CA-E3	DO-214AA	83.30	92.10	1	75.00	5.0	121.0		
625-SMBJ78A-E3	625-SMBJ78CA-E3	DO-214AA	86.70	95.80	1	78.00	4.8	126.0		
625-SMBJ85A-E3	625-SMBJ85CA-E3	DO-214AA	94.40	104.00	1	85.00	4.4	137.0		
625-SMBJ90A-E3	625-SMBJ90CA-E3	DO-214AA	100.00	111.00	1	90.00	4.1	146.0		
625-SMBJ100A-E3	625-SMBJ100CA-E3	DO-214AA	111.00	123.00	1	100.00	3.7	162.0		
625-SMBJ110A-E3	625-SMBJ110CA-E3	DO-214AA	122.00	135.00	1	110.00	3.4	177.0		
625-SMBJ120A-E3	625-SMBJ120CA-E3	DO-214AA	133.00	147.00	1	120.00	3.1	193.0		
625-SMBJ130A-E3	625-SMBJ130CA-E3	DO-214AA	144.00	159.00	1	130.00	2.9	209.0		
625-SMBJ150A-E3	625-SMBJ150CA-E3	DO-214AA	167.00	185.00	1	150.00	2.5	243.0		
625-SMBJ160A-E3	625-SMBJ160CA-E3	DO-214AA	178.00	197.00	1	160.00	2.3	259.0		
625-SMBJ170A-E3	625-SMBJ170CA-E3	DO-214AA	189.00	209.00	1	170.00	2.2	275.0		
625-SMBJ188A-E3	625-SMBJ188CA-E3	DO-214AA	209.00	231.00	1	188.00	2.0	328.0		

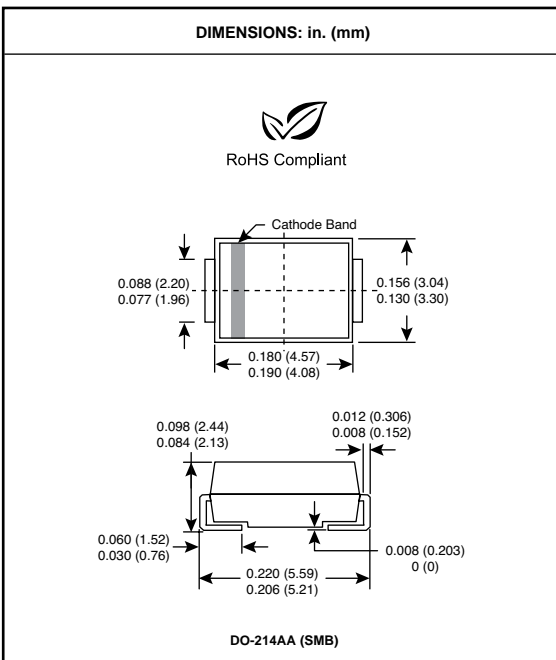
Series	Type	Voltage Range	Price Each			
			1	100	500	1000
SMBJ	Unidirectional	12 - 188				
SMBJ	Bidirectional	12 - 188				
SM6T	Unidirectional	6.8 - 7.5				
SM6T	Bidirectional	6.8 - 7.5				
SM6T	Unidirectional	10				
SM6T	Bidirectional	10				
SM6T	Unidirectional	12 - 220				
SM6T	Bidirectional	12 - 220				
SMCJ	Unidirectional	5.0 - 8.0				
SMCJ	Bidirectional	5.0 - 8.0				
SMCJ	Unidirectional	8.5 - 17				
SMCJ	Bidirectional	8.5 - 17				

Transient Protection

Vishay General Semiconductor

VISHAY SM6T SERIES 600 WATT

MOUSER STOCK NO.				Package	VBR @ It			VRWM (V)	IRSM (A) Max.	VRSM (V) Max.
Unidirectional		Bidirectional			(V) Min.	(V) Max.	(mA)			
Mfr. Part No.	Mfr. Part No.	Mfr. Part No.	Mfr. Part No.							
Surface Mount										
625-SM6T6V8A-E3	625-SM6T6V8CA-E3	DO-214AA	6.45	7.14	10	5.80	57.0	10.5		
625-SM6T7V5A-E3	625-SM6T7V5CA-E3	DO-214AA	7.13	7.88	10	6.40	53.0	11.3		
625-SM6T10A-E3	625-SM6T10CA-E3	DO-214AA	9.50	10.50	1	8.55	41.0	14.5		
625-SM6T12A-E3	625-SM6T12CA-E3	DO-214AA	11.40	12.60	1	10.20	36.0	16.7		
625-SM6T15A-E3	625-SM6T15CA-E3	DO-214AA	14.30	15.80	1	12.80	28.0	21.2		
625-SM6T18A-E3	625-SM6T18CA-E3	DO-214AA	17.10	18.90	1	15.30	24.0	25.2		
625-SM6T22A-E3	625-SM6T22CA-E3	DO-214AA	20.90	23.10	1	18.80	20.0	30.6		
625-SM6T24A-E3	625-SM6T24CA-E3	DO-214AA	22.80	25.20	1	20.50	18.0	33.2		
625-SM6T27A-E3	625-SM6T27CA-E3	DO-214AA	25.70	28.40	1	23.10	16.0	37.5		
625-SM6T30A-E3	625-SM6T30CA-E3	DO-214AA	28.50	31.50	1	25.60	14.5	41.5		
625-SM6T33A-E3	625-SM6T33CA-E3	DO-214AA	31.40	34.70	1	28.20	13.1	45.7		
625-SM6T36A-E3	625-SM6T36CA-E3	DO-214AA	34.20	37.80	1	30.80	12.0	49.9		
625-SM6T39A-E3	625-SM6T39CA-E3	DO-214AA	37.10	41.00	1	33.30	11.1	53.9		
625-SM6T68A-E3	625-SM6T68CA-E3	DO-214AA	64.60	71.40	1	58.10	6.5	92.0		
625-SM6T100A-E3	625-SM6T100CA-E3	DO-214AA	95.00	105.00	1	85.50	4.4	137.0		
625-SM6T150A-E3	625-SM6T150CA-E3	DO-214AA	143.00	158.00	1	128.00	2.9	207.0		
625-SM6T200A-E3	625-SM6T200CA-E3	DO-214AA	190.00	210.00	1	171.00	2.2	274.0		
625-SM6T220A-E3	625-SM6T220CA-E3	DO-214AA	209.00	231.00	1	188.00	2.0	328.0		



VISHAY SMCJ SERIES 1500 WATT

MOUSER STOCK NO.				Package	VBR @ It			VRWM (V)	IRSM (A) Max.	VRSM (V) Max.
Unidirectional		Bidirectional			(V) Min.	(V) Max.	(mA)			
Mfr. Part No.	Mfr. Part No.	Mfr. Part No.	Mfr. Part No.							
Surface Mount										
625-SMCJ5.0A-E3	625-SMCJ5.0CA-E3	DO-214AB	6.40	7.07	10	5.00	163.0	9.2		
625-SMCJ6.0A-E3	625-SMCJ6.0CA-E3	DO-214AB	6.67	7.37	10	6.00	145.6	10.3		
625-SMCJ6.5A-E3	625-SMCJ6.5CA-E3	DO-214AB	7.22	7.98	10	6.50	133.9	11.2		
625-SMCJ7.0A-E3	625-SMCJ7.0CA-E3	DO-214AB	7.78	8.60	10	7.00	125.0	12.0		
625-SMCJ7.5A-E3	625-SMCJ7.5CA-E3	DO-214AB	8.33	9.21	1	7.50	116.3	12.9		
625-SMCJ8.0A-E3	625-SMCJ8.0CA-E3	DO-214AB	8.89	9.83	1	8.00	110.3	13.6		
625-SMCJ8.5A-E3	625-SMCJ8.5CA-E3	DO-214AB	9.44	10.40	1	8.50	104.2	14.4		
625-SMCJ9.0A-E3	625-SMCJ9.0CA-E3	DO-214AB	10.00	11.10	1	9.00	97.4	15.4		
625-SMCJ10A-E3	625-SMCJ10CA-E3	DO-214AB	11.10	12.30	1	10.00	88.2	17.0		
625-SMCJ11A-E3	625-SMCJ11CA-E3	DO-214AB	12.20	13.50	1	11.00	82.4	18.2		
625-SMCJ12A-E3	625-SMCJ12CA-E3	DO-214AB	13.30	14.70	1	12.00	75.4	19.9		
625-SMCJ13A-E3	625-SMCJ13CA-E3	DO-214AB	14.40	15.90	1	13.00	69.8	21.5		
625-SMCJ14A-E3	625-SMCJ14CA-E3	DO-214AB	15.60	17.20	1	14.00	64.7	23.2		
625-SMCJ15A-E3	625-SMCJ15CA-E3	DO-214AB	16.70	18.50	1	15.00	61.5	24.4		
625-SMCJ16A-E3	625-SMCJ16CA-E3	DO-214AB	17.80	19.70	1	16.00	57.7	26.0		
625-SMCJ17A-E3	625-SMCJ17CA-E3	DO-214AB	18.90	20.90	1	17.00	54.3	27.6		

