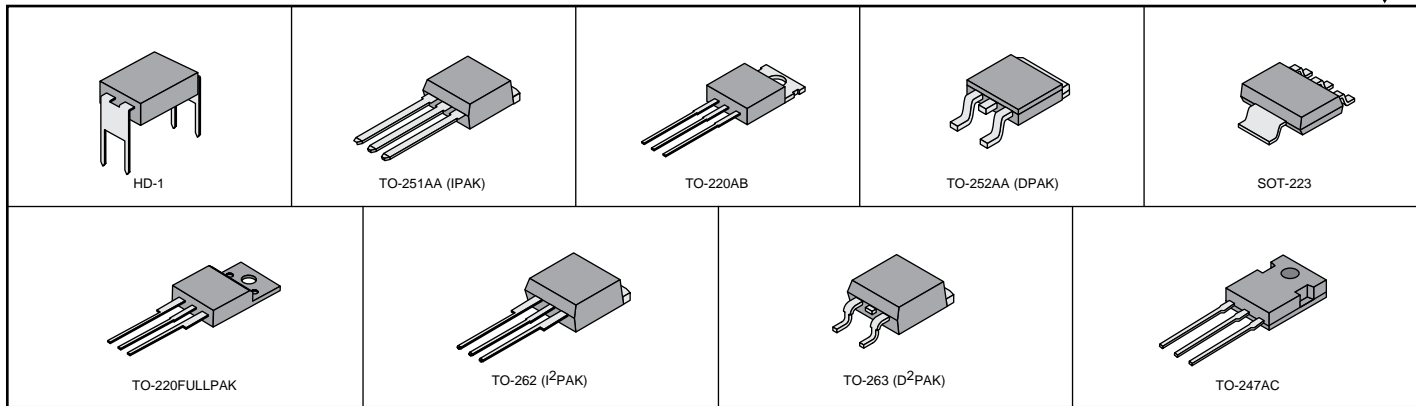


VISHAY Power MOSFETS

Products may be RoHS compliant. Check mouser.com for RoHS status.



P-CHANNEL MOSFETS (SINGLE CONFIGURATION)

◆ Surface Mount Device

For quantities of 1000 and up, call for quote.

MOUSER STOCK NO.	Vishay Part No.	Package	V _{DS} (Max)(V)	I _D (Max)(A)	I _{DM} (Max)(A)	R _{DS(on)} Max (Ω) @ V _{GS} =-10V	P _D (Max)(W)	Price Each				
								1	10	100	250	500
844-IRFD9010PBF	IRFD9010PBF	HD-1	-50	-1.1	-	-	-					
844-IRFR9010PBF	IRFR9010PBF	TO-252AA	-50	-5.3	-21	0.500	25					
844-IRFU9010PBF	IRFU9010PBF	TO-251AA	-50	-5.3	-	-	-					
844-IRF9Z20PBF	IRF9Z20PBF	TO-220AB	-50	-9.7	-	-	-					
844-IRFR9020PBF	IRFR9020PBF	TO-252AA	-50	-9.9	-40	0.26	42					
844-IRF9Z30PBF	IRF9Z30PBF	TO-220AB	-50	-18	-	-	-					
844-IRFD9014PBF	IRFU9010PBF	HD-1	-60	-1.1	-8.8	0.50	1.3					
844-IRFD9024PBF	IRFD9024PBF	HD-1	-60	-1.6	-13	0.28	1.3					
844-IRFD9020PBF	IRFD9020PBF	HD-1	-60	-1.6	-	-	-					
844-IRFL9014PBF	IRFL9014PBF	SOT-223	-60	-1.8	-14	0.50	3.1					
844-IRFR9014PBF	IRFR9014PBF	TO-252AA	-60	-5.1	-20	0.50	25					
844-IRFU9014PBF	IRFU9014PBF	TO-251AA	-60	-5.1	-20	0.50	25					
844-IRFI9Z14GPBF	IRFI9Z14GPBF	TO-220 FullPAK	-60	-5.3	-21	0.50	27					
844-IRF9Z10PBF	IRF9Z10PBF	TO-220AB	-60	-6.7	-27	0.50	43					
844-IRF9Z14PBF	IRF9Z14PBF	TO-220AB	-60	-6.7	-27	0.50	43					
844-IRF9Z14LPBF	IRF9Z14LPBF	TO-262	-60	-6.7	-27	0.50	3.7					
844-IRF9Z14SPBF	IRF9Z14SPBF	TO-263	-60	-6.7	-27	0.50	3.7					
844-IRFI9Z24GPBF	IRFI9Z24GPBF	TO-220 FullPAK	-60	-8.5	-34	0.28	37					
844-IRFR9024PBF	IRFR9024PBF	TO-252AA	-60	-8.8	-35	0.28	42					
844-IRFU9024PBF	IRFU9024PBF	TO-251AA	-60	-8.8	-35	0.28	42					
844-IRFU9020PBF	IRFU9020PBF	TO-251AA	-60	-8.8	-40	0.28	40					
844-IRF9Z24PBF	IRF9Z24PBF	TO-220AB	-60	-11	-44	0.28	60					
844-IRFI9Z34GPBF	IRFI9Z34GPBF	TO-220 FullPAK	-60	-12	-48	0.14	42					
844-IRF9Z34SPBF	IRF9Z34SPBF	TO-263	-60	-18	-72	0.14	88					
844-IRF9Z34PBF	IRF9Z34PBF	TO-220AB	-60	-18	-72	0.14	88					
844-IRFD9110PBF	IRFD9110PBF	HD-1	-100	-0.7	-5.6	1.20	1.3					
844-IRFD9120PBF	IRFD9120PBF	HD-1	-100	-1.0	-8.0	0.60	1.3					
844-IRFL9110PBF	IRFL9110PBF	SOT-223	-100	-1.1	-8.8	1.20	3.1					
844-IRFR9110PBF	IRFR9110PBF	TO-252AA	-100	-3.1	-12	1.20	25					
844-IRFU9110PBF	IRFU9110PBF	TO-251AA	-100	-3.1	-12	1.20	25					
844-IRF9510PBF	IRF9510PBF	TO-220AB	-100	-4.0	-16	1.20	43					
844-IRFI9520GPBF	IRFI9520GPBF	TO-220 FullPAK	-100	-5.2	-21	0.60	37					
844-IRFR9120PBF	IRFR9120PBF	TO-252AA	-100	-5.6	-22	0.60	42					
844-IRFU9120PBF	IRFU9120PBF	TO-251AA	-100	-5.6	-22	0.60	42					
844-IRF9520PBF	IRF9520PBF	TO-220AB	-100	-6.8	-27	0.60	60					
844-IRF9520SPBF	IRF9520SPBF	TO-263	-100	-6.8	-27	0.60	60					
844-IRFI9530GPBF	IRFI9530GPBF	TO-220 FullPAK	-100	-7.7	-31	0.30	42					
844-IRFI9540GPBF	IRFI9540GPBF	TO-220 FullPAK	-100	-11	-44	0.20	48					
844-IRF9530SPBF	IRF9530SPBF	TO-263	-100	-12	-48	0.30	88					
844-IRF9530PBF	IRF9530PBF	TO-220AB	-100	-12	-48	0.30	88					
844-IRF9540PBF	IRF9540PBF	TO-220AB	-100	-19	-72	0.20	150					
844-IRF9540SPBF	IRF9540SPBF	TO-263	-100	-19	-72	0.20	150					
844-IRFP9140PBF	IRFP9140PBF	TO-247AC	-100	-21	-84	0.20	180					
844-IRFD9210PBF	IRFD9210PBF	HD-1	-200	-0.4	-3.2	3.00	1.0					
844-IRFD9220PBF	IRFD9220PBF	HD-1	-200	-0.56	-4.5	1.50	1.0					
844-IRF9610PBF	IRF9610PBF	TO-220AB	-200	-1.8	-7.0	3.00	20					
844-IRF9610SPBF	IRF9610SPBF	TO-263	-200	-1.8	-7.0	3.00	20					
844-IRFR9210PBF	IRFR9210PBF	TO-252AA	-200	-1.9	-7.6	3.00	25					
844-IRFU9210PBF	IRFU9210PBF	TO-251AA	-200	-1.9	-7.6	3.00	25					
844-IRFI9610GPBF	IRFI9610GPBF	TO-220 FullPAK	-200	-2.0	-8.0	3.00	27					
844-IRFI9620GPBF	IRFI9620GPBF	TO-220 FullPAK	-200	-3.0	-12	1.50	30					
844-IRF9620SPBF	IRF9620SPBF	TO-263	-200	-3.5	-14	1.50	40					
844-IRF9620PBF	IRF9620PBF	TO-220AB	-200	-3.5	-14	1.50	40					
844-IRFR9220PBF	IRFR9220PBF	TO-252AA	-200	-3.6	-14	1.5	42					
844-IRFU9220PBF	IRFU9220PBF	TO-251AA	-200	-3.6	-14	1.50	42					
844-IRFI9630GPBF	IRFI9630GPBF	TO-220 FullPAK	-200	-4.3	-17	0.80	35					
844-IRFI9640GPBF	IRFI9640GPBF	TO-220 FullPAK	-200	-6.1	-24	0.50	40					
844-IRF9630SPBF	IRF9630SPBF	TO-263	-200	-6.5	-26	0.80	74					
844-IRF9630PBF	IRF9630PBF	TO-220AB	-200	-6.5	-26	0.80	74					
844-IRF9640PBF	IRF9640PBF	TO-220AB	-200	-11	-44	0.50	125					
844-IRF9640SPBF	IRF9640SPBF	TO-263	-200	-11	-44	0.50	125					
844-IRFP9240PBF	IRFP9240PBF	TO-247AC	-200	-12	-48	0.50	150					
844-IRFR9214PBF	IRFR9214PBF	TO-252AA	-250	-2.7	-11	3.00	50					
844-IRFU9214PBF	IRFU9214PBF	TO-251AA	-250	-2.7	-11	3.00	50					
844-IRFI9634GPBF	IRFI9634GPBF	TO-220 FullPAK	-250	4.1	-16	1.00	35					
844-IRFR9310PBF	IRFR9310PBF	TO-252AA	-400	-1.8	-7.2	7.00	50					
844-IRFU9310PBF	IRFU9310PBF	TO-251AA	-400	-1.8	-7.2	7.00	50					