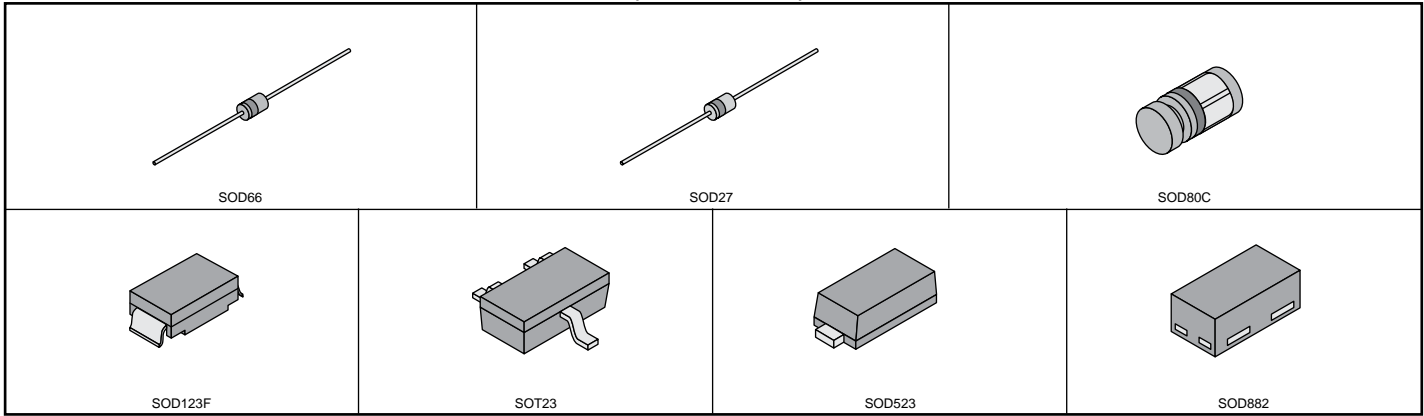


NXP SEMICONDUCTOR Diodes

RoHS Compliant This product is RoHS compliant.



For quantities of 250 and up, call for quote.

MOUSER STOCK NO.	NXP Part No.	Nom. Volt (V)	Test Curr. (mA)	Ptot (mW)	Price Each		
					1	25	100
1N47xxA Series Zener Diodes: SOD66 (DO41) tol 5%							
771-1N4733A-T/R	1N4733A	5.1	49	1000			
771-1N4734A-T/R	1N4734A	5.6	45	1000			
771-1N4735A-T/R	1N4735A	6.2	41	1000			
771-1N4739A-T/R	1N4739A	9.1	28	1000			
771-1N4740A-T/R	1N4740A	10	25	1000			
771-1N4742A-T/R	1N4742A	12	21	1000			
771-1N4743A-T/R	1N4743A	13	19	1000			
771-1N4744A-T/R	1N4744A	15	17	1000			
771-1N4745A-T/R	1N4745A	16	15.5	1000			
771-1N4746A-T/R	1N4746A	18	14	1000			
771-1N4749A-T/R	1N4749A	24	10.5	1000			
BZX79 Series Zener Diodes: SOD27 (DO35) tol 5% (also available in 2% tol)							
771-BZX79-C2V7-T/R	BZX79-C2V7	2.7	5	500			
771-BZX79-C3V3-T/R	BZX79-C3V3	3.3	5	500			
771-BZX79-C4V7-T/R	BZX79-C4V7	4.7	5	500			
771-BZX79-C5V1-T/R	BZX79-C5V1	5.1	5	500			
771-BZX79-C8V2-T/R	BZX79-C8V2	8.2	5	500			
771-BZX79-C11113	BZX79-C11113	11	5	500			
BZV55 Series Zener Diodes: SOD80C tol 5% (also available in 2% tol)							
771-BZV55-C3V6-T/R	BZV55-C3V6	3.6	5	500			
771-BZV55-C4V3-T/R	BZV55-C4V3	4.3	5	500			
771-BZV55-C4V7-T/R	BZV55-C4V7	4.7	5	500			
771-BZV55-C5V1-T/R	BZV55-C5V1	5.1	5	500			
771-BZV55-C5V6-T/R	BZV55-C5V6	5.6	5	500			
771-BZV55-C6V2-T/R	BZV55-C6V2	6.2	5	500			
771-BZV55-C10-T/R	BZV55-C10	10	5	500			
771-BZV55-C12-T/R	BZV55-C12	12	5	500			
771-BZV55-C36-T/R	BZV55-C36	36	5	500			
771-BZV55-C39-T/R	BZV55-C39	39	5	500			
771-BZV55-C47115	BZV55-C47115	47	5	500			
BZT52H Series Zener Diodes: SOD123F tol 5%							
771-BZT52H-C2V4-T/R	BZT52H-C2V4	2.4	5	830			
771-BZT52H-C3V0-T/R	BZT52H-C3V0	3.0	5	830			
771-BZT52H-C3V3-T/R	BZT52H-C3V3	3.3	5	830			
771-BZT52H-C3V6-T/R	BZT52H-C3V6	3.6	5	830			
771-BZT52H-C4V3-T/R	BZT52H-C4V3	4.3	5	830			
771-BZT52H-C4V7-T/R	BZT52H-C4V7	4.7	5	830			
771-BZT52H-C5V1-T/R	BZT52H-C5V1	5.1	5	830			
771-BZT52H-C5V6115	BZT52H-C5V6115	5.6	5	830			
771-BZT52H-C6V2-T/R	BZT52H-C6V2	6.2	5	830			
771-BZT52H-C6V8115	BZT52H-C6V8115	6.8	5	830			
771-BZT52H-C15115	BZT52H-C15115	15	5	830			
771-BZT52H-C51115	BZT52H-C51115	51	5	830			
771-BZT52H-C68115	BZT52H-C68115	68	5	830			
BZX84 Series Zener Diodes: SOT23 tol 5% (available in 1% and 2% tol)							
771-BZX84-C2V4-T/R	BZX84-C2V4	2.4	5	250			
771-BZX84-C2V7-T/R	BZX84-C2V7	2.7	5	250			
771-BZX84-C3V0-T/R	BZX84-C3V0	3.0	5	250			
771-BZX84-C3V3-T/R	BZX84-C3V3	3.3	5	250			
771-BZX84-C3V6-T/R	BZX84-C3V6	3.6	5	250			
771-BZX84-C3V9-T/R	BZX84-C3V9	3.9	5	250			
771-BZX84-C4V3-T/R	BZX84-C4V3	4.3	5	250			
771-BZX84-C4V7-T/R	BZX84-C4V7	4.7	5	250			

For quantities of 250 and up, call for quote.

MOUSER STOCK NO.	NXP Part No.	Nom. Volt (V)	Test Curr. (mA)	Ptot (mW)	Price Each		
					1	25	100
BZX84 Series Zener Diodes: SOT23 tol 5% (available in 1% and 2% tol) cont.							
771-BZX84-C5V1-T/R	BZX84-C5V1	5.1	5	250			
771-BZX84-C5V6-T/R	BZX84-C5V6	5.6	5	250			
771-BZX84-C6V2-T/R	BZX84-C6V2	6.2	5	250			
771-BZX84-C6V8-T/R	BZX84-C6V8	6.8	5	250			
771-BZX84-C7V5-T/R	BZX84-C7V5	7.5	5	250			
771-BZX84-C8V2-T/R	BZX84-C8V2	8.2	5	250			
771-BZX84-C9V1-T/R	BZX84-C9V1	9.1	5	250			
771-BZX84-C10-T/R	BZX84-C10	10	5	250			
771-BZX84-C11-T/R	BZX84-C11	11	5	250			
771-BZX84-C12-T/R	BZX84-C12	12	5	250			
771-BZX84-C13-T/R	BZX84-C13	13	5	250			
771-BZX84-C15-T/R	BZX84-C15	15	5	250			
771-BZX84-C16-T/R	BZX84-C16	16	5	250			
771-BZX84-C18-T/R	BZX84-C18	18	5	250			
771-BZX84-C20-T/R	BZX84-C20	20	5	250			
771-BZX84-C22-T/R	BZX84-C22	22	5	250			
771-BZX84-C24-T/R	BZX84-C24	24	5	250			
771-BZX84-C30-T/R	BZX84-C30	30	5	250			
771-BZX84-C33-T/R	BZX84-C33	33	5	250			
771-BZX84-C36-T/R	BZX84-C36	36	5	250			
771-BZX84-C43-T/R	BZX84-C43	43	5	250			
771-BZX84-C47-T/R	BZX84-C47	47	5	250			
771-BZX84-C51-T/R	BZX84-C51	51	5	250			
771-BZX84-C56-T/R	BZX84-C56	56	5	250			
771-BZX84-C62-T/R	BZX84-C62	62	5	250			
BZX585 Series Zener Diodes: SOD523 (SC79) tol 5% (also available in 2% tol)							
771-BZX585-C16-T/R	BZX585-C16	16	5	300			
771-BZX585-C18-T/R	BZX585-C18	18	5	300			
771-BZX585-C27-T/R	BZX585-C27	27	5	300			
771-BZX585-C33115	BZX585-C33115	33	5	300			
771-BZX585-C36-T/R	BZX585-C36	36	5	300			
771-BZX585-C43115	BZX585-C43115	43	5	300			
771-BZX585-C47115	BZX585-C47115	47	5	300			
771-BZX585-C56-T/R	BZX585-C56	56	5	300			
771-BZX585-C62115	BZX585-C62115	62	5	300			
771-BZX585-C68-T/R	BZX585-C68	68	5	300			
771-BZX585-C75-T/R	BZX585-C75	75	5	300			
BZX884 Series Zener Diodes: SOD882 tol 5% (also available in 2% tol)							
771-BZX884-C5V1315	BZX884-C5V1315	5.1	5	250			
771-BZX884-C6V2315	BZX884-C6V2315	6.2	5	250			
771-BZX884-C39315	BZX884-C39315	39	5	250			
771-BZV49-C2V4-T/R	BZV49-C2V4	2.4	5	1000			
771-BZV49-C12-T/R	BZV49-C12	12	5	1000			
771-BZV90-C10115	BZV90-C10115	10	5	1500			
771-BZV90-C18115	BZV90-C18115	18	5	1500			
771-PDZ2.4B-T/R	PDZ2.4B	2.43	2.63	5			
771-PDZ47B115	PDZ47B115	4.55	4.75	5			
771-PDZ5.1B-T/R	PDZ5.1B	4.96	5.2	5			
771-PDZ5.6B-T/R	PDZ5.6B	5.48	5.73	5			
771-PDZ82B115	PDZ82B115	8.02	8.36	5			
771-PDZ15B-T/R	PDZ15B	14.34	14.98	5			
771-PDZ18B-T/R	PDZ18B	17.56	18.35	5			
771-PDZ36B-T/R	PDZ36B	35.07	36.87	5			